



**SBI Clerk 05 Jun 2016**

All rights reserved. No part of this publication may be reproduced, distributed, or transmitted in any form or by any means, electronic, mechanical, photocopying, recording or otherwise, or stored in any retrieval system of any nature without the permission of cracku.in, application for which shall be made to [support@cracku.in](mailto:support@cracku.in)

## Instructions

Rearrange the given six sentences/group of sentences A, B, C, D, E and F in a proper sequence so as to form a meaningful paragraph and then answer the given questions.

- A. Anansi was just about to eat them when he noticed smoke in the distance. He learnt from the cassava that the smoke was from the town of rice.
- B. "Rice is much better than cassava!" Saying this Anansi promptly journeyed to the town of rice. When he reached there he noticed smoke in the distance. So he left the rice village and headed for the smoke, greedily thinking that he'd get something better.
- C. Alas, when he reached there he found it was his own village and he had no food for the villagers or himself. Greed had got him nowhere.
- D. He left his village to find food for his people and himself. After walking miles and miles he saw smoke from a distant village.
- E. Anansi, the spider was very unhappy. There was a drought and all his people were starving.
- F. When he reached, the only food he found was cassava. The cassava asked Anansi, "Would you like us roasted, fried or boiled?" Anansi told them that he did not have a particular choice and so they roasted themselves.

## Question 1

Which of the following should be the SIXTH (LAST) sentence after the rearrangement ?

- A A
- B B
- C C
- D E
- E F

Answer: C

## SBI Clerk Free Mock Test (Latest Pattern)

## Question 2

Which of the following should be the FIRST sentence after the rearrangement ?

- A A
- B B
- C D
- D E
- E F

Answer: D

## Question 3

Which of the following should be the FIFTH sentence after the rearrangement ?

- A A
- B B
- C C
- D E

E F

Answer: B

**Question 4**

Which of the following should be the **SECOND** sentence after the rearrangement ?

A A

B C

C D

D E

E F

Answer: C

## SBI Clerk Previous Papers (Download PDF)

**Question 5**

Which of the following should be the **THIRD** sentence after the rearrangement ?

A A

B C

C D

D E

E F

Answer: E

**Explanation:**

EndGroup:

**Instructions**

Read each of the following sentences to find out whether there is any grammatical error in it. The error, if any, will be in one part of the sentence. Select the part with the error as your answer. If there is no error, select 'No error' as your answer. (Ignore the errors of punctuation, if any)

**Question 6**

It seems like that I(a) am the most(b) beautiful girl on(c)this planet.(d) No error(e)

A It seems like that I

B am the most

C beautiful girl on

D this planet

E No error

Answer: A

**Question 7**

Whoever covers the longer distance: a/ and returns home before sunset: b/ will get wealth in proportionate to: c/ the distance they cover. d: No error:

- A Whoever covers the longer distance
- B and returns home before sunset
- C will get wealth in proportionate to
- D the distance they cover
- E No error

**Answer: D**

**Free Banking Study Material (15,000 Solved Questions)**

**Question 8**

Shyam realised: a/ his mistake and b:/ recognised the importance: c:/ of practicality in life. d: No error:

- A Shyam realised
- B his mistake and
- C recognised the importance
- D of practicality in life
- E No error

**Answer: E**

**Question 9**

Two little boys were a:/ playing together, b:/ when one them saw/ c:/ a nut on the ground. d: No error e:

- A Two little boys were
- B playing together
- C when one them saw
- D a nut on the ground
- E No error

**Answer: C**

**Question 10**

Nick's father was a:/ a hardworking man b:/ and hardly spend any time c:/ with his son. d: No error:

- A Nick's father was
- B a hardworking man
- C and hardly spend any time
- D with his son

E No error

Answer: C

## Download Highly Rated Banking APP

### Instructions

In each of these questions, sentence with four bold words is given. One from four words given in the bold may be either wrongly spelt or inappropriate in the context of the sentence. Find out the word which is wrongly spelt or inappropriate. If any, that word will be your answer. If all the words given in the bold are correctly spelt and also appropriate in the context of the sentence, then 'All correct' is your answer.

### Question 11

Soon farmers will be able (a) to sell their produce to whoever they want to instead (b) of only to wholesale (c) tradars. (d) All correct (e)

A Soon farmers will be able

B to sell their produce to whoever they want to instead

C of only to wholesale

D tradars

E All correct

Answer: D

### Question 12

'La Nina' is a weather phenomenon which (a) is asociated (b) with abundant (c) rainfall in India say experts.(d) All correct (e)

A 'La Nina' is a weather phenomenon which

B is asociated

C with abundant

D rainfall in India say experts

E All correct

Answer: B

### Question 13

With the aim (a) of achieving xero (b) accidents, (c) the Indian Railways has sought funds to upgrade (d) tracks and signalling systems. All correct (e)

A With the aima

B of achieving xero

C accidents

D the Indian Railways has sought funds to upgraded

E All correct

Answer: B

#### Question 14

It is better (a) to go slow (b) on labour reforms and hold (c) discussions with all parties (d) concerned with the matter. All correct (e)

- A It is better
- B to go slow
- C on labour reforms and hold
- D discussions with all parties
- E All correct

Answer: E

#### Question 15

Payments bank can collect (a) deposits and offer (b) different payment solutions to customers but are not allowed (c) to lend. (d) All correct (e)

- A Payments bank can collect
- B deposits and offer
- C different payment solutions to customers but are not allowed
- D to lend
- E All correct

Answer: A

#### Instructions

Read the passage carefully and answer the questions given below it.

Certain words/phrases have been given in bold to help you locate them while answering some of the questions. Long time ago, in a forest, there lived a young antelope. He was fond of the fruits of a particular tree. In a village bordering the forest, there lived a hunter who captured and killed antelopes for various reasons. He used to set traps for animals under fruitbearing trees. When the animal came to eat the fruit, it would be caught in the trap. He would then take it away and kill it for its meat. One day, while visiting the forest in search of game, the hunter happened to see the antelope under its favourite tree, eating fruit. He was delighted. 'What a big, **plump** antelope!' he thought. 'I must catch him. I will get a lot of money from selling his meat.' Thereafter, for many days, the hunter kept track of the antelope's movements. He realised that the antelope was remarkably **vigilant** and fleet footed animal that it would be virtually impossible for him to track him down. However, he had a weakness for that particular tree. The crafty concluded that he could use this weakness to capture him. Early one morning, the hunter entered the forest with some logs of wood. He climbed the tree and put up a machan (platform used by hunters) on one of its branches by tying the logs together. Having set his trap at the foot of the tree, he then took up position on the machan and waited for the antelope. He strewed a lot of jowar seeds on the ground beneath the tree to conceal the trap and **lure** the antelope. Soon, the antelope came strolling along. He was very hungry and was eagerly looking forward to his usual breakfast of delicious ripe fruits. On the **treetop**, the hunter, having sighted him, sat with **bated breath**, willing him to come closer and step into his trap. However, the antelope was no fool. As he neared the tree he stopped short. The number of fruits lying under the tree seemed considerably more than usual. Surely, something was **amiss**, decided the antelope. He paused just out of reach of the tree and carefully began examining the ground. Now, he saw what distinctly looked like a human footprint. Without going closer, he looked suspiciously at the tree. The hunter was well hidden in its thick foliage, nevertheless the antelope, on close scrutiny, was now sure that his suspicions had not been unfounded. He could see a corner of the machan peeping out of the leaves. Meanwhile the hunter was getting desperate. Suddenly, he had a brainwave. 'Let me try throwing some fruit at him,' he thought. So the hunter plucked some choice fruits and hurled them in the direction of the antelope. Alas, instead of luring him closer, it only confirmed his fears! Raising his voice, he spoke in the direction of the tree —'Listen, my dear tree, until now you have always dropped your fruits on the earth. Today, you have started throwing them at me! This is the most unlikely action of yours and I'm not sure I like the change! Since you have changed your habits, I too will change mine. I will get my fruits from a different tree from now on — one that still acts like a tree!' The hunter realised that the antelope had outsmarted him with his cleverness. Parting the leaves to reveal himself, he grabbed his javelin and flung it wildly at the antelope. But the clever antelope was well prepared for any such action on his part. Giving a saucy chuckle, he leapt nimbly out of the hunter's way.

**Question 16**

As mentioned in the story, which of the following can be said about the hunter ?

- A He was a very good cook.
- B He was not as smart as the antelope.
- C He was growing old.
- D He had never missed any of his prey.
- E He was humane.

**Answer: B**

**Free Banking Study Material (15000 Solved Questions)**

**Question 17**

Which of the following is most nearly the same in meaning as the word 'AMISS' as used in the story ?

- A Perfect
- B Forgotten
- C Obvious
- D Assumed
- E Fishy

**Answer: E**

**Question 18**

Which of the following statements is true in the context of the story ?

- A The hunter captured antelopes only for their skin.
- B The hunter came to know about the antelope through his friends.
- C The hunter learnt his lesson eventually and never killed any antelope.
- D The hunter and the antelope lived in the same village.
- E None of the given statements is true.

**Answer: E**

**Question 19**

Which of the following is most nearly the opposite in meaning as the word 'VIGILANT' as used in the story ?

- A High
- B Loyal
- C Rigid
- D Inattentive

E Alert

Answer: D

## SBI PO Solved Previous Papers (Download PDF)

### Question 20

As mentioned in the story, the antelope told the tree that he would not have its fruits anymore as.....

- A. he had sensed danger as everything around the tree appeared different than usual.
- B. he felt insulted by the tree.
- C. he started liking fruits from the adjacent tree as they were more juicy.

- A Only A
- B Both A and B
- C Only B
- D Both A and C
- E Only C

Answer: A

### Question 21

As mentioned in the story, the hunter prepared a machan on the tree to.....

- A. live peacefully
- B. keep a watch on the entire forest.
- C. catch his prey.

- A Only A
- B Only C
- C Only B
- D Both A and C
- E None of the given options

Answer: B

### Question 22

Which of the following could be a suitable title to the story ?

- A The Hunter Who Loved Fruits
- B The Lazy Hunter
- C The Clever Antelope
- D The Hunter and His Love for Wild Animals
- E Antelopes An Endangered Species

Answer: C



## Get Free Study Material & Updates - Whatsapp "Updates" to 7661025557

### Question 23

Which of the following is most nearly the opposite in meaning as the word 'PLUMP' as used in the story ?

- A Hefty
- B Chirpy
- C Long
- D Boring
- E Lean

Answer: E

### Question 24

Which of the following correctly explains the meaning of the phrase, 'bated breath' as used in the story ?

- A Turned blue
- B Without breathing at all
- C Waited anxiously
- D Bad breath
- E Unconscious

Answer: C

### Question 25

Which of the following is most nearly the same in meaning as the word 'LURE' as used in the story ?

- A Lie
- B Beat ,
- C Fight
- D Attract
- E Hit

Answer: D

## SBI PO Free Mocks (Latest Pattern)

### Instructions

In the following passage, some of the words have been left out.

Read the passage carefully and choose the correct answer to each question out of the five alternatives and fill in the blanks.

There lived an old tiger in a forest. It was becoming ..(26)... for him to catch a prey. The Tiger thought, "I no longer have the strength and speed of a youth. ...(27)... I find some trick, I will starve to death." On thinking hard, the tiger came upon a plan. He began shouting loudly, 'I am very old. I have turned into a vegetarian. I have become a saint and will not eat animals anymore.' These words spread like ...(28)... in the jungle. Innocent animals came to pay respect to the tiger thinking that the tiger had changed into a saint. In turn, the tiger pounced on the animals when they came to his cave. One day, a witty fox heard the words of the tiger. The fox began to wonder, "Can a

tiger become a saint?" So stealthily, the fox approached the tiger's cave. He carefully examined the footprints of animals. He found that all the footprints were going towards the cave but none were ... (29) ... from the cave. He quickly alerted all animals in the forest. "The Tiger is a cheat. Don't go to the cave." No animal ever ... (30) ... the cave again and the tiger died of starvation.

**Question 26**

1

- A simple
- B toughly
- C thin
- D difficult
- E stricter

**Answer: D**

**Question 27**

2

- A Unless
- B If
- C Although
- D Before
- E Till

**Answer: A**

**Question 28**

3

- A fast
- B wildfire
- C plane
- D epidemic
- E that

**Answer: B**

**Download SBI Clerk Syllabus PDF**

**Question 29**

4

- A entering
- B returning

- C left
- D escaped
- E seen

Answer: B

Question 30  
5

- A bothered
- B dealt
- C ventured
- D visited
- E approach

Answer: D

## GK Study Material for Banking Exams (Download PDF)

### Quant

**Instructions**

For the following questions answer them individually

**Question 31**

The average monthly income of P and Q is Rs. 7,050/. The average monthly income of Q and R is Rs.7,700/ and that of P and R is Rs.8,250/. What is the monthly income of P ?

- A Rs. 7,200/
- B Rs. 7,800/
- C Rs. 7,400/
- D Rs. 8,000/
- E Rs. 7,600/

Answer: E

**Explanation:**

Sum of incomes of P & Q =  $2 \times 7,050$

$$\Rightarrow (P + Q) = 14,100 \text{ -----Eqn(1)}$$

Similarly,  $(Q + R) = 15,400 \text{ -----Eqn(2)}$

$$(P + R) = 16,500 \text{ -----Eqn(3)}$$

Adding above equations, we get :

$$\Rightarrow 2(P + Q + R) = 14,100 + 15,400 + 16,500 = 46,000$$

$$\Rightarrow (P + Q + R) = \frac{46,000}{2} = 23,000$$

Substituting value of (Q + R) from eqn (2)

$$\Rightarrow P + 15,400 = 23,000$$

$$\Rightarrow P = 23,000 - 15,400 = \text{Rs. } 7,600$$

## SBI Clerk Free Mock Test (Latest Pattern)

### Question 32

The side of a square is equal to height of a triangle. If the area of the triangle is  $294 \text{ m}^2$  and the respective ratio of its height and base is  $3 : 4$ , what is the perimeter of the square (in m) ?

- A 108
- B 96
- C 84
- D 72
- E 60

Answer: C

#### Explanation:

Let height of triangle =  $3x$

$\Rightarrow$  Base of triangle =  $4x$

$$\Rightarrow \text{Area of triangle} = \frac{1}{2} \times 3x \times 4x = 294$$

$$\Rightarrow 6x^2 = 294$$

$$\Rightarrow x^2 = \frac{294}{6} = 49$$

$$\Rightarrow x = \sqrt{49} = 7$$

$\Rightarrow$  Height of triangle =  $3 \times 7 = 21 \text{ m}$

Also, side of square = height of triangle =  $21 \text{ m}$

$\therefore$  Perimeter of square =  $4 \times 21$

=  $84 \text{ m}$

### Question 33

The interest earned when a sum of Rs. 1,200/ was invested for 4 years in scheme A (offering simple interest at the rate of 20% p.a.) was Rs. 1,460/ less than the amount received when Rs.  $x$  was invested for 2 years in scheme B (offering compound interest compounded annually at the rate of 10% p.a.). What was  $x$  ?

- A Rs. 4,000/
- B Rs. 2,500/
- C Rs. 1,500/
- D Rs.3,000/

E Rs.2,000/

**Answer: E**

**Explanation:**

Interest earned when a sum of Rs. 1,200/ was invested for 4 years in scheme A at 20% S.I.

$$= \frac{1,200 \times 20 \times 4}{100}$$

$$= 12 \times 80 = 960$$

Amount received when Rs.  $x$  was invested for 2 years in scheme B at 10% C.I.

$$= x \left(1 + \frac{10}{100}\right)^2$$

$$= x \left(\frac{11}{10}\right)^2 = \frac{121x}{100}$$

Acc to ques,

$$\Rightarrow \frac{121x}{100} - 960 = 1460$$

$$\Rightarrow \frac{121x}{100} = 1460 + 960 = 2420$$

$$\Rightarrow x = \frac{2420 \times 100}{121}$$

$$\Rightarrow x = 20 \times 100 = \text{Rs. } 2,000$$

**Question 34**

The sum of allowances received by Riddhi and Siddhi together was Rs. 3,800/. Riddhi and Siddhi both paid  $\frac{2}{8}$ th of their respective allowances as their tuition fees. If the tuition fees paid by Siddhi was more than that paid by Riddhi, by Rs. 80/, how much was Riddhi's allowances ?

A Rs. 1,800/

B Rs. 1,740/

C Rs. 1,640/

D Rs. 1,840/

E None of these

**Answer: B**

**Explanation:**

Let Riddhi's allowance = Rs.  $8x$

$$\Rightarrow \text{Siddhi's allowance} = \text{Rs. } (3800 - 8x)$$

Allowance paid as tuition fees by

$$\text{Riddhi} = \frac{2}{8} \times 8x = 2x$$

$$\text{Siddhi} = \frac{2}{8} \times (3800 - 8x) = 950 - 2x$$

Acc to ques,

$$\Rightarrow (950 - 2x) - (2x) = 80$$

$$\Rightarrow 950 - 4x = 80$$

$$\Rightarrow 4x = 950 - 80 = 870$$

$$\Rightarrow x = \frac{870}{4}$$

$$\therefore \text{Riddhi's allowance} = 8 \times \frac{870}{4}$$

$$= 2 \times 870 = \text{Rs. } 1,740$$

## SBI Clerk Previous Papers (Download PDF)

### Question 35

Train A, 220m long, can cross a platform 340 m long in 32 sec. If the respective ratio of speed of trains A and B is 7 : 9 and the length of train B is 270 m, how much time (in sec) would train B take to cross an electric pole ?

- A 18
- B 12
- C 20
- D 22
- E 14

**Answer: B**

#### Explanation:

Length of train A = 220 m

$$\Rightarrow \text{Speed of train A} = \frac{220+340}{32}$$

$$= \frac{560}{32} = 17.5 \text{ m/s}$$

Speed of train A : Speed of train B = 7 : 9

$$\Rightarrow \text{Speed of train B} = \frac{9}{7} \times 17.5$$

$$= 9 \times 2.5 = 22.5 \text{ m/s}$$

Length of train B = 270 m

$$\therefore \text{Time taken by train B to cross the pole} = \frac{270}{22.5}$$

$$= 12 \text{ sec}$$

#### Instructions

Refer to the table and answer the following questions. Number of Horror Novels published by 5 companies during 5 months

Month	Company				
	A	B	C	D	E
January	69	69	81	91	78
February	47	87	100	128	100
March	39	31	124	48	122
April	75	98	99	75	88
May	101	110	80	80	72

### Question 36

What is the respective ratio between total number of horror novels published by company A in January and April together and total number of horror novels published by company C in February and March together ?

- A 11 : 14
- B 9 : 16
- C 7 : 12

D 9 : 14

E 8 : 15

Answer: D

**Explanation:**

Total number of horror novels published by company A in January and April together

$$= 69 + 75 = 144$$

Total number of horror novels published by company C in February and March together

$$= 100 + 124 = 224$$

$$\Rightarrow \text{Required ratio} = 144 : 224$$

$$= 9 : 14$$

**Question 37**

Number of horror novels published by company E in January is what percent less than the number of horror novels published by company D in February

A  $42\frac{3}{8}$

B  $40\frac{5}{8}$

C  $36\frac{3}{4}$

D  $38\frac{5}{8}$

E  $39\frac{1}{16}$

Answer: E

**Explanation:**

Number of horror novels published by company E in January = 78

Number of horror novels published by company D in February = 128

$$\Rightarrow \text{Require \%} = \frac{128-78}{128} \times 100$$

$$= \frac{25}{16} \times 25 = 39\frac{1}{16}\%$$

## Free Banking Study Material (15,000 Solved Questions)

**Question 38**

What is the difference between total number of horror novels published by company A in February and March together and that by company C in January and April together ?

A 98

B 88

C 92

D 94

E 84

Answer: D

**Explanation:**

Total number of horror novels published by company A in February and March

$$= 47 + 39 = 86$$

Total number of horror novels published by company C in January and April together

$$= 81 + 99 = 180$$

$$\Rightarrow \text{Required difference} = 180 - 86 = 94$$

**Question 39**

What is the average number of horror novels published by companies B, D and E in March ?

A 69

B 65

C 67

D 63

E 71

**Answer: C**

**Explanation:**

Number of horror novels published by companies B, D and E in March

$$= 31 + 48 + 122 = 201$$

$$\Rightarrow \text{Required average} = \frac{201}{3} = 67$$

**Question 40**

Number of horror novels published by companies B and D increased by 10% and 5% respectively from May to June. What is the total number of horror novels published by companies B and D together in June ?

A 211

B 213

C 205

D 197

E 209

**Answer: C**

**Explanation:**

Number of horror novels published by company B in May = 110

$$\Rightarrow \text{Number of horror novels published by company B in June} = \frac{110}{100} \times 110$$

$$= 121$$

Number of horror novels published by company D in May = 80

$$\Rightarrow \text{Number of horror novels published by company D in June} = \frac{105}{100} \times 80$$

$$= 84$$

$\therefore$  Total number of horror novels published by companies B and D together in June = 121 + 84

$$= 205$$

**Download Highly Rated Banking APP**



### Instructions

What approximate value will come in place of question mark (?) in the given questions ? (You are not expected to calculate the exact value.)

#### Question 41

$$10^? - 162 \times 1\frac{1}{3} = 28^2$$

A 3

B 1

C 5

D 2

E 4

Answer: A

#### Explanation:

$$\text{Expression : } 10^? - 162 \times 1\frac{1}{3} = 28^2$$

$$\Rightarrow (10)^x - (162 \times \frac{4}{3}) = 784$$

$$\Rightarrow (10)^x - 216 = 784$$

$$\Rightarrow (10)^x = 784 + 216 = 1000$$

$$\Rightarrow (10)^x = (10)^3$$

$$\Rightarrow x = 3$$

#### Question 42

$$(29.55 + 95.45) \times ? = 150$$

A 0.18

B 1.2

C 1.4

D 1.6

E 2

Answer: B

#### Explanation:

$$\text{Expression : } (29.55 + 95.45) \times ? = 150$$

$$\Rightarrow 125 \times x = 150$$

$$\Rightarrow x = \frac{150}{125} = \frac{6}{5}$$

$$\Rightarrow x = 1.2$$

#### Question 43

$$\sqrt{?} \div 5 = 220 - 6^3$$

A 484

B 500

- C 400
- D 676
- E 625

**Answer: C**

**Explanation:**

Expression :  $\sqrt{x} \div 5 = 220 - 6^3$

$$\Rightarrow \frac{\sqrt{x}}{5} = 220 - 216$$

$$\Rightarrow \sqrt{x} = 4 \times 5 = 20$$

$$\Rightarrow x = (20)^2 = 400$$

**Question 44**

**140% of 80 + ? - 23 = 100**

- A 17
- B 15
- C 13
- D 19
- E 11

**Answer: E**

**Explanation:**

Expression :  $140\% \text{ of } 80 + ? - 23 = 100$

$$\Rightarrow \left(\frac{140}{100} \times 80\right) + x = 100 + 23$$

$$\Rightarrow (14 \times 8) + x = 123$$

$$\Rightarrow 112 + x = 123$$

$$\Rightarrow x = 123 - 112 = 11$$

**Question 45**

**$\frac{1}{5} + \frac{2}{15} + ? + \frac{1}{6} = \frac{1}{6}$**

- A  $\frac{3}{5}$
- B  $\frac{2}{5}$
- C 1
- D  $\frac{5}{6}$
- E  $\frac{2}{3}$

**Answer: E**

**Explanation:**

Expression :  $\frac{1}{5} + \frac{2}{15} + ? + \frac{1}{6} = \frac{1}{6}$

$$\Rightarrow \frac{1}{5} + \frac{2}{15} + x + \frac{1}{6} = \frac{7}{6}$$

$$\Rightarrow \frac{3}{15} + \frac{2}{15} + x = \frac{7}{6} - \frac{1}{6}$$

$$\Rightarrow \frac{5}{15} + x = \frac{6}{6}$$

$$\Rightarrow \frac{1}{3} + x = 1$$

$$\Rightarrow x = 1 - \frac{1}{3} = \frac{2}{3}$$

**Question 46**

$$2 \times 4.5 + 12 \times 1.5 = ?$$

A 24

B 21

C 27

D 12

E 17

**Answer: C**

**Explanation:**

$$\text{Expression : } 2 \times 4.5 + 12 \times 1.5 = ?$$

$$= 9 + 18$$

$$= 27$$

**Free Banking Study Material (15000 Solved Questions)**

**Question 47**

$$\sqrt{\frac{2.76 \times 3}{2.3 \times 2.5}} = ?$$

A 2.4

B 1.4

C 0.9

D 1.2

E 0.8

**Answer: D**

**Explanation:**

$$\text{Expression : } \sqrt{\frac{2.76 \times 3}{2.3 \times 2.5}} = ?$$

$$= \sqrt{\frac{276 \times 3}{23 \times 25}}$$

$$= \sqrt{\frac{12 \times 3}{25}}$$

$$= \sqrt{\frac{36}{25}}$$

$$= \frac{6}{5} = 1.2$$

**Question 48**

$$4\frac{1}{3} + 4\frac{1}{5} \times 2\frac{7}{9} = ?$$

- A 16
- B  $19\frac{1}{5}$
- C  $18\frac{1}{3}$
- D  $15\frac{2}{3}$
- E  $12\frac{2}{3}$

**Answer: A**

**Explanation:**

Expression :  $4\frac{1}{3} + 4\frac{1}{5} \times 2\frac{7}{9} = ?$

$$= \left(\frac{13}{3}\right) + \left(\frac{21}{5} \times \frac{25}{9}\right)$$

$$= \frac{13}{3} + \frac{35}{3}$$

$$= \frac{13+35}{3}$$

$$= \frac{48}{3} = 16$$

**Question 49**

**70% of 20% of 240 = ?**

- A 34.2
- B 32.6
- C 33.2
- D 36.4
- E 33.6

**Answer: E**

**Explanation:**

Expression : 70% of 20% of 240 = ?

$$= \frac{70}{100} \times \frac{20}{100} \times 240$$

$$= 14 \times 24 \times \frac{1}{10}$$

$$= \frac{336}{10} = 33.6$$

**SBI PO Solved Previous Papers (Download PDF)**

**Question 50**

**120% of  $(11\frac{1}{6} + \frac{5}{6}) + ? = 26$**

- A 11.2
- B 9.4
- C 21.4

D 9.6

E 11.6

**Answer: E**

**Explanation:**

Expression :  $120\% \text{ of } (11\frac{1}{6} + \frac{5}{6}) + ? = 26$

$$\Rightarrow \frac{120}{100} \times (11\frac{1}{6} + \frac{5}{6}) + x = 26$$

$$\Rightarrow \frac{6}{5} \times (11\frac{1}{6} + \frac{5}{6}) + x = 26$$

$$\Rightarrow \frac{72}{5} + x = 26$$

$$\Rightarrow x = 26 - \frac{72}{5}$$

$$\Rightarrow x = 26 - 14.4 = 11.6$$

**Instructions**

What will come in place of question mark (?) in the given number series ?

**Question 51**

**8 ? 16 48 192 960**

A 16

B 10

C 12

D 14

E 8

**Answer: E**

**Explanation:**

Consecutive natural numbers are added

$$8 \times 1 = 8$$

$$8 \times 2 = 16$$

$$16 \times 3 = 48$$

$$48 \times 4 = 192$$

$$192 \times 5 = 960$$

**Question 52**

**16.8 16.85 16.75 16.9 16.7 ?**

A 17.5

B 17.25

C 16.95

D 16.25

E 18.85

**Answer: C**

**Explanation:**

Multiples of 0.05 are alternatively added and subtracted

$$16.8 + 0.05 \times 1 = 16.85$$

$$16.85 - 0.05 \times 2 = 16.75$$

$$16.75 + 0.05 \times 3 = 16.9$$

$$16.9 - 0.05 \times 4 = 16.7$$

$$16.7 + 0.05 \times 5 = 16.95$$

**Get Free Study Material & Updates - Whatsapp "Updates" to 7661025557**

**Question 53**

8 20 35 54 78 ?

- A 114
- B 169
- C 108
- D 123
- E 136

**Answer: C**

**Explanation:**

The pattern is :

$$8 + 12 = 20$$

$$20 + 12 + 3 = 35$$

$$35 + 12 + 3 + 4 = 54$$

$$54 + 12 + 3 + 4 + 5 = 78$$

$$78 + 12 + 3 + 4 + 5 + 6 = 108$$

**Question 54**

16 ? 32 16 4 0.5

- A 28
- B 20
- C 24
- D 32
- E 18

**Answer: D**

**Explanation:**

The pattern is :

$$16 \times 2 = 32$$

$$32 \times 1 = 32$$

$$32 \times \frac{1}{2} = 16$$

$$16 \times \frac{1}{4} = 4$$

$$4 \times \frac{1}{8} = 0.5$$

**Question 55**

63 72 97 146 227 ?

- A 263
- B 466
- C 348
- D 329
- E 384

**Answer: C**

**Explanation:**

Square of odd numbers are added

$$63 + 3^2 = 72$$

$$72 + 5^2 = 97$$

$$97 + 7^2 = 146$$

$$146 + 9^2 = 227$$

$$227 + 11^2 = 348$$

## SBI PO Free Mocks (Latest Pattern)

**Instructions**

For the following questions answer them individually

**Question 56**

Jar A has 'x' ml mixture of milk and water, of which 40% is water. Jar B also has mixture of milk and water, of which 20% is water. The quantity of mixture in Jar B is twice that of Jar A. If the content of Jar B is emptied into Jar A completely and the resultant quantity of milk in Jar A is 198 ml, what is the value of 'x' ?

- A 45
- B 90
- C 85
- D 95
- E 65

**Answer: B**

**Explanation:**

Total quantity of mixture in jar A =  $x$  ml

% of milk in jar A =  $100 - 40 = 60\%$

Quantity of milk in jar A =  $\frac{60}{100} \times x = \frac{3x}{5}$  ml

Total quantity of mixture in jar B =  $2x$  ml

% of milk in jar B =  $100 - 20 = 80\%$

$$\text{Quantity of milk in jar B} = \frac{80}{100} \times 2x = \frac{8x}{5} \text{ ml}$$

$$\Rightarrow \text{Total quantity of milk in jar A and B} = \frac{3x}{5} + \frac{8x}{5} = 198$$

$$\Rightarrow \frac{11x}{5} = 198$$

$$\Rightarrow x = 198 \times \frac{5}{11} = 18 \times 5$$

$$\Rightarrow x = 90 \text{ ml}$$

#### Question 57

A and B start a business together with an investment of Rs. 3,000/ and Rs. 6,000/ respectively. At the end of six months from the start of the business, B withdrew half of his investment. If at the end of the year, B's share from the total profit earned was Rs. 3,750/, what was the total profit earned ?

A Rs. 5,750/

B Rs. 6,250/

C Rs. 6,500/

D Rs. 6,400

E None of these

**Answer: B**

#### Explanation:

The ratio of amount invested by A and B

$$= (12 \times 3,000) : (6 \times 6,000) + (6 \times 3,000)$$

$$= (36) : (36) + (18)$$

$$= 36 : 54 = 2 : 3$$

Let the total profit = Rs.  $x$

Acc to ques,

$$\Rightarrow \text{B's share} = \frac{3}{2+3} \times x = 3,750$$

$$\Rightarrow x = \frac{3,750 \times 5}{3}$$

$$\Rightarrow x = 1250 \times 5 = \text{Rs. } 6,250$$

#### Question 58

In a village, 64% of the total population are literates. The respective ratio of literate male and female is 3 : 1 and the respective ratio of illiterate male and female is 5 : 4. What is the respective ratio of literate male and illiterate male in the village ?

A 12 : 5

B 9 : 4

C 8 : 5

D 11 : 5

E 13 : 7

**Answer: A**



**Explanation:**

Let total population of village = 100

$$\Rightarrow \text{Number of literate people} = \frac{64}{100} \times 100 = 64$$

$$\Rightarrow \text{No. of literate male} = \frac{3}{3+1} \times 64$$

$$= 3 \times 16 = 48$$

$$\Rightarrow \text{Number of illiterate people} = 100 - 64 = 36$$

$$\Rightarrow \text{No. of illiterate males} = \frac{5}{5+4} \times 36$$

$$= 5 \times 4 = 20$$

$$\therefore \text{Required ratio} = \frac{48}{20}$$

$$= 12 : 5$$

## Download SBI Clerk Syllabus PDF

**Question 59**

A certain sum P when invested for four years at the rate of 10% p.a. simple interest, amounts to 22,960/ . What will be the interest earned when (P + 600) is invested in the same rate of simple interest p.a. for four years ?

- A 6,400/
- B 6,800/
- C 6,500/
- D 6,600/
- E 6,900/

**Answer: B**

**Explanation:**

$$\text{Amount under simple interest} = \frac{P \times R \times T}{100} + P$$

$$\text{Given : } \frac{P \times 10 \times 4}{100} + P = 22,960$$

$$\Rightarrow \frac{2P}{5} + P = 22,960$$

$$\Rightarrow \frac{7P}{5} = 22,960$$

$$\Rightarrow P = \frac{22,960 \times 5}{7} = 16,400$$

Now, new amount invested = 16,400 + 600 = 17,000

$$\therefore \text{S.I.} = \frac{17,000 \times 10 \times 4}{100}$$

$$= 170 \times 40 = \text{Rs. } 6,800$$

**Question 60**

When one sixth of a number x, is added to 117, it becomes equal to  $y^2$ . If one fifth of y is equal to 2.2, what is the value of x ?

- A 24
- B 22
- C 28
- D 30

E 32

Answer: A

Explanation:

$$\text{Given : } \frac{1}{5} \times y = 2.2$$

$$\Rightarrow y = 2.2 \times 5 = 11$$

Acc to ques,

$$\Rightarrow \left(\frac{1}{6} \times x\right) + 117 = (y)^2$$

$$\Rightarrow \frac{x}{6} + 117 = (11)^2 = 121$$

$$\Rightarrow \frac{x}{6} = 121 - 117 = 4$$

$$\Rightarrow x = 4 \times 6 = 24$$

Question 61

A, B and C can independently finish a piece of work in 18 days, 'x' days and 27 days respectively. A and C started working together and after 6 days B replaced both of them. If B could finish the remaining work in 16 days, what is the value of 'x' ?

A 32

B 36

C 34

D 40

E None of these

Answer: B

Explanation:

$$(A + C)\text{'s 1 day's work} = \frac{1}{18} + \frac{1}{27}$$

$$= \frac{3+2}{54} = \frac{5}{54}$$

$$\Rightarrow (A + C)\text{'s 6 day's work} = \frac{5}{54} \times 6$$

$$= \frac{5}{9}$$

$$\Rightarrow \text{Remaining work} = 1 - \frac{5}{9} = \frac{4}{9}$$

Acc to ques,

$$\Rightarrow \frac{16}{x} = \frac{4}{9}$$

$$\Rightarrow x = \frac{16 \times 9}{4}$$

$$\Rightarrow x = 4 \times 9 = 36 \text{ days}$$

## GK Study Material for Banking Exams (Download PDF)

Question 62

The floor of a square hall is tiled completely with forty nine square shaped tiles. If the side of each tile measures 2 m, what was the perimeter of the hall? (in m)

A 112

B 96

- C 72
- D 56
- E 60

**Answer: D**

**Explanation:**

Area of square shaped tile =  $2 \times 2 = 4m^2$

No. of tiles used = 49

=> Area of floor =  $49 \times 4 = 196m^2$

Let side of floor =  $x$  m

=>  $x^2 = 196$

=>  $x = \sqrt{196} = 14$  m

∴ Perimeter of hall =  $4 \times 14 = 56$  m

**Question 63**

The present age of a father is equal to the sum of his son's and wife's present ages. The respective ratio between the present ages of his wife and son is 8 : 1 and the difference between his wife's and son's present ages is 28 years, what will be father's age after 4 years ? (in years)

- A 36
- B 38
- C 40
- D 44
- E 48

**Answer: C**

**Explanation:**

Let present age of wife =  $8x$  years

=> Present age of son =  $x$  years

Acc to ques,

=>  $8x - x = 28$

=>  $x = \frac{28}{7} = 4$

=> Present age of father =  $8x + x = 9x$

=  $9 \times 4 = 36$  years

∴ Father's age after 4 years =  $36 + 4 = 40$  years

**Question 64**

A shopkeeper sold first unit of an article to Aria at 20% discount and the second unit of the same article at 40% discount. If the shopkeeper earned an overall profit of 5%, the marked price of the article was what percent of the cost price of the article ?

- A 200
- B 150
- C 125

D 160

E 120

Answer: B

Explanation:

Let the cost price of each article = Rs.  $100x$

=> C.P. of both articles =  $2 \times 100x = 200x$

=> Selling price =  $\frac{105}{100} \times 200x = 210x$  -----Eqn(1)

Let the marked price = Rs.  $100y$

Selling price of 1st article after 20% discount =  $\frac{80}{100} \times 100y = 80y$

Selling price of 2nd article after 40% discount =  $\frac{60}{100} \times 100y = 60y$

=> Total selling price =  $80y + 60y = 140y$  -----Eqn(2)

Comparing eqns(1) & (2), we get :

=>  $210x = 140y$

=>  $\frac{y}{x} = \frac{210}{140} = \frac{3}{2}$

∴ Required % =  $\frac{3}{2} \times 100 = 150\%$

## SBI Clerk Free Mock Test (Latest Pattern)

Question 65

The time taken by a boat to travel 'x' km upstream is twice the time taken by the same boat to travel 'x' km downstream. If speed of the boat in still water is 12 km/h, what is the speed of current ? (in km/h)

A 3

B 4

C 3.5

D 4.5

E None of these

Answer: B

Explanation:

REASONING

## SBI Clerk Previous Papers (Download PDF)

### Reasoning

Instructions

These questions are based on the five three digit numbers given below :  
346 815 428 271 732

Question 66

If '1' is added to the first digit of every number and '1' is subtracted from the third digit of every number, in how many numbers thus formed will the difference between first and third digits be more than 5 ?

- A Two
- B None
- C Four
- D Three
- E One

**Answer: E**

**Explanation:**

Series : 346 815 428 271 732

If '1' is added to the first digit of every number and '1' is subtracted from the third digit of every number, new numbers

$$346 \rightarrow 445 = 5 - 4 = 1$$

$$815 \rightarrow 914 = 9 - 4 = 5$$

$$428 \rightarrow 527 = 7 - 5 = 2$$

$$271 \rightarrow 370 = 3 - 0 = 3$$

$$732 \rightarrow 831 = 8 - 1 = 7 \text{ (difference more than 5)}$$

=> Ans - (E)

## Free Banking Study Material (15,000 Solved Questions)

**Question 67**

If all the numbers are arranged in ascending order from left to right, which of the following will be resultant if first and third digits of the number which is second from the right are multiplied ?

- A 18
- B 14
- C 40
- D 24
- E 32

**Answer: B**

**Explanation:**

Series : 346 815 428 271 732

If all the numbers are arranged in ascending order from left to right, new order :

271 , 346 , 428 , 732 , 815

Product of first and third digits of the number which is second from the right = 732 =  $7 \times 2 = 14$

=> Ans - (B)

**Question 68**

If '2' is added to the second digit of every even number and '1' is subtracted from the first digit of every odd number, in how many numbers will a digit appear twice ?

- A Three
- B Two

- C Four
- D One
- E None

**Answer: A**

**Explanation:**

Series : 346 815 428 271 732

If '2' is added to the second digit of every even number and '1' is subtracted from the first digit of every odd number, new numbers :

346 -> 366

815 -> 715

428 -> 448

271 -> 171

732 -> 752

In 3 numbers, (6,4,1) appear twice.

=> Ans - (A)

**Question 69**

If in each number all the digits are arranged in descending order within the number, how many numbers thus formed will be odd numbers ?

- A One
- B Four
- C None
- D Three
- E Two

**Answer: D**

**Explanation:**

Series : 346 815 428 271 732

If in each number all the digits are arranged in descending order within the number, new numbers :

643 , 851 , 842 , 721 , 732

Thus, there are 3 odd numbers.

=> Ans - (D)

**Download Highly Rated Banking APP**

**Question 70**

The positions of the first and the third digits of each of the numbers are interchanged. What will be the resultant if first digit of the highest number thus formed is divided by the third digit of the lowest number thus formed ?

- A 2
- B 1.5
- C 3
- D 4

E 3.5

Answer: D

**Explanation:**

Series : 346 815 428 271 732

If the positions of the first and the third digits of each of the numbers are interchanged, new numbers :

643 , 518 , 824 , 172 , 237

1st digit of highest number (824) = 8

3rd digit of lowest number (172) = 2

Thus,  $\frac{8}{2} = 4$

=> Ans - (D)

**Instructions**

Study the following information and answer the questions. K is the wife of V. V is the brother of J. L is the only daughter of J. D is the father of M and L. S is the only daughter of M.

**Question 71**

How is D related to V ?

- A Nephew
- B Brother
- C Brother-in-law
- D Son
- E Father-in-law

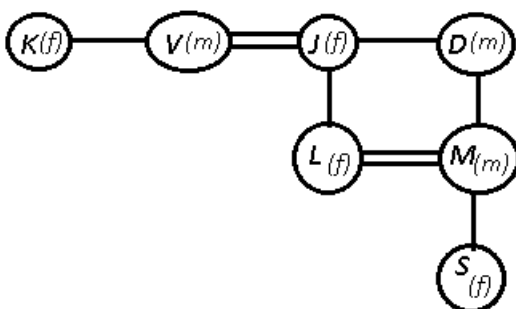
Answer: C

**Explanation:**

K is the wife of V. V is the brother of J.

L is the only daughter of J. D is the father of M and L, => D is the husband of J and M is the brother of L.

S is the only daughter of M.



D is the husband of V's sister, => D is the brother-in-law of V.

=> Ans - (C)

**Question 72**

If S is married to G, how is G related to M ?

- A Daughter
- B Son

- C Nephew
- D Niece
- E Son-in-law

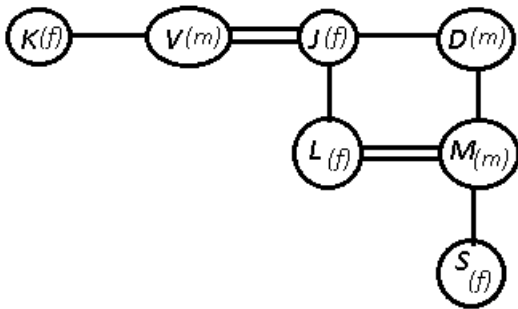
**Answer: E**

**Explanation:**

K is the wife of V. V is the brother of J.

L is the only daughter of J. D is the father of M and L, => D is the husband of J and M is the brother of L.

S is the only daughter of M.



If S is married to G, then G is the son-in-law of M.

=> Ans - (E)

**Question 73**

**How is K related to L ?**

- A Aunt
- B Niece
- C Motherinlaw
- D Mother
- E Sister

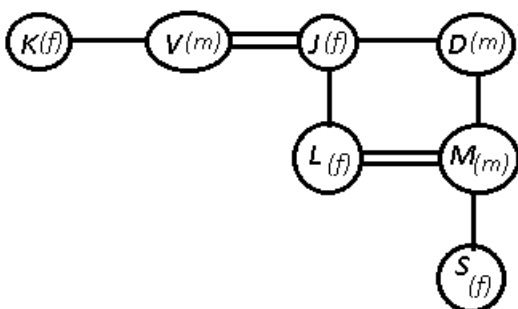
**Answer: A**

**Explanation:**

K is the wife of V. V is the brother of J.

L is the only daughter of J. D is the father of M and L, => D is the husband of J and M is the brother of L.

S is the only daughter of M.



K is the aunt of L.

=> Ans - (A)



### Instructions

Study the following information and answer the questions.

Seven people, namely K, L, M, N, O, P and Q have seven different meetings on the seven different days of the same week starting from Monday and ending on Sunday, not necessarily in the same order. L has a meeting on Thursday. Only two people have a meeting between L and O. Only three people have a meeting between O and N. As many people have a meeting between N and P as between P and O. Q has a meeting immediately before M. Q does not have a meeting on Saturday.

### Question 74

Which of the following is not true about K ?

- A K has a meeting immediately after P.
- B All the given statements are true.
- C Only one person has a meeting after K.
- D K has a meeting on one of the days after O.
- E Only three people have a meeting between K and M.

**Answer:** D

### Explanation:

L has a meeting on Thursday and only two people have a meeting between L and O, => O has meeting on Sunday.

Only three people have a meeting between O and N, => N has meeting on Wednesday.

As many people have a meeting between N and P as between P and O, => P has a meeting exactly between N and O i.e., on Friday.

Q has a meeting immediately before M, => Q has meeting on Monday and M on Tuesday.

Thus, K has meeting on Saturday. The arrangement :

Days	Person
Monday	Q
Tuesday	M
Wednesday	N
Thursday	L
Friday	P
Saturday	K
Sunday	O

Since, K has meeting before O, thus fourth option is not true.

=> Ans - (D)

### Question 75

How many people have meeting(s) between the days on which Q and L have their meetings ?

- A More than three
- B Two
- C Three
- D None
- E One

**Answer:** B

**Explanation:**

L has a meeting on Thursday and only two people have a meeting between L and O, => O has meeting on Sunday.

Only three people have a meeting between O and N, => N has meeting on Wednesday.

As many people have a meeting between N and P as between P and O, => P has a meeting exactly between N and O i.e., on Friday.

Q has a meeting immediately before M, => Q has meeting on Monday and M on Tuesday.

Thus, K has meeting on Saturday. The arrangement :

Days	Person
Monday	Q
Tuesday	M
Wednesday	N
Thursday	L
Friday	P
Saturday	K
Sunday	O

Only 2 people i.e., M and N have meetings between the days on which Q and L have meetings.

=> Ans - (B)

## Free Banking Study Material (15000 Solved Questions)

**Question 76**

Who amongst the following has a meeting immediately after the one who has a meeting on Tuesday ?

- A Q
- B K
- C M
- D O
- E N

**Answer:** E

**Explanation:**

L has a meeting on Thursday and only two people have a meeting between L and O, => O has meeting on Sunday.

Only three people have a meeting between O and N, => N has meeting on Wednesday.

As many people have a meeting between N and P as between P and O, => P has a meeting exactly between N and O i.e., on Friday.

Q has a meeting immediately before M, => Q has meeting on Monday and M on Tuesday.

Thus, K has meeting on Saturday. The arrangement :

Days	Person
Monday	Q
Tuesday	M
Wednesday	N
Thursday	L
Friday	P
Saturday	K
Sunday	O

N has meeting on Wednesday, immediately after Tuesday.

=> Ans - (E)

#### Question 77

On which of the following days does M have a meeting ?

- A Saturday
- B Wednesday
- C Friday
- D Tuesday
- E Sunday

Answer: D

#### Explanation:

L has a meeting on Thursday and only two people have a meeting between L and O, => O has meeting on Sunday.

Only three people have a meeting between O and N, => N has meeting on Wednesday.

As many people have a meeting between N and P as between P and O, => P has a meeting exactly between N and O i.e., on Friday.

Q has a meeting immediately before M, => Q has meeting on Monday and M on Tuesday.

Thus, K has meeting on Saturday. The arrangement :

Days	Person
Monday	Q
Tuesday	M
Wednesday	N
Thursday	L
Friday	P
Saturday	K
Sunday	O

M has meeting on Tuesday.

=> Ans - (D)

#### Question 78

Four of the following five are alike in a certain way and thus form a group as per the given arrangement. Which of the following does not belong to that group ?

- A P - Saturday

- B O - Friday
- C Q - Wednesday
- D N - Monday
- E L - Tuesday

**Answer: A**

**Explanation:**

L has a meeting on Thursday and only two people have a meeting between L and O, => O has meeting on Sunday.

Only three people have a meeting between O and N, => N has meeting on Wednesday.

As many people have a meeting between N and P as between P and O, => P has a meeting exactly between N and O i.e., on Friday.

Q has a meeting immediately before M, => Q has meeting on Monday and M on Tuesday.

Thus, K has meeting on Saturday. The arrangement :

Days	Person
Monday	Q
Tuesday	M
Wednesday	N
Thursday	L
Friday	P
Saturday	K
Sunday	O

The pattern is that apart from P - Saturday, there is a gap of 2 days between the given pairs.

=> Ans - (A)

## SBI PO Solved Previous Papers (Download PDF)

**Instructions**

In these questions, relationship between different elements is shown in the statements. The statements are followed by conclusions. Study the conclusions based on the given statements and select the appropriate answer. Give answer

- a: If both conclusions I and II are true
- b: If only conclusion I is true
- c: If neither conclusion I nor II is true
- d: If only conclusion II is true
- e: If either conclusion I or conclusion II is true

**Question 79**

**Statements :**

$$P > L \leq T = Q ; Z < L \geq V$$

**Conclusions :**

- I.  $Q \geq V$
- II.  $Z < P$

- A If both conclusions I and II are true
- B If only conclusion I is true
- C If neither conclusion I nor II is true
- D If only conclusion II is true

E If either conclusion I or conclusion II is true

Answer: A

Question 80

Statement :

$$T < H \geq A < N \leq C$$

Conclusions :

I.  $C > A$

II.  $N > T$

A If both conclusions I and II are true

B If only conclusion I is true

C If neither conclusion I nor II is true

D If only conclusion II is true

E If either conclusion I or conclusion II is true

Answer: B

Question 81

Statement :

$$R = Q \geq E \leq S > T$$

Conclusions :

I.  $R > S$

II.  $Q \geq T$

A If both conclusions I and II are true

B If only conclusion I is true

C If neither conclusion I nor II is true

D If only conclusion II is true

E If either conclusion I or conclusion II is true

Answer: C

**Get Free Study Material & Updates - Whatsapp "Updates" to 7661025557**

Question 82

Statements :

$$C = O \leq V = L \leq R ; S \geq R$$

Conclusions :

I.  $S > C$

II.  $S = C$

A If both conclusions I and II are true

B If only conclusion I is true

C If neither conclusion I nor II is true

D If only conclusion II is true

E If either conclusion I or conclusion II is true

**Answer: E**

**Question 83**

**Statements :**

$$E < N = C \geq L > S$$

**Conclusions :**

I.  $L < E$

II.  $S < N$

A If both conclusions I and II are true

B If only conclusion I is true

C If neither conclusion I nor II is true

D If only conclusion II is true

E If either conclusion I or conclusion II is true

**Answer: D**

**Instructions**

Study the following information carefully and answer the given questions.

B, C, D, E, F, G, H and I are sitting around a circular table facing the centre but not necessarily in the same order.

- Only one person sits between D and E. B sits to the immediate right of E.
- Only three people sit between F and G.
- C sits to the immediate left of G.
- G is not an immediate neighbour of H.
- E sits second to the left of C.

**Question 84**

**Who amongst the following sits to the immediate left of E?**

A B

B I

C F

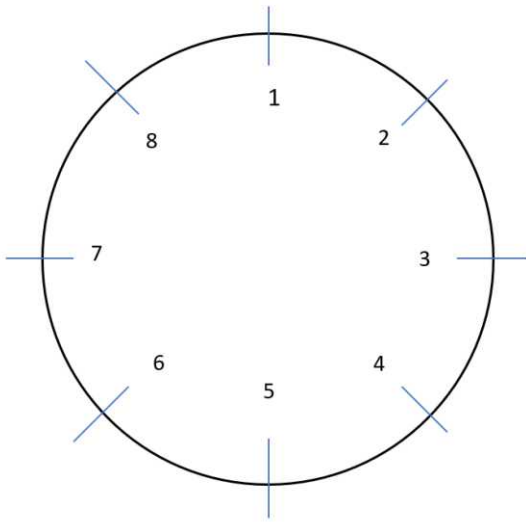
D G

E H

**Answer: C**

**Explanation:**

Let's first number the 8 seats.



We know that C sits to the immediate left of G and E sits second to the left of C.

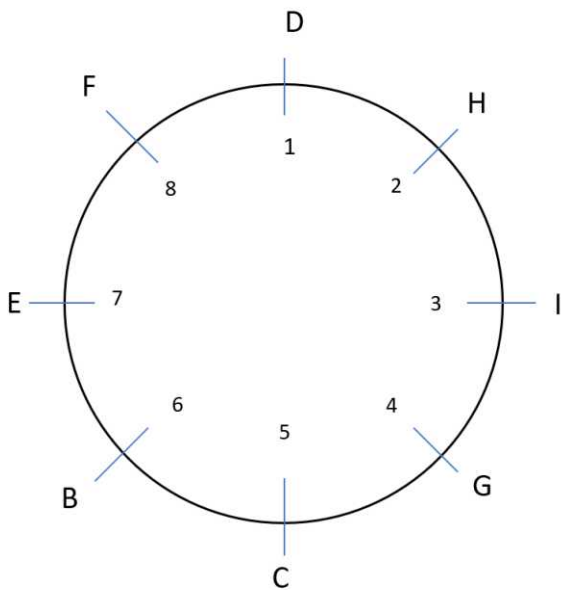
Thus, let C sit at 5. This implies, G sits at 4 and E at 7.

Only one person sits between E and D. Thus, D has to sit at 1. (5 is already occupied.)

Only three people sit between F and G. This implies, F has to sit opposite G, at 8.

Since H and G are not neighbors I will sit at 3 and H at 2.

The final arrangement:



## SBI PO Free Mocks (Latest Pattern)

### Question 85

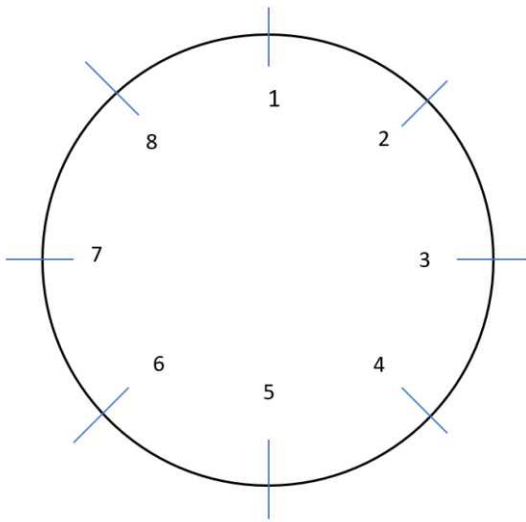
What is the position of B with respect to G ?

- A Third to the right
- B Fourth to the left
- C Second to the right
- D Second to the left
- E Third to the left

Answer: D

**Explanation:**

Let's first number the 8 seats.



We know that C sits to the immediate left of G and E sits second to the left of C.

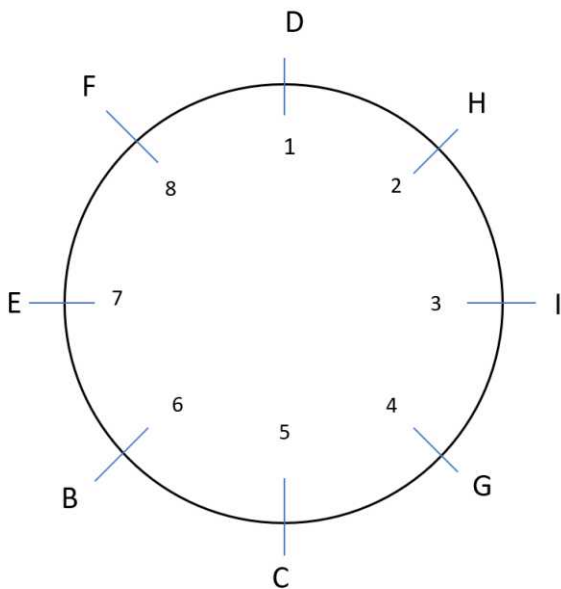
Thus, let C sit at 5. This implies, G sits at 4 and E at 7.

Only one person sits between E and D. Thus, D has to sit at 1. (5 is already occupied.)

Only three people sit between F and G. This implies, F has to sit opposite G, at 8.

Since H and G are not neighbors I will sit at 3 and H at 2.

The final arrangement:



**Question 86**

Four of the following five are alike in a certain way based on their positions in the given arrangement and so form a group. Which is the one that does not belong to the group ?

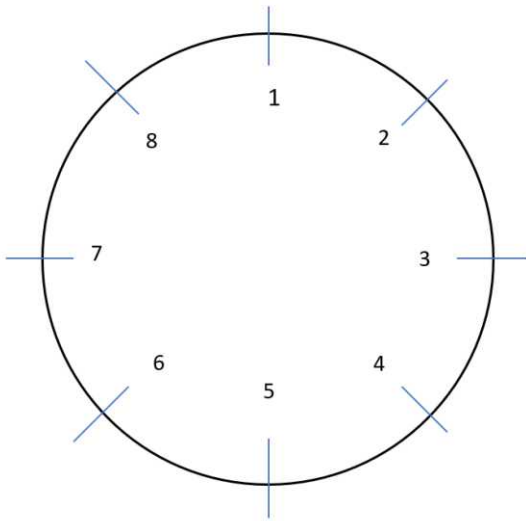
- A EFD
- B DHI
- C CEF
- D GCB



E HIG  
**Answer: C**

**Explanation:**

Let's first number the 8 seats.



We know that C sits to the immediate left of G and E sits second to the left of C.

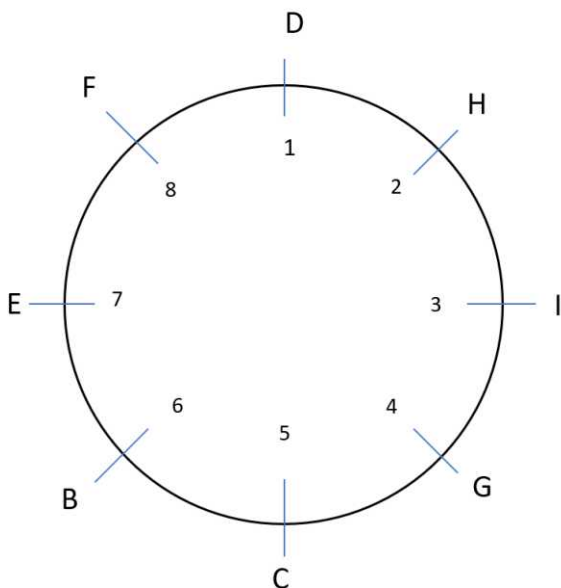
Thus, let C sit at 5. This implies, G sits at 4 and E at 7.

Only one person sits between E and D. Thus, D has to sit at 1. (5 is already occupied.)

Only three people sit between F and G. This implies, F has to sit opposite G, at 8.

Since H and G are not neighbors I will sit at 3 and H at 2.

The final arrangement:



**Question 87**

If all the persons are made to sit in alphabetical order in anti clockwise direction, starting from B, the positions of how many, excluding B, would remain unchanged ?

- A Four
- B Two
- C One

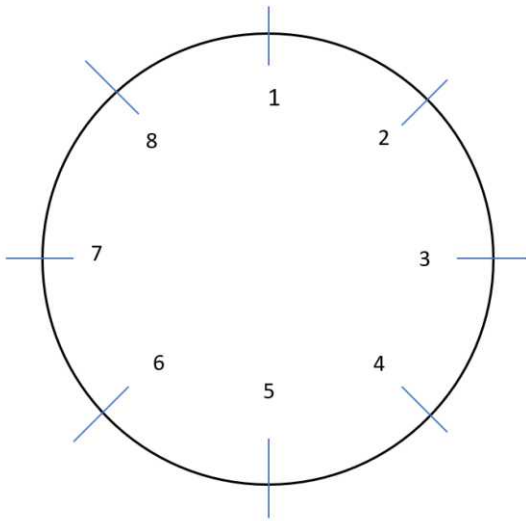
D Three

E None

**Answer:** C

**Explanation:**

Let's first number the 8 seats.



We know that C sits to the immediate left of G and E sits second to the left of C.

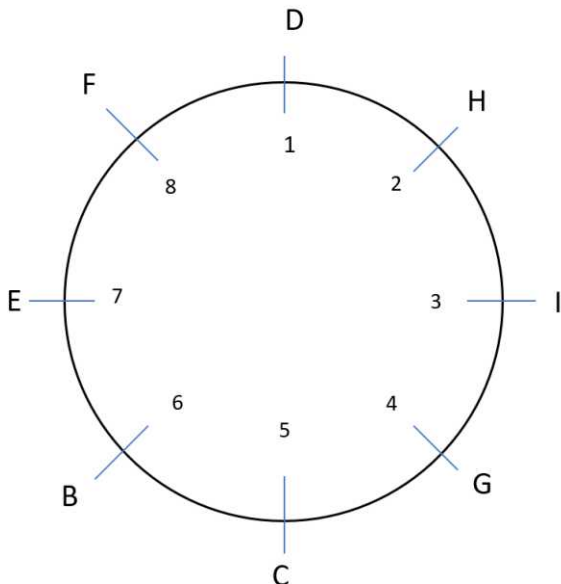
Thus, let C sit at 5. This implies, G sits at 4 and E at 7.

Only one person sits between E and D. Thus, D has to sit at 1. (5 is already occupied.)

Only three people sit between F and G. This implies, F has to sit opposite G, at 8.

Since H and G are not neighbors I will sit at 3 and H at 2.

The final arrangement:



[Download SBI Clerk Syllabus PDF](#)

**Question 88**

Which amongst the following statements is true regarding I, as per the given arrangement ?

A D sits second to the right of I.

**B** I is an immediate neighbour of both G and F.

**C** Only two people sit between I and C.

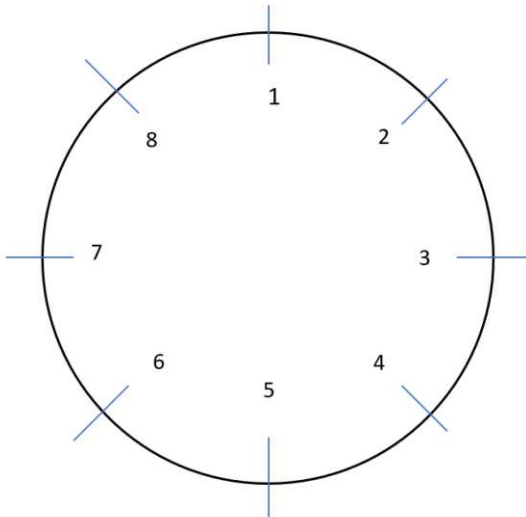
**D** Only four people sit between I and E.

**E** All statements are true.

**Answer: A**

**Explanation:**

Let's first number the 8 seats.



We know that C sits to the immediate left of G and E sits second to the left of C.

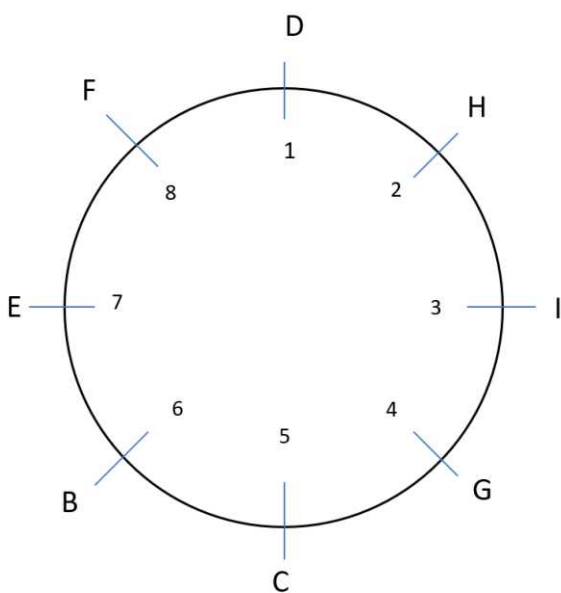
Thus, let C sit at 5. This implies, G sits at 4 and E at 7.

Only one person sits between E and D. Thus, D has to sit at 1. (5 is already occupied.)

Only three people sit between F and G. This implies, F has to sit opposite G, at 8.

Since H and G are not neighbors I will sit at 3 and H at 2.

The final arrangement:



**Instructions**

For the following questions answer them individually

**Question 89**

If two is added to the first three digits and three is subtracted from the last three digits in the number 657489, how many digits in the number thus formed will be multiples of 3 ?

- A One
- B None
- C Two
- D More than three
- E Three

**Answer:** C

**Explanation:**

Number : 657489

If two is added to the first three digits and three is subtracted from the last three digits, Number

$$= (6 + 2)(5 + 2)(7 + 2)(4 - 3)(8 - 3)(9 - 3)$$
$$= 879156$$

Thus, only 2 digits are multiples of 3

=> Ans - (C)

**Question 90**

Among five friends J, K, L, M and N each having a different number of pencils. K has more pencils than N but less than L. M has more pencils than L. J neither has the most nor the least number of pencils. Who amongst the following has the lowest number of pencils ?

- A Cannot be determined
- B M
- C N
- D L
- E K

**Answer:** C

**Explanation:**

K has more pencils than N but less than L, =>  $L > K > N$ .

M has more pencils than L, =>  $M > L$ .

Combining above statements, we get :  $M > L > K > N$

J neither has the most nor the least number of pencils.

Thus, N has the least number of pencils.

=> Ans - (C)

**GK Study Material for Banking Exams (Download PDF)**

**Question 91**

In a certain code, if 'they shouted loud' is written as '4 1 5' and 'loud music heard' is coded as '7 6 1', then what is the code for 'music' in the given code language ?

- A Either '4' or '6'
- B 5
- C 1
- D Either '6' or '7'
- E 4

Answer: D

**Explanation:**

The common word in both the statements is 'loud' which is coded as '1'

Now, for the remaining words in the second statement, i.e. 'music' and 'heard', are coded as 7 or 6

Thus, 'music' is coded as either '6' or '7'

=> Ans - (D)

**Instructions**

Study the given information carefully to answer the given questions.

Syne who is standing at point H, walks 11m towards east and reaches point R. She then takes a left turn and walks 7m to reach a point S. She takes a left turn, walks 5m and reaches point Q. Point G is 6m to the south of point H. Point B is 6m to the east of point G.

**Question 92**

How far and in which direction is point Q with respect to point B ?

- A 13 m towards north
- B 9 m towards north
- C 10 m towards south
- D 11 m towards south
- E 12 m towards east

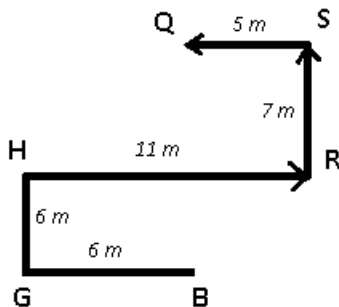
Answer: A

**Explanation:**

On walking 11 m towards east from H, Syne reaches R, then after taking a left turn for 7 m, she reaches S.

She then takes a left turn and walk for 5 m and finally stopped at Q.

Also, point G is 6m to the south of point H and point B is 6m to the east of point G.



Point Q is in north direction from point B.

Distance = 6 + 7 = 13 m

=> Ans - (A)

**Question 93**

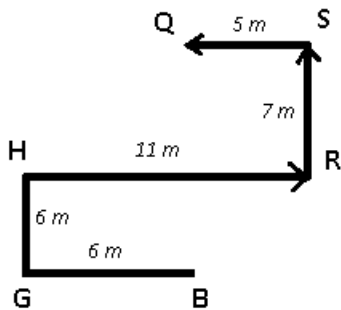
In which direction is point G with respect to point R ?

- A Southwest
- B Northwest
- C East
- D West
- E Southeast

**Answer:** A

**Explanation:**

On walking 11 m towards east from H, Syne reaches R, then after taking a left turn for 7 m, she reaches S. She then takes a left turn and walk for 5 m and finally stopped at Q. Also, point G is 6m to the south of point H and point B is 6m to the east of point G.



Point G is in south-west direction with respect to point R.

=> Ans - A

## SBI Clerk Free Mock Test (Latest Pattern)

**Instructions**

For the following questions answer them individually

**Question 94**

How many such pairs of letters are there in the word 'INKED' each of which has as many letters between them in the word (in both forward and backward directions) as they have between them in the English alphabetical series ?

- A None
- B More than three
- C Three
- D One
- E Two

**Answer:** E

**Explanation:**

Word - 'INKED'

There are 2 pairs of letters which have as many letters between them in the word as they have between them in the English alphabetical series

= (I,K) , (E,D)

=> Ans - (E)

### Instructions

Answer the questions based on the given arrangement:

D L J # 3 P + A W Z R E 8 G 2 N S = T 6 & Y 9 @ X 4 H U 5 ^ 7 B

### Question 95

In a certain code, based on the given arrangement, 'HER' is coded as '^ RG' and 'SUN' is coded as '6HT'. How will 'PAT' be coded following the same coding pattern ?

A J+Y

B WR=

C +3Y

D JWN

E W+Y

Answer: E

### Explanation:

Series : D L J # 3 P + A W Z R E 8 G 2 N S = T 6 & Y 9 @ X 4 H U 5 ^ 7 B

HER is coded as '^ RG'

The pattern followed is :

H	E	R
(+3)	(-1)	(+3)
^	R	G

'SUN' is coded as '6HT'

S	U	N
(+3)	(-1)	(+3)
6	H	T

Similarly, for PAT :

P	A	T
(+3)	(-1)	(+3)
W	+	Y

=> Ans - (E)

### Question 96

How many such letters are there in the given arrangement, each of which is immediately preceded by a symbol and also immediately followed by an even number ?

A More than three

B None

C One

D Two

E Three

Answer: D

**Explanation:**

T and X are the two letters which satisfy the conditions given in the question.

## SBI Clerk Previous Papers (Download PDF)

**Question 97**

Four of the following five are alike in a certain way based on their positions in the given arrangement and hence form a group. Which one does not belong to that group ?

- A R8Z
- B Y@&
- C 57U
- D 3+#
- E GS2

**Answer:** E

**Explanation:**

Series : D L J # 3 P + A W Z R E 8 G 2 N S = T 6 & Y 9 @ X 4 H U 5 ^ 7 B

The pattern followed is that the last letter is to the immediate left of the first letter, and this is not observed in GS2, hence it is the odd one out.

=> Ans - (E)

**Question 98**

If all the symbols are deleted from the given arrangement, then which of the following will be ninth element from the right end ?

- A Y
- B R
- C E
- D 6
- E 9

**Answer:** A

**Explanation:**

Series : D L J # 3 P + A W Z R E 8 G 2 N S = T 6 & Y 9 @ X 4 H U 5 ^ 7 B

If all the symbols are deleted from the given arrangement then, new series :

D L J 3 P A W Z R E 8 G 2 N S T 6 Y 9 X 4 H U 5 7 B

9th element from right end = Y

=> Ans - (A)

**Question 99**

Which one of the following will come next in the given sequence ? D#L PW+ E28 TY6 ?

- A H ^ U
- B H^4
- C 45U



D H@4

E X57

Answer: A

Explanation:

Series : D L J # 3 P + A W Z R E 8 G 2 N S = T 6 & Y 9 @ X 4 H U 5 ^ 7 B

Pattern : D#L PW+ E28 TY6 ?

1st term : D (+5 positions) = P (+6 positions) = E (+7 positions) = T (+8 positions) = H

2nd term : # (+5 positions) = W (+6 positions) = 2 (+7 positions) = Y (+8 positions) = ^

3rd term : L (+5 positions) = + (+6 positions) = 8 (+7 positions) = 6 (+8 positions) = U

Thus, missing term = **H^U**

=> Ans - (A)

## Free Banking Study Material (15,000 Solved Questions)

Instructions

For the following questions answer them individually

Question 100

In a certain code language, 'SEAL' is coded as 'NDGV' and 'LION' is coded as 'PRKO'. In the same .code language, 'HOLD' will be coded as :

A FOQK

B ENRK

C EOQR

D OMSJ

E FORL

Answer: A

Explanation:

'SEAL' is coded as 'NDGV'

Taking the code in reverse order, the pattern followed is :

S	E	A	L
(+3)	(+2)	(+3)	(+2)
V	G	D	N

Reverse code for LION : OKRP

L	I	O	N
(+3)	(+2)	(+3)	(+2)
O	K	R	P

Similarly, reverse code of HOLD is :

H	O	L	D
(+3)	(+2)	(+3)	(+2)
K	Q	O	F

=> HOLD : **FOQK**

=> Ans - (A)

**[Download Highly Rated Banking APP](#)**

**[SBI Clerk Free Mock Test \(Latest Pattern\)](#)**

**[SBI Clerk Previous Papers \(Download PDF\)](#)**

**[Free Banking Study Material \(15,000 Solved Questions\)](#)**

**[Download Highly Rated Banking APP](#)**

**[Free Banking Study Material \(15000 Solved Questions\)](#)**

**[SBI PO Solved Previous Papers \(Download PDF\)](#)**

**[Get Free Study Material & Updates - Whatsapp "Updates" to 7661025557](#)**

**[SBI PO Free Mocks \(Latest Pattern\)](#)**

**[Download SBI Clerk Syllabus PDF](#)**

**[GK Study Material for Banking Exams \(Download PDF\)](#)**