



SBI PO 1999

All rights reserved. No part of this publication may be reproduced, distributed, or transmitted in any form or by any means, electronic, mechanical, photocopying, recording or otherwise, or stored in any retrieval system of any nature without the permission of cracku.in, application for which shall be made to support@cracku.in

General Awareness

Instructions

For the following questions answer them individually

Question 1

Which of the following cricket players was not involved in the Australia- Pakistan "match fixing" ?

- A Salim Malik
- B Mark Waugh
- C Shane Warne
- D Steve Waugh
- E Wasim Akram

Answer: C

Question 2

The ambitious Hi-Tech city is being developed near the which of the following cities?

- A Chennai
- B Mumbai
- C Bangalore
- D Ahmedabad
- E Hyderabad

Answer: A

Question 3

Which of the following cricket tournaments Indian team has won at Sharjah in November 1998?

- A Pepsi Cup
- B Wills Cup
- C Coca Cola Cup
- D Sahara Cup
- E None of these

Answer: C

Question 4

What is the acronym "ISDN" stands for ?

- A International Satellite Data Network
- B International service Digital Network
- C Integrated services Digital Network

D International Satellite Digital Network

E None of these

Answer: C

Download Highly Rated Banking APP

Question 5

Which of the following Women are associated with the controversial movie?

**Deepa Mehta
Shabana Azmi
Nandita Das**

A A and B

B A,B,C

C Only B

D A and c

E None of these

Answer: B

Question 6

Who amongst the following has written the book " The Wings of Fire - An Autobiography

A Dr A.P.J Abdul Kalam

B Shobha De

C Atal Bihari Vajpayee

D K.R.Narayan

E None of these

Answer: A

Question 7

The first "Indian School of Business" with the collaboration of two top US Business Schools and Major Indian Industrialist ,is proposed to be established at which of the following cities?

A Chennai

B Bangalore

C Hyderabad

D Ahmedabad

E Mumbai

Answer: C

SBI PO Solved Previous Papers (Download PDF)

Question 8

In November 1998 ,besides Delhi ,M.P and Rajasthan which of the following was the fourth state where Assembly Elections Were hold?

- A Mizoram
- B Meghalaya
- C Arunachal Pradesh
- D Manipur
- E None of these

Answer: A

Question 9

Who among the following had been appointed as the Chairman of the Committee formed to solve the "dispute over" Inclusion of Haridwar and Udham Singh Nagar districts in proposed uttaranchal?

- A L.K Advani
- B Madan Lal Khurana
- C Sushma Swaraj
- D George Ferndej
- E None of these

Answer: D

Question 10

Which of the following countries was host for 13 th Asian Games 1998?

- A Singapore
- B Malaysia
- C Thailand
- D Indonesia
- E None These

Answer: A

Get Free Study Material & Updates - Whatsapp "Updates" to 7661025557

Question 11

How many Indian have Won Nobel Prizes before Prof.Amartya Sen?

- A 3

- B 4
- C 5
- D 6
- E None of these

Answer: C

Question 12

As per Insurance Regulatory Authority Bill, 1998 what is the maximum proposed unit in a foreign investor can have in an Indian Insurance Company?

- A 14 %
- B 26%
- C 36 %
- D 40 %
- E None of these

Answer: D

Question 13

On 18th November 1998 in which Zodiac Constellation " The Meteorite shower" caused by the Passage of the Temple Turtle " comet , was Visible"?

- A Scorpio
- B Leo
- C Aries
- D Virgo
- E None of these

Answer: B

SBI PO Free Mocks (Latest Pattern)

Question 14

Mr Jose Saramago who won the Nobel Prize for Literature 1998 ,belongs to which of the following countries?

- A spain
- B Italy
- C Ireland
- D Portugal
- E France

Answer: D

Question 15

Which of the following states has become the first state in the country to set up permanent Lok Adalats?

- A Kerala
- B Maharashtra
- C Karnataka
- D Rajasthan
- E Sikkim

Answer: D

Question 16

Which of the following statements is are true about the famous " Y2K" problem related to computers?

- a: Computers systems will not recognize the year 2000.
- b: This Problem will be effective on 31st December ,1999 midnight 12.00
- c: All the computers which are connected through INTERNET will stop functioning because of

- A Only a
- B Only b
- C Only c
- D Only a and b
- E Only a and c

Answer: D

SBI Clerk Free Mock Test (Latest Pattern)

Question 17

Anwar Ibrahim is facing corruption charges and now in jail ,was Deputy Prime Minister of which of the following countries ?

- A Indonesia
- B Thailand
- C Laos
- D Malaysia
- E Bangladesh

Answer: D

Question 18

To which of the countries "Miss World 98" belong?

- A France
- B Malaysia
- C Israel

D Venezuela

E Columbia

Answer: C

Question 19

In which of the following states ,farmers burnt their cotton crops in suspicion of "Terminator seed technology " based bollgard seeds?

Karnataka

Andhra Pradesh

Gujarat

A A only

B B only

C C only

D A and B only

E A and C only

Answer: B

SBI Clerk Previous Papers (Download PDF)

Question 20

Paramjit singh who broke a four decade ,old record in the National Open Athletic Meet 98 has set up a new record in ?

A 400 meters race

B high jump

C 400 meters hurdles

D long jump

E 100 meters jump

Answer: D

Question 21

who among the following will be head of the National Security Council?

A President

B Prime Minister

C Defence ministers

D Dy.Chairman ,Planning commission

E None of these

Answer: B

Question 22

Mr Luizinho Faleiro was recently in news because ?

- A He was elected as Goa CM
- B He was appointed as chief of Goa Congress
- C He was appointed as the Governor of Goa
- D Only a and b
- E None of these

Answer: D

Banking Daily Free Topic Test

Question 23

Chinese President Jiang Zemin visited which of the following countries as " historic visit to celebrate 20 th anniversary of the friendship treaty which of the that country ?

- A North Korea
- B Vietnam
- C South Korea
- D Japan
- E Thailand

Answer: D

Question 24

Gen Hazarika was recently in the news because he was ?

- A Awarded with sangeet Natak Academy Natak Award
- B Selected as a fellow of sangeet Natak Academy
- C Awarded with Sahitya Academy Award
- D Appointed as the Chairman of Sangeet Natak Academy
- E Selected as a fellow of Sahitya Academy for his contribution to Assamese Literature.

Answer: B

Question 25

Gen Augusto Pinochet who was recently in the news because of genocide charges on him ,is related which of the following Countries?

- A Spain
- B Chile
- C Venezuela

D Argentina

E Nigeria

Answer: C

Question 26

Who of the following is awarded with "Bharat Ratna" posthumously "?

A Netaji Subhash Chandra Bose

B Pt. Madan MOhan Malaviya

C Lok Nayak Jaya Prakash Narayan

D Mother Teresa

E None of these

Answer: C

Question 27

Which of the following is correct regarding to International Agreement on Landmines ?

It will become a law after 140 countries ratify it

Landmines will be eliminated with in ten years

All landmines will be eliminated in phased manner with in 20 years

A I only

B II only

C III only

D I,II,III are correct

E None of these

Answer: A

Question 28

Which of the following is correct about the 53rd general Assembly?

It took place in the September 98

India appealed for an universal Prohibition on nuclear Weapons

Pakistan raised the Kashmir issue

A 1 only

B 2 only

C 3 only

D All are correct

E None of these

Answer: D

Question 29

Which of the following allies of Countries attacked on the Iraq in December 1998?

- A France ,USA
- B Germany,Italy
- C USA,Kuwait
- D USA,Italy
- E Britain ,USA

Answer: C

Question 30

**Which of the following are correct about the constitution of National Security Council of India ?
National Security Council has been constituted which includes cabinet Cabinet committee on Security.
Indian Defence Minister is the chairman of the cabinet committee on National Security Council
Union Home Minister is the Member secretary of the Security Council**

- A 1 only
- B 2 only
- C 3 only
- D 1 and 3 only
- E All are correct

Answer: A

Question 31

The RBI Annual report 1997-98 has called for immediate precaution on the four sectors of the country .Which of the following is not Included in list?

- A Industrial Production
- B Inflation
- C Fiscal Deficit
- D Shortfall in export
- E Import

Answer: A

SBI PO Solved Previous Papers (Download PDF)

Question 32

Which of the following is correct about the Devastating hurricane which occurred in Central America on November 1 1999?

- A At Least 20,000 were killed by it
- B India and Japan received heavy rainfalls due to it

- C It said to be the hurricane return after three months with all types Vagaries
- D All are correct
- E None of these

Answer: A

Question 33

Which of the following countries is the first President of the recently Formed Permanent committee on the Information Technology Property Right ?

- A Japan
- B USA
- C France
- D Russia
- E None of these

Answer: C

Question 34

As per press report ,which of the following least prepared region will be facing the millennium bug fear ?

- A Asia
- B Australia
- C Britain
- D Russia
- E None of these

Answer: D

Get Free Study Material & Updates - Whatsapp "Updates" to 7661025557

Question 35

World vigilance Institute has cautioned that an Asian country will be be most populated country on earth in 2050 A.D. The name of that Country?

- A China
- B India
- C Pakistan
- D Nepal
- E None of these

Answer: B

Question 36

Which of the following is correct concerning The Protection of Intellectual property and Patent Protection

India attended the Paris convention on Intellectual Property and Patent Rights

India disagreed to participate in that Convention

India Agreed to Participate in the paris convention on the grounds that the country allowed to Enact the patents of Basmati Rice and Turmeric

- A 1 only
- B 2 only
- C 3 only
- D 1,2,3
- E 2 and 3 only

Answer: A

Question 37

Which of the following cities of india has become the desert city due to 24.4 percent use of the consumer price index?

- A Mumbai
- B Chandigarh
- C Delhi
- D Bangalore
- E None of these

Answer: D

SBI PO Free Mocks (Latest Pattern)

Question 38

Which part of the solar rays heats up the solar cookers ?

- A Infrared Rays
- B Cosmic Rays
- C Ultraviolet rays
- D Red light Rays
- E None of these

Answer: C

Question 39

Which of the following gases forms the largest part of air?

- A Carbon dioxide
- B Nitrogen

- C Organ
- D Oxygen
- E Chlorine

Answer: B

Question 40

Shree Govind Mishra Who was has been awarded the 1998 Vyas samman,is a?

- A Novelist
- B Cine Artist
- C Classical Dancer
- D Classical Singer
- E Agricultural Scientist

Answer: D

SBI Clerk Free Mock Test (Latest Pattern)

Question 41

Which of the following team won the hockey gold medal in recently held Asian games?

- A Pakistan
- B S.Korea
- C N.Korea
- D Italy
- E None of these

Answer: E

Question 42

According to the recent report how many cases are pending in various courts of india?(laksh)

- A 5
- B 10
- C 20
- D 30
- E 50

Answer: D

Question 43

Which of following pairs concerning award winners is incorrectly paired ?

- A Magsaysay Award for public services K.R. Narayana
- B Gandhi Award for 1998 -Sheikh haseena
- C Gandhi Peace Prize 1998 -Michael Sachinder
- D Livelihood rights Awards for 1997-Michael Sachinder
- E None of these

Answer: A

SBI Clerk Previous Papers (Download PDF)

Question 44

Which of the following bodies has started a regional Programme on Doordarshan Named Meena which focuses on the problems of girls ?

- A UNICEF
- B Child Relief Fund and You(CRY)
- C Anganwadi
- D National Women Commission
- E None of these

Answer: D

Question 45

According to estimate of the Union Commerce Ministry in which of the following years India can achieve an export of \$75 billions?

- A 1999-2000
- B 1999-2002
- C 2001-20002
- D 2000-2001
- E 1999-2005

Answer: C

Question 46

At which of the following places the 19th Summit of the chiefs of the countries of the Gulf Region of Cooperation Council Took place ?

- A Karachi
- B Doha
- C Abu Dhabi
- D Sharjah
- E None of these

Answer: B

Banking Daily Free Topic Test

Question 47

Jonathan Power , who won the recently held world open Squash Championship belongs to which country ?

- A Scotland
- B Canada
- C France
- D Italy
- E None of these

Answer: A

Question 48

A team of scientists has recently successfully cloned the 8 calves from single cell of a cow in which of the following country ?

- A Japan
- B Britain
- C Switzerland
- D USA
- E Germany

Answer: A

Question 49

Which of the following writers and their books are wrongly paired ?

- A The dark side of the Chamelot- Salman Rushdie
- B The Everest Hotel -Allen Shelly
- C Canvas if Life - Satish Chandra
- D Pride of Life- Persis Khambatta
- E Surviving Men

Answer: A

Question 50

Which of the following naval ships has been converted into a swimming museum in india ?

- A INS Hamla
- B INS Delhi

- C INS Khukri
- D INS Vikrant
- E None of these.

Answer: D

Download Highly Rated Banking APP

English

Instructions

Following statements have given in different parts like (A),(B),(C),(D), and you need to identify which part of the sentence has the error .if no statement have the error you can give your answer (E).

Question 51

This laboratory of physics is (A) / not only equipped with (B) / all state of the art instruments (C) / but also with outstanding physicists. (D) No error(E)

- A A
- B B
- C C
- D D
- E E

Answer: E

Explanation:

No error in the sentence.

SBI PO Solved Previous Papers (Download PDF)

Question 52

No method of making (A) / other people agree to (B) / your view-point is (C) / as effective as this method. (D) No error(E)

- A A
- B B
- C C
- D D
- E E

Answer: A

Question 53

I was pretty sure that (A) / he would support my views (B) / for changing the age-old (C) / and static structure of our organization. (D) No error(E)

- A A

- B B
- C C
- D D
- E E

Answer: C

Question 54

I did not like his (A) / comments on my paper (B) / but I had no alternative (C) / as I had agreed to keep quiet. (D) No error(E)

- A A
- B B
- C C
- D D
- E E

Answer: E

Get Free Study Material & Updates - Whatsapp "Updates" to 7661025557

Question 55

The report is candid in admitting (A) / that the investment by the government (B) / in healthy and family planning (C) / have been eroded considerably (D) No error(E)

- A A
- B B
- C C
- D D
- E E

Answer: D

Explanation:

In part D of the sentence, replace "have been" with "has been".

Instructions

Pick out the most effective word from the given words to fill in the blanks to make the sentence meaningfully complete

Question 56

Vision is usuallymost effectively when many different.....are used.

- A developed, manifestations
- B adapted, organizations
- C communicated, vehicles
- D exhibited, forms

E described, thought

Answer: A

Question 57

People who have been through difficult, painful and not very.....change efforts often end up.....both pessimistic and angry conclusions.

A successful, drawing

B meaningful, projecting

C reliable, evolving

D strong, following

E challenging, lamenting

Answer: B

SBI PO Free Mocks (Latest Pattern)

Question 58

The human mind is never; it advances or it.....

A absolute, diminishes

B dynamic, stops

C perfect, disintegrates

D stationary, retrogrades

E happy, decomposes

Answer: D

Question 59

If misery is the effect of ill-fortune, it ought to be pitied, if ofto be.....

A virtue, criticized

B clamity, revered

C virtue, protected

D vice, revered

E virtue, revered

Answer: C

Question 60

It would be impossible for us to continue living in this world if each of us..... exactly what fate had infor him.

A follow, plan

- B appreciate, strategy
- C design, anticipation
- D visualize, hidden
- E knew, store

Answer: E

SBI Clerk Free Mock Test (Latest Pattern)

Question 61

It is theof selfishness for man, who fullyin their own case the great advantages of good education, to deny these advantages to women.

- A parody, demand
- B height, appreciate
- C height, assimilate
- D degree, appreciate
- E level, advance

Answer: C

Question 62

The learner should beto take a small first step, one that will provide immediate success andthe learning.

- A encouraged, reinforce
- B forced, organise
- C directed, reorganize
- D cautioned, reinforce
- E encouraged, acknowledge

Answer: A

Question 63

His death.....more tributes than have been paid at theof any other human in history.

- A brought, passing
- B directed, helm
- C delivered, description
- D invited, living
- E acknowledged, perpetuate

Answer: A

SBI Clerk Previous Papers (Download PDF)

Question 64

Only with executive.....can the organization concentrate its energies oncompetitive advantage over time.

- A position, embarking
- B development, directing
- C contingent, fabricating
- D commitment, sustaining
- E satisfaction, moulding

Answer: D

Question 65

All the performances of human art, at which we look with praise or wonder, are.....of the restless.....of perseverance.

- A manifestations, pronouncement
- B projections, component
- C instances, force
- D proofs, humanity
- E visions, future

Answer: C

Instructions

Fill up the blanks in the passage given by most appropriate word from the options given for each blank:

Although John Wisdom's writings in Philosophy show clearly the influence of Wittgenstein, they nevertheless also display a(1) originality. Despite the (2) and difficulty of his style, a careful reading of Wisdom is seldom (3) He is unique kind of genius in Philosophy. This essay is an excellent example of Wisdom's repeated attempts to (4) the ultimate bases of philosophical perplexity. A great deal of the time Wisdom is (5) interested in finding out why metaphysicians feel (6) to utter such strange sentence e.g. "Time is unreal", "There are no material things", etc. According to Wisdom such sentences are both false (and perhaps meaningless) and year. (7) Even more than Wittgenstein, Wisdom has stressed the 'Therapeutic conception of Philosophy, a view that comes out clearly in this essay where the emphasises that analogy between philosophical and neurotic distress (8) them with other kinds of problems. The reader who is interested in gaining a fuller (9) with Wisdom's thought is referred to his famous article 'gods' in Philosophy and Psychoanalysis. Other Minds is most (10) discussion of a single topic and in many ways his finest work.

Question 66

16

- A concise
- B virtual
- C marked
- D limited
- E relative

Answer: A

Banking Daily Free Topic Test

Question 67

17

- A individuality
- B novelty
- C originality
- D complexity
- E creativity

Answer: A

Question 68

18

- A unprofitable
- B useful
- C advantageous
- D unreliable
- E durable

Answer: A

Question 69

19

- A jettison
- B delimit
- C augment
- D fortify
- E explore

Answer: A

Question 70

20

- A depressed
- B confined
- C alluded

D compelled

E adapted

Answer: A

Question 71

21

A illuminating

B damaging

C confusing

D critical

E unreliable

Answer: A

Question 72

22

A illuminating

B damaging

C confusing

D critical

E unreliable

Answer: A

Download Highly Rated Banking APP

Question 73

23

A compelling

B associating

C contrasting

D describing

E advocating

Answer: A

Question 74

24

A comparison

- B analysis
- C agreement
- D elaboration
- E acquaintance

Answer: A

Question 75

25

- A projected
- B sustained
- C prolonged
- D prolific
- E attributed

Answer: A

SBI PO Solved Previous Papers (Download PDF)

Instructions

Read the following given statements and arrange them in order in which they frame meaningful para .choose from the five alternatives one having the correct order of sentences.

Question 76

- A. It was with this invincible spirit that Netaji opposed Wavell's offer.
- B. "Japan's surrender is not India's surrender" he said.
- C. The revolutionary spirit of Netaji was never dampened even after surrender of Japan.
- D. He knew that a war of liberation demanded great spirit, great scourage and patience.

- A BCDA
- B BCAD
- C CBAD
- D DCBA
- E CBDA

Answer: E

Explanation:

The correct rearrangement is CBDA.

Question 77

- A. But all work is not education.
- B. In India, a majority of our people do hard work, strenuous physical work, but all are not educated.
- C. It aims at concrete and objective realization of the ideas and is of great educative value.
- D. "work" is that activity of man which has definite objective.

- A DCAB

- B BCDA
- C BACD
- D DBCA
- E CBAD

Answer: A

Question 78

- A. Hari Prasad Nanda is one such person who worked his way to the top from the scratch.
- B. A few of them has a spark of proved adventure and their initiative, dedication and sincerity brought them spectacular success.
- C. The partition of India and Pakistan made a number of migrants to India penniless.
- D. He rose to become a first - generation entrepreneur with the second largest complex to his credit.

- A ADBC
- B ADCB
- C CBAD
- D CBDA
- E BCDA

Answer: C

Get Free Study Material & Updates - Whatsapp "Updates" to 7661025557

Question 79

- A.They think that India will disintegrate like the Soviet Union or Yugoslavia.
- B. What will be the exact shape of India in 2000 A.D. can only be a matter of surmise.
- C.On the contrary, the blind patriots foresee a very bright future for India.
- D.The prophets of doom say that the future of India is doomed.

- A BCDA
- B BDAC
- C DABC
- D DBAC
- E BCAD

Answer: B

Question 80

- A: I wish I had more time, so that I could visit the odd nooks and corners of India.
- B:And yet I have not seen many parts of the country we love so much seeks to serve.
- C:Our own country is a little world by itself with an infinite variety and places for us to discover.
- D: I have traveled a great deal in this country and I have grown in years.

- A DCBA
- B DBCA
- C ADBC

D CDBA

E CBAD

Answer: A

Instructions

Read the following passage carefully and answer the questions given below. Certain words/phrases have been printed in bold to help you locate them.

Management is a set of processes that can keep a complicated system of people and technology running smoothly. The most important aspects of management include planning, budgeting, organising, staffing, controlling, and problem-solving. Leadership is a set of processes that creates organizations in the first place or adapts them to significantly changing circumstances. Leadership defines what the future should look like, aligns people with that vision, and inspires them to make it happen despite the obstacles. This distinction is absolutely crucial for our purposes here: Successful transformation is 70 to 90 per cent leadership and only 10 to 30 per cent management. Yet for historical reasons, many organizations today don't have much leadership. And almost everyone thinks about the problems here as one of managing. For most of this century, as we created thousands and thousands of large organizations for the first time in human history, we didn't have enough good managers to keep all those bureaucracies functioning. So many companies and universities developed management programmes, and hundreds and thousands of people were encouraged to learn management on the job. And they did. But, people were taught little about leadership. To some degree, management was emphasized because it's easier to teach than leadership. But even more so, management was the main item on the twentieth-century agenda because that's what was needed. For every entrepreneur or business builder who was a leader, we needed hundreds of managers to run their ever growing enterprises. Unfortunately for us today, this emphasis on management has often been institutionalized in corporate cultures that discourage employees from learning how to lead. Ironically, past success is usually the key ingredient in producing this outcome. The syndrome, as I have observed it on many occasions, goes like this: success creates some degree of market dominance, which in turn produces much growth. After a while keeping the ever larger organization under control becomes the primary challenge. So attention turns inward, and managerial competencies are nurtured. With a strong emphasis on management but not on leadership, bureaucracy and an inward focus take over. But with continued success, the result mostly of market dominance, the problem often goes unaddressed and an unhealthy arrogance begins to evolve. All of these characteristics then make any transformation effort much more difficult. Arrogant managers can over-evaluate their current performance and competitive position, listen poorly, and learn slowly. Inwardly focused employees can have difficulty seeing the very forces that present threats and opportunities. Bureaucratic cultures can smother those who want to respond to shifting conditions. And the lack of leadership leaves no force inside these organisations to break out of the morass.

Question 81

Why, according to the author, is a distinction between management and leadership crucial?

- A Leaders are reactive whereas managers are proactive.
- B Organisations are facing problems of not getting good managers.
- C Organisations are pursuing the strategy of status quo.
- D In today's context, organisations need leaders much more than managers in transforming them.
- E None of these

Answer: D

SBI PO Free Mocks (Latest Pattern)

Question 82

Why did companies and universities develop programmes to prepare managers in such a large number?

- A Companies and universities wanted to generate funds through these programmes.
- B A large number of organisations were created and they needed managers in good number.
- C Organisations did not want spend their scarce resources in training managers.

D Organisations wanted to create communication network through trained managers.

E None of these

Answer: D

Question 83

Which of the following is not the characteristic of bureaucratic culture?

A Managers listen poorly and learn slowly.

B Managerial competencies are nurtured.

C Employees clearly see the forces that present threats and opportunities.

D Prevalence of unhealthy arrogance.

E Managers tend to stifle initiative and innovation.

Answer: B

Question 84

Management education was emphasized in the management programmes because?

A establishing direction was the main focus of organisations

B motivating employees was thought to be done by managers

C strategies for producing change was the main focus of organisations

D organisations wanted to create powerful guiding coalition

E management was the main item of agenda in organizations

Answer: E

SBI Clerk Free Mock Test (Latest Pattern)

Question 85

What is the historical reason for many organisations not having leadership?

A A view that leaders are born they are not made

B Leaders lack managerial skills and organisations need managers V

C Leaders are weak in carrying out traditional functions of management

D Leaders allow too much complacency in organisations

E None of these

Answer: B

Question 86

Why does the attention of large organizations turn inward?

A Their managers become arrogant.

- B They have to keep themselves under control.
- C Their success creates market dominance.
- D They want to project their predictability.
- E None of these

Answer: A

Question 87

What, according to the author, is leadership?

- A Process which keeps the system of people and technology running smoothly
- B Planning the future and budgeting resources of the organisation
- C Inspiring people to realise the vision
- D Carrying out the crucial functions of management
- E None of these

Answer: C

SBI Clerk Previous Papers (Download PDF)

Question 88

Which of the following is SIMILAR in meaning to the word SMOTHER as used in the passage?

- A suppress
- B encourage
- C instigate
- D criticise
- E attack

Answer: A

Question 89

Which of the following is SIMILAR in meaning of the word NURTURED as used in the passage?

- A created
- B developed
- C thwarted
- D surfaced
- E halted

Answer: B

Question 90

Which of the following statements is/are definitely true in the context of the passage?

- A. Bureaucracy fosters strong and arrogant culture.
- B. Leadership competencies are nurtured in large-size organisations.
- C. Successful transformation in organizations is 70 to 90 per cent leadership.

- A Only A and B
- B Only A and C
- C Only B and C
- D Only B
- E Only C

Answer: A

Banking Daily Free Topic Test

Question 91

Which of the following statements is not TRUE in context of the passage?

- A Bureaucratic culture smoothers those who want to respond to change conditions
- B Leadership produces change and has the potential to establish direction
- C Pressure on managers come mostly from within
- D Leadership centers on carrying out important functions such as planning and problem solving
- E managers believe that they are the best and their idiosyncratic traditions are superior

Answer: D

Question 92

In the passage ,management is equated with the

- A Organization
- B Leadership
- C Organisation vision
- D Bureaucracy
- E Managerial Training

Answer: C

Question 93

Why companies and universities develops programmes to prepare managers in such a large Number ?

- A Companies and universities wanted to generate funds through these programmes
- B The large Number of the organisations were created and they needed the managers in good number

- C Organisations did not want to spend their scarce resources in training managers
- D Organisations wanted to create communication network through the trained managers
- E None of these

Answer: D

Question 94

Which of the following characteristics helps organizations in their transformation efforts?

- A Emphasis on leaderships but not management
- B A strong and dogmatic culture
- C Bureaucratic and inward looking approach
- D Failing to acknowledge the value of customers and shareholders
- E None of these

Answer: A

Question 95

Why were people taught little about the leadership in management programmes?

- A Teachers were busy in understanding the phenomenon of leaderships
- B Enough study material was not developing managers
- C Focus of these programmes was on developing managers
- D Leaderships was considered only a political phenomenon
- E None of these

Answer: D

Instructions

Study the following given idiomatic expression and its four possible meanings .find out the correct meaning as your as given statements. Answer (E) if you don't find the correct meaning

Question 96

To catch Tartar

- A To catch a dangerous person
- B To deal with a person who is more than ones match
- C To trap a wanted criminal with great difficulty
- D To live carefully and continuously
- E None of these

Answer: B

Download Highly Rated Banking APP

Downloaded from cracku.in

Question 97

In the blues

- A Having many blues
- B Being Colorful
- C Behave like a lord
- D Melancholy and low spirited
- E None of these

Answer: D

Question 98

To slow the white feather

- A To try to be the beautiful
- B To perform a good deed
- C To show courage before enemy
- D To be calm and Quite
- E None of these

Answer: D

Question 99

To play fast and loose

- A To be narrow minded
- B To play a good game
- C To act in an unreliable way
- D To defeat a person
- E None of these

Answer: E

[SBI PO Solved Previous Papers \(Download PDF\)](#)

Question 100

Wear one's heart in the one's sleeve

- A To show one's feelings
- B To be most intimate
- C To love passionately
- D To do the right thing

E None of these

Answer: A

Get Free Study Material & Updates - Whatsapp "Updates" to 7661025557

Quant

Instructions

For the following questions answer them individually

Question 101

What should come in place of the question marks in the following equations?

$$24 = \sqrt{?}^{\frac{72}{?}}$$

A 12

B 16

C 114

D 144

E None of these

Answer: D

Explanation:

$$\text{Expression : } 24 = \sqrt{?}^{\frac{72}{?}}$$

$$\Rightarrow (?)^{(1+\frac{1}{2})} = 72 \times 24$$

$$\Rightarrow (?)^{\frac{3}{2}} = 1728 = 12^3$$

Multiplying exponents by $(\frac{2}{3})$ on both sides

$$\Rightarrow (?)^{\frac{3}{2} \times \frac{2}{3}} = (12)^{3 \times \frac{2}{3}}$$

$$\Rightarrow (?) = 12^2 = 144$$

\Rightarrow Ans - (D)

SBI PO Free Mocks (Latest Pattern)

Question 102

If the height of a triangle is decreased by 40% and its base is increased by 40%, what will be the effect on its area?

A No change

B 16 % increase

C 8% decrease

D 16% decrease

E None of these

Answer: D

Explanation:

Let base and height of the triangle be 10 cm each

Area of original triangle, $\Delta = \frac{1}{2} \times 10 \times 10 = 50 \text{ cm}^2$

If the height of a triangle is decreased by 40%, \Rightarrow New height = $10 - \frac{40}{100} \times 10 = 6 \text{ cm}$

and it's base is increased by 40%, \Rightarrow New base = $10 + \frac{40}{100} \times 10 = 14 \text{ cm}$

Area of new triangle, $\Delta' = \frac{1}{2} \times 6 \times 14 = 42 \text{ cm}^2$

\therefore Area **decreases** by = $\frac{\Delta - \Delta'}{\Delta} \times 100$

= $\frac{50 - 42}{50} \times 100 = 8 \times 2 = 16\%$

\Rightarrow Ans - (D)

Question 103

In 1 kg of a mixture of sand and iron, 20% is iron .How such sand should be added so that the proportion of iron becomes 10%

- A 1 kg
- B 200gm
- C 800 gm
- D 1.8 kg
- E None of these

Answer: A

Explanation:

Total mixture of sand and iron = 1 kg

Quantity of iron = $\frac{20}{100} \times 1 = 0.2 \text{ kg}$

Let x kg of sand should be added, thus total iron in the mixture

$\Rightarrow 0.2 = \frac{10}{100} \times (x + 1)$

$\Rightarrow 2 = x + 1$

$\Rightarrow x = 2 - 1 = 1 \text{ kg}$

\Rightarrow Ans - (A)

Question 104

The denominator of a fraction is 2 more than thrice it's numerator.If the numerator as well as denominator are increased by one,the fraction becomes $\frac{1}{3}$.what was that the original fraction?

- A $\frac{2}{8}$
- B $\frac{3}{11}$
- C $\frac{4}{14}$
- D $\frac{5}{17}$
- E Cannot be determined

Answer: E

Explanation:

Let the numerator = x

\Rightarrow Denominator = $(3x + 2)$

$$\text{Fraction} = \frac{x}{3x+2}$$

If the numerator as well as denominator are increased by one

$$\Rightarrow \frac{x+1}{3x+2+1} = \frac{1}{3}$$

$$\Rightarrow \frac{x+1}{3x+3} = \frac{1}{3}$$

$$\Rightarrow 3x + 3 = 3x + 3$$

It cannot be solved, thus x can take any value and the fraction can be $2/8, 3/11, 4/14, \dots$

\Rightarrow Ans - (E)

SBI Clerk Free Mock Test (Latest Pattern)

Question 105

If $2x+y = 15$, $2y+z = 25$ and $2z+x = 26$, what is value of z ?

- A 4
- B 7
- C 9
- D 12
- E None of these

Answer: E

Explanation:

Equation (i) : $2x + y = 15$

Equation (ii) : $2y + z = 25$

Equation (iii) : $2z + x = 26$

Adding the three equations, $\Rightarrow 3x + 3y + 3z = 15 + 25 + 26$

$$\Rightarrow 3(x + y + z) = 66$$

$$\Rightarrow x + y + z = \frac{66}{3} = 22 \text{ -----(iv)}$$

Subtracting equation (i) from (iv), $\Rightarrow (z) + (x - 2x) + (y - y) = (22 - 15)$

$$\Rightarrow z - x = 7 \text{ -----(v)}$$

Adding equations (v) and (iii), $\Rightarrow 3z = 26 + 7 = 33$

$$\Rightarrow z = \frac{33}{3} = 11$$

\Rightarrow Ans - (E)

Instructions

In the following some of the combinations of operations and an operand

A: means ' $\div 3$ '

B: means ' $\times 3$ '

C: means ' -3 '

D: means ' $+3$ '

E: means ' $\div 2$ '

F: means ' $\times 2$ '

G: means ' -2 '

H: means ' $+2$ '

Question 106

$42 \times 21 - 12 \div 3 = 880$

- A A
- B F
- C G
- D D
- E None of these

Answer: E

Explanation:

Expression : $42 \times 21 - 12 \div 3 = 880$

L.H.S. = $42 \times 21 - 12 \div 3 = 882 - 12 \div 3$

(A) : A

$$= 882 - 12 \div 3 = 882 - 4 = 878$$

(B) : F

$$= 882 - 12 \times 2 = 882 - 24 = 858$$

(C) : G

$$= 882 - 12 - 2 = 882 - 14 = 868$$

(D) : D

$$= 882 - 12 + 3 = 882 - 9 = 873$$

=> Ans - (E)

Question 107

$36 + 12 \div 3 = 48$

- A A followed by F
- B A followed by B
- C B followed by F
- D C followed by A
- E None of these

Answer: B

Explanation:

Expression : $36 + 12 \div 3 = 48$

L.H.S. = $36 + 12 \div 3$

(A) : A followed by F

$$= 36 + 12 \div 3 \times 2 = 36 + \frac{12}{3} \times 2$$

$$= 36 + 8 = 44$$

(B) : A followed by B

$$= 36 + 12 \div 3 \times 3 = 36 + 12 = 48 = \text{R.H.S.}$$

=> Ans - (B)

SBI Clerk Previous Papers (Download PDF)

Question 108

$$48? + 12 \times 4 = 80$$

- A E followed by B
- B D followed by A
- C F followed by A
- D B followed by F
- E None of these

Answer: C

Explanation:

$$\text{Expression : } 48? + 12 \times 4 = 80$$

$$\text{L.H.S.} = 48? + 12 \times 4 = 48 ? + 48$$

(A) : F followed by A

$$= 48 \div 3 \times 2 + 48$$

$$= 32 + 48 = 80 = \text{R.H.S.}$$

=> Ans - (C)

Question 109

$$18 \times 3 \div 2 + 3 < 27 ?$$

- A D followed by A
- B A followed by G
- C D followed by G
- D D followed by H
- E None of these

Answer: D

Explanation:

$$\text{Expression : } 18 \times 3 \div 2 + 3 < 27 ?$$

$$\text{L.H.S} = 18 \times 3 \div 2 + 3$$

$$= \frac{54}{2} + 3 = 30$$

Now, R.H.S. should be greater than 30

$$\text{R.H.S.} = 27 ?$$

(A) : D followed by A

$$= 27 + 3 \div 3 = 27 + 1 = 28$$

(B) : A followed by G

$$= 27 \div 3 - 2 = 9 - 2 = 7$$

(C) : D followed by G

$$= 27 + 3 - 2 = 28$$

(D) : D followed by H

$$= 27 + 3 + 2 = 32$$

=> Ans - (D)

Question 110

$$(48+9) \div 19 \times 2 = 12 ?$$

A A followed by H

B B followed by E

C C followed by A

D A followed by D

E None of these

Answer: A

Explanation:

Expression : $(48+9) \div 19 \times 2 = 12 ?$

$$\text{L.H.S.} = (48+9) \div 19 \times 2$$

$$= \frac{57}{19} \times 2 = 6$$

$$\text{R.H.S.} = 12 ?$$

(A) : A followed by H

$$= 12 \div 3 + 2 = 4 + 2 = 6$$

=> Ans - (A)

Banking Daily Free Topic Test

Instructions

Study the following table carefully and answer the given questions

Year	Rural		Semi-Urban		Metropolises	
	Appeared	Passed	Appeared	Passed	Appeared	Passed
1990	1652	208	7894	2513	9538	3214
1991	1839	317	8562	2933	10158	4018
1992	2153	932	8139	2468	9695	3038
1993	5032	1798	9432	3528	11247	5158
1994	4915	1658	9784	4015	12518	6328
1995	5628	2392	9969	4263	13624	6419

Question 111

For the candidates from which of the following locations was there continuous increase both in the appeared and the passed?

A Semi urban

B State Capitals

C State capitals and rural

D Metropolis

E None of these

Answer: E

Explanation:

In Rural location, the number of candidates appeared in 1994 decreased as compared to 1993.

Similarly, in semi-urban and Metropolises location, the number of candidates appeared in 1992 decreased as compared to 1991.

Thus, in none of the locations, there was a continuous increase both in the appeared and the passed.

=> Ans - (E)

Question 112

In which of the following years was the percentage of candidates qualified to the appeared from the semi-urban area least?

- A 1991
- B 1993
- C 1990
- D 1992
- E None of these

Answer: D

Explanation:

Percentage of candidates qualified to the appeared from the semi-urban area in :

$$(A) : 1991 = \frac{2933}{8562} \times 100 = 34.25\%$$

$$(B) : 1993 = \frac{3528}{9432} \times 100 = 37.40\%$$

$$(C) : 1990 = \frac{2513}{7894} \times 100 = 31.83\%$$

$$(D) : 1992 = \frac{2468}{8139} \times 100 = 30.32\% \quad \text{[MINIMUM]}$$

=> Ans - (D)

Question 113

what was the percentage drop in the Number of semi urban candidates qualified to the appeared from 1991 to 1992?

- A 5
- B 10
- C 15
- D 8
- E 12

Answer: A

Explanation:

Percentage of qualified candidates to appeared candidates in Semi-Urban in 1991

$$= \frac{2933}{8562} \times 100 = 34.25 \approx 34\%$$

Percentage of qualified candidates to appeared candidates in Semi-Urban in 1992

$$= \frac{2468}{8139} \times 100 = 30.32 \approx 30\%$$

∴ Percentage drop = $34 - 30 = 4 \approx 5\%$

=> Ans - (A)

Question 114

In 1993 the percentage of candidates qualified to the appeared was 35 from which location?

- A Rural
- B Rural and Metropolises
- C Semi-urban and metropolises
- D Rural and semi urban
- E None of these

Answer: A

Explanation:

Percentage of qualified candidates to appeared candidates in 1993 in :

$$\text{Rural} = \frac{1798}{5032} \times 100 = 35.73\%$$

$$\text{Semi-Urban} = \frac{3528}{9432} \times 100 = 37.40\%$$

$$\text{Metropolises} = \frac{5158}{11247} \times 100 = 45.86\%$$

Thus, from rural location the percentage of candidates qualified to the appeared was approximately 35 in 1993

=> Ans - (A)

Question 115

The total number of candidates qualified from Rural in 1993 and the semi urban in 1990 was exactly equal to the total no of candidates qualified from state -capitals in which of the following years?

- A 1990
- B 1993
- C 1994
- D 1992
- E None of these

Answer: E

Explanation:

Number of candidates qualified from Rural in 1993 = 1798

Number of candidates qualified from Semi-Urban in 1990 = 2513

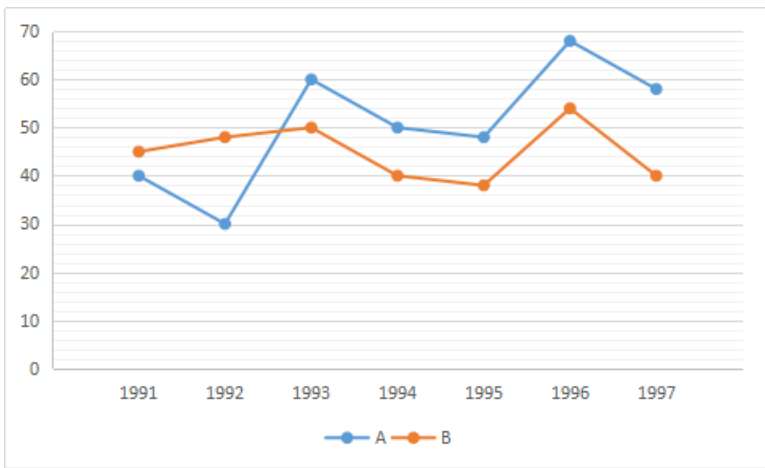
Total = 1798 + 2513 = 4311

Clearly, in none of the year, total number of qualified candidates from state capitals (Metropolises) is equal to 4311

=> Ans - (E)

Instructions

Study the following graph carefully and answer the questions given below it.
Net Profit Percentage of the two Companies over the years?



Question 116

If the total income

- A 100 crores
- B 110 crore
- C 98 crore
- D Data Inadequate
- E None of these

Answer: A

Download Highly Rated Banking APP

Question 117

If the total Expenditure of 1993 and 1994 together of company B was Rs 270 crore, What was the total income of the in these companies?

- A 121.5 crore
- B 135 crore
- C 140 crore
- D Data inadequate
- E None of these

Answer: D

Explanation:

Total Expenditure of 1993 and 1994 together of company B = Rs 270 crore

Also, profit % in 1993 = 50% and in 1994 = 40% for company B

But, no relation is given between the expenditures of both years or income of both years.

Thus, we cannot determine the total income for both years.

=> Ans - (D)

Question 118

In how many of the given years the percentage of expenditure to the income of company A was less than fifty?

- A One
- B Two
- C Three
- D Four
- E None of these

Answer: E

Explanation:

For percentage of expenditure to the income of company A to be less than fifty, $\Rightarrow \frac{E}{I} \leq \frac{1}{2}$

$$\Rightarrow 2E \leq I, \Rightarrow I - E \geq E$$

It can be written as,

$$\Rightarrow \frac{I-E}{E} \times 100 \geq 100$$

Thus, profit % should be more than 100% and clearly, for none of the years, profit percent for company A is more than 100%.

\Rightarrow Ans - (E)

Question 119

If the total expenditure of company B in 1994 was Rs.200 crore ,what was the total income ?

- A 160 crores
- B 240 crores
- C 260 crore
- D Data Inadequate
- E None of these

Answer: E

Explanation:

Total expenditure of company B in 1994 = Rs.200 crore

Profit % of company B in 1994 = 40%

Let total income = Rs. x crore

$$\Rightarrow \text{Profit \%} = \frac{\text{Income} - \text{Expenditure}}{\text{Expenditure}} \times 100$$

$$\Rightarrow \frac{x-200}{200} \times 100 = 40$$

$$\Rightarrow \frac{x-200}{2} = 40$$

$$\Rightarrow x - 200 = 40 \times 2 = 80$$

$$\Rightarrow x = 80 + 200 = 280 \text{ crore}$$

\Rightarrow Ans - (E)

SBI PO Solved Previous Papers (Download PDF)

Question 120

In which of the following years was the total income more than double the total expenditure in that year for Company B?

- A 1995
- B 1993
- C 1996
- D 1992
- E None of these

Answer: E

Explanation:

For income to be more than double the total expenditure, the profit % = $\frac{2I - I}{I} \times 100 = 100\%$

=> Profit % must be more than 100%

But, as clearly seen from the line graph, for company B, the profit percent is not more than 100% for any year

=> Ans - (E)

Instructions

For the following questions answer them individually

Question 121

In a box carrying one dozen of oranges one third have become bad. If 3 oranges taken out from the box random, what is the probability that at least one orange out of the 3 oranges picked up is good?

- A 1/55
- B 54/55
- C 45/55
- D 3/55
- E None of these

Answer: B

Explanation:

Total number of oranges in the box = 12

Number of ways of selecting 3 oranges out of 12 oranges, $n(S) = C_3^{12}$

$$= \frac{12 \times 11 \times 10}{1 \times 2 \times 3} = 220$$

Number of oranges which became bad = $\frac{12}{3} = 4$

Number of ways of selecting 3 oranges out of 4 bad oranges = $C_3^4 = C_1^4 = 4$

Number of desired selection of oranges, $n(E) = 220 - 4 = 216$

$$\therefore P(E) = \frac{n(E)}{n(S)}$$

$$= \frac{216}{220} = \frac{54}{55}$$

=> Ans - (B)

Question 122

Letters of the word DIRECTOR are arranged in such a way that all the vowel come together. Find the No of ways making such arrangement?

- A 4320
- B 720
- C 2160
- D 120
- E None of these

Answer: A

Explanation:

Word - DIRECTOR

So "I,E,O" are there are 3! ways to arrange the vowels

Now "D,R,C,T,R" are the remaining alphabets .

Condition is that the vowels should always be together so we can assume the vowels as a single alphabet/unit say "X" ('X'='I,E,O') so now we have a new word - "D,R,C,T,R,X"

Possible arrangements for this word = 6!

Thus total number of ways to rearrange DIRECTOR with vowels grouped together = (Possible arrangements of 'DRCTR X') × (Possible arrangements of vowels)

$$= 6! \times 3! = 720 \times 6 = 4320$$

=> Ans - (A)

Get Free Study Material & Updates - Whatsapp "Updates" to 7661025557

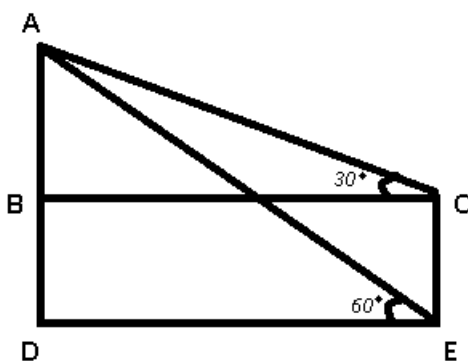
Question 123

The top of 15 meters high tower makes an angle of depression of 60 degrees with the bottom of a electric pole and an angle of 30 degrees with the top of the pole. What is the height of the electric pole?

- A 5 meters
- B 8 meters
- C 10 meters
- D 12 meters
- E None of these

Answer: C

Explanation:



AD is the tower = 15 m and CE is the electric pole

Let $AB = x$ m and $DE = BC = y$ m

Also, $\angle AED = 60^\circ$ and $\angle ACB = 30^\circ$

In $\triangle ADE$, $\Rightarrow \tan(\angle AED) = \frac{AD}{DE}$

$$\Rightarrow \tan(60) = \sqrt{3} = \frac{15}{y}$$

$$\Rightarrow y = \frac{15}{\sqrt{3}} = 5\sqrt{3} \text{ m}$$

In $\triangle ABC$, $\Rightarrow \tan(\angle ACB) = \frac{AB}{BC}$

$$\Rightarrow \tan(30) = \frac{1}{\sqrt{3}} = \frac{x}{5\sqrt{3}}$$

$$\Rightarrow x = 5 \text{ m}$$

$\therefore CE = AD - AB = 15 - 5 = 10$ meters

\Rightarrow Ans - (C)

Question 124

which of the following values satisfy the inequality ?

$P(P-3) < 4P-12$?

A $p > 4$ or $p < 3$

B $4 \leq P < 7$

C $P > 3, P \leq 5$

D 3

E $P = 4, P = -3$

Answer: A

Explanation:

Expression : $P(P - 3) < 4P - 12$

$$\Rightarrow P^2 - 3P - 4P + 12 < 0$$

$$\Rightarrow P^2 - 7P + 12 < 0$$

$$\Rightarrow (P - 3)(P - 4) < 0$$

$$\Rightarrow P < 3 \text{ and } P > 4$$

\Rightarrow Ans - (A)

Question 125

A circular Ground whose diameter is 35 meters has a 1.4 meters broad garden around it. What is the area of the garden in square meters ?

A 160.16

B 6.16

C 1122.66

D Data Inadequate

E None of these

Answer: A

Explanation:

Radius of circular ground = $r = \frac{35}{2} = 17.5$ m and width of broad garden = 1.4 m

=> Radius of outer circle (ground+garden), $R = 17.5 + 1.4 = 18.9$ m

Area of garden = Area of outer circle - Area of inner circle

$$= \pi R^2 - \pi r^2 = \pi(R - r)(R + r)$$

$$= \frac{22}{7} (18.9 - 17.5)(18.9 + 17.5)$$

$$= \frac{22}{7} \times 1.4 \times 36.4$$

$$= 22 \times 0.2 \times 36.4 = 160.16 \text{ m}^2$$

=> Ans - (A)

SBI PO Free Mocks (Latest Pattern)

Instructions

Read the following Table and answer the given questions

Subjects	Student P					Subjects	Student Q					
	I	II	III	IV	V		I	II	III	IV	V	V
Maths	40	30	45	20	35	Maths	30	20	35	45	40	40
Science	30	40	25	30	20	Science	25	45	30	37	28	28
History	35	25	15	30	40	History	33	27	40	34	26	26
Geography	45	47	32	39	37	Geography	42	43	30	40	25	25
English	24	28	36	39	43	English	30	28	37	34	31	31

Subjects	Student R					Subjects	Student S				
	I	II	III	IV	V		I	II	III	IV	V
Maths	30	36	40	45	40	Maths	25	35	40	45	30
Science	48	46	31	40	80	Science	31	34	38	27	30
History	35	45	40	30	35	History	34	40	36	42	48
Geography	25	35	48	37	25	Geography	39	37	44	40	30
English	26	28	31	30	40	English	31	34	35	45	40

Subjects	Student T				
	I	II	III	IV	V
Maths	29	31	39	41	40
Science	44	36	40	30	40
History	37	43	35	45	40
Geography	38	39	33	40	40
English	30	30	35	45	40

Question 126

What was the average marks of five Subjects of Q in the periodical I ?

- A 32
- B 34
- C 40
- D 30
- E None of these

Answer: A

Explanation:

Total marks of five Subjects of Q in the periodical I

$$= 30 + 25 + 33 + 42 + 30 = 160$$

$$\Rightarrow \text{Required average} = \frac{160}{5} = 32$$

\Rightarrow Ans - (A)

Question 127

what was the total marks of the student's T in the science in all the periodicals together?

- A 160
- B 180
- C 190
- D 140
- E None of these

Answer: C

Explanation:

Total marks of the student's T in the science in all the periodicals together

$$= 44 + 36 + 40 + 30 + 40$$

$$= 190$$

\Rightarrow Ans - (C)

Question 128

The average percentage of marks obtained by student P in Maths in five periodicals was exactly equal to the average percentage of marks obtained by Student R in the five periodicals in which of the following subjects ?

- A English
- B Geography
- C Science and Geography
- D Maths
- E None of these

Answer: B

Explanation:

Total marks obtained by student P in Maths = $40 + 30 + 45 + 20 + 35 = 170$

$$\Rightarrow \text{Average marks of P in Maths} = \frac{170}{5} = 34$$

Marks scored by student R in subject :

$$\text{Maths} = 30 + 36 + 40 + 45 + 40 = 191$$

$$\text{Science} = 48 + 46 + 31 + 40 + 80 = 245$$

$$\text{History} = 35 + 45 + 40 + 30 + 35 = 185$$

$$\text{Geography} = 25 + 35 + 48 + 37 + 25 = 170$$

$$\Rightarrow \text{Average marks of R in Geography} = \frac{170}{5} = 34$$

\Rightarrow Ans - (B)

SBI Clerk Free Mock Test (Latest Pattern)

Question 129

In which of the following subjects was the average percentage of marks obtained by student S the highest?

- A Maths
- B Science
- C History
- D Geography
- E English

Answer: C

Explanation:

Total marks obtained by student S in subject :

$$\text{Maths} = 25 + 35 + 40 + 45 + 30 = 175$$

$$\text{Science} = 31 + 34 + 38 + 27 + 30 = 160$$

$$\text{History} = 34 + 40 + 36 + 42 + 48 = 200 \quad \text{[MAXIMUM]}$$

$$\text{Geography} = 39 + 37 + 44 + 40 + 30 = 190$$

$$\text{English} = 31 + 34 + 35 + 45 + 40 = 185$$

=> Ans - (C)

Question 130

In which of the following periodicals, the student P obtained highest percentage of the marks?

- A I
- B II
- C III
- D IV
- E V

Answer: E

Explanation:

Total marks obtained by student P :

$$\text{I} = 40 + 30 + 35 + 45 + 24 = 174$$

$$\text{II} = 30 + 40 + 25 + 47 + 28 = 170$$

$$\text{III} = 45 + 25 + 15 + 32 + 36 = 153$$

$$\text{IV} = 20 + 30 + 30 + 39 + 39 = 158$$

$$\text{V} = 35 + 20 + 40 + 37 + 43 = 175 \quad \text{[MAXIMUM]}$$

=> Ans - (E)

Instructions

In each of the following questions a question is asked followed by three statements. You have to study the questions and all the given three statements and all the statements and decide whether any information provided in the statement are redundant and can be dispensed with while answering the questions ?

Question 131

8 men and 14 women are working together in a field. After working for 3 days, 5 men and 8 women leave the work. How many more days will be required to complete the work?

- I. 19 men and 12 women together can complete the work in 18 days.
- II. 16 men can complete two-third of the work in 16 days.
- III. In a day, the work done by three men is equal to the work done by four women.

- A I only
- B II only
- C III only
- D II or III only
- E I or II or III

Answer: A

SBI Clerk Previous Papers (Download PDF)

Question 132

what is the area of the given right angle triangle ?

- I. Length of the hypotenuse is 5 cm
- II. perimeter of the triangle is four times its base
- III. one of the angles of the triangle is 60 degrees

- A I only
- B II only
- C II or III only
- D II and III both
- E Data inadequate

Answer: B

Explanation:

To find the area of right angled triangle, we need to know the base and height or the length of any side if its a 30-60-90 triangle

From statement I and III, two angles are 90° and 60° , \Rightarrow Third angle = 30°

In a 30-60-90 triangle, the hypotenuse is always twice as long as the side opposite the 30° angle and the side opposite the 60° angle is $\sqrt{3}$ times as long as the side opposite the 30° angle.

The ratio of sides opposite 30° , 60° and 90° angles = $1 : \sqrt{3} : 2$

Length of the side opposite the 90° angle (hypotenuse) = 5 cm

\Rightarrow Length of side opposite the 30° angle = $\frac{5}{2} = 2.5$ cm

and length of side opposite to 60° angle = $2.5\sqrt{3}$ cm

\therefore Area of triangle = $\frac{1}{2} \times 2.5 \times 2.5\sqrt{3} = 3.125\sqrt{3} \text{ cm}^2$

Thus, statement II is redundant.

\Rightarrow Ans - (B)

Question 133

Three friends X, Y, Z started a partnership business investing money in the ratio of the 5 : 4 : 2 respectively for a period of 3 years. What is the amount received by X as share in the total profit ?

I. Total amount invested in the business is Rs. 22,000

II. Profit was distributed after a period of 2 years

III. The average amount of profit earned per year is Rs 2,750

- A I only
- B II only
- C III Only
- D I and II only
- E I or II or III

Answer: D

Explanation:

Ratio of investment of X : Y : Z = 5 : 4 : 2

To find the share of profit earned by X (or anyone), we need to find the total profit earned.

From statement III : Average profit for 3 years = Rs. 2750

=> Total profit = $2750 \times 3 = \text{Rs. } 8250$

Amount received by X = $\frac{5}{(5+4+2)} \times 8250 = \text{Rs. } 3750$

Thus, statements I and II are redundant.

=> Ans - (D)

Question 134

How much time will the train X take to cross another train Y running in the opposite direction ?

I. Train X crosses a signal pole in 6 secs

II. Ratio of the speeds of trains X and Y is 3 : 2

III. Length of the two trains together is 500 meters

- A I only
- B II only
- C III only
- D I or II only
- E Data inadequate

Answer: E

Explanation:

To find the time taken by train X to cross train Y, we should know the sum of speed of the trains (as they are moving in opposite directions) and the sum of lengths of the train

In statement II, ratio of speed of train X : Y = 3 : 2

Thus, we cannot find the speeds of the two trains.

∴ Data is inadequate

=> Ans - (E)

Banking Daily Free Topic Test

Question 135

What will be the cost of the painting the four walls of a room with length, width and height is 5,3,8 meters respectively. The room has one window and one door.

I. Cost of painting per square meter is Rs 25

II. Area of window is 2.25 sq m which is half of the area of the door

III. Area of the room is 15 sq meter

- A I only
- B II only
- C III only
- D II or III only
- E All are required to answer the question

Answer: C

Explanation:

Length = 5 m, Breadth = 3 m and Height = 8 m

To find the cost of painting the walls of the room, we should know the cost of painting and the area of door and window.

Area of 4 walls (Curved Surface Area of cuboid) = $2h(l + b)$

$$= (2 \times 8)(5 + 3) = 16 \times 8 = 128 \text{ m}^2$$

From I & II : Cost = Rs 25 per square meter

Area of window = 2.25 m^2

and Area of door = $2 \times 2.25 = 4.5 \text{ m}^2$

Thus, area to be painted = $128 - 2.25 - 4.5 = 121.25 \text{ m}^2$

\therefore Cost of painting 4 walls = $25 \times 121.25 = \text{Rs } 3031.25$

Thus, statement III is redundant.

=> Ans - (C)

Instructions

Find the wrong number in the following series given below. And you have to assume that new series is starts with that number following the same logic as in the the given series which of the given following Numbers will be third number in that series?

Question 136

3 5 18 72 312 1650 9972

- A 636
- B 22
- C 82
- D 3312
- E 48

Answer: A

Question 137

3 4 10 34 136 685 4116

- A 22
- B 276
- C 72
- D 1374
- E 12

Answer: A

Question 138

214 18 162 62 143 90 106

- A -34
- B 110
- C 10
- D 91
- E 38

Answer: A

Question 139

160 80 120 180 1050 4725 25987.5?

- A 60
- B 90
- C 3564
- D 787.5
- E 135

Answer: A

Question 140

2 9 24 77 312 1566 9380

- A 38
- B 68
- C 644
- D 3152
- E 174

Answer: A

Download Highly Rated Banking APP

Instructions

For the following questions answer them individually

Question 141

If the ages of P and R added to twice the age of Q, the total becomes 59. If the age of Q and R are added to thrice age of P, the total becomes 68 and if the age of the P is added to thrice age of Q and thrice the age of R the total becomes 108. What is the age of P?

- A 15 years
- B 19 years
- C 17 years
- D 12 years
- E None of these

Answer: D

Explanation:

Let ages of P, Q and R be p, q, r respectively

$$\text{According to ques, } \Rightarrow (p + r) + 2q = 59 \text{ -----(i)}$$

$$\text{and } (q + r) + 3p = 68 \text{ -----(ii)}$$

$$\text{and } p + 3q + 3r = 108 \text{ -----(iii)}$$

$$\text{Multiplying equation (ii) by 3, } \Rightarrow 3q + 3r + 9p = 204 \text{ -----(iv)}$$

Subtracting equation (iii) from (iv), we get :

$$\Rightarrow (9p - p) = (204 - 108)$$

$$\Rightarrow 8p = 96$$

$$\Rightarrow p = \frac{96}{8} = 12 \text{ years}$$

\Rightarrow Ans - (D)

Question 142

Four of the following five parts numbered A, B, C, D, E are in the following equation are exactly equal. Which of the part is not equal to the other four. The number of that part is the answer

A $xy^2 - x^2y + 2x^2y^2$

B $xy^2(1 - 2x) + x^2y(2y - 1)$

C $xy^2(1 + 2x) - x^2y(2y + 1)$

D $xy[y(1 + x) - x(1 + y)]$

E $xy[(x + y)^2 + y(1 - y) - x(1 + x) - 2xy]$

Answer: A

Explanation:

(A) : $xy^2 - x^2y + 2x^2y^2$

$$= xy(y - x + 2xy)$$

$$(B) : xy^2(1 - 2x) + x^2y(2y - 1)$$

$$= (xy^2 - 2x^2y^2) + (2x^2y^2 - x^2y)$$

$$= xy^2 - x^2y = xy(y - x)$$

$$(C) : xy^2(1 - 2x) + x^2y(2y - 1)$$

$$= (xy^2 - 2x^2y^2) + (2x^2y^2 - x^2y)$$

$$= xy^2 - x^2y = xy(y - x)$$

$$(D) : xy[y(1 + x) - x(1 + y)]$$

$$= xy(y + xy - x - xy) = xy(y - x)$$

$$(E) : xy[(x + y)^2 + y(1 - y) - x(1 + x) - 2xy]$$

$$= xy[(x^2 + y^2 + 2xy) + (y - y^2) + (-x - x^2) - 2xy]$$

$$= xy(y - x)$$

=> Ans - (A)

Question 143

If the height of a triangle is decreased by 40% and its base is increased by 40%, what will be the effect on its area?

- A No change
- B 16 % increase
- C 8% decrease
- D 16% decrease
- E None of these

Answer: D

Explanation:

area of triangle = $1/2(\text{base} \times \text{height})$

after decreasing height by 40%, new height = $0.6H$

after increasing base by 40%, new base = $1.4B$

now, area of triangle = $1/2(1.4B \times 0.6H) = 0.84(1/2 \times B \times H)$

Area decreased by $100 - 84\% = 16\%$

so the answer is option D.

SBI PO Solved Previous Papers (Download PDF)

Question 144

The product of ages of Harris and Sharma is 240 .If twice the age of Sharma is more than Harris age by 4 years ,what is Sharma age in years?

- A 12
- B 20
- C 10
- D 14

E Data adequate

Answer: A

Explanation:

let age of sharma = x

let age of harris = y

$$xy = 240$$

$$2x = y+4$$

on solving these two equations

$$y = 20 \text{ or } -24$$

age must be positive, so $y = 20$

$$x = 12$$

answer is option A

Question 145

A 260 meter long train crosses a 120 meter long wall in 19 seconds .What is the speed of the train?

A 27 km/hr

B 49 km/hr

C 72 km/hr

D 70 km/hr

E None of these

Answer: C

Explanation:

Length of the train is 260 metres

Length of the wall is 120 metres

total is $260+120 = 380$ metres

Time taken is 19 seconds.

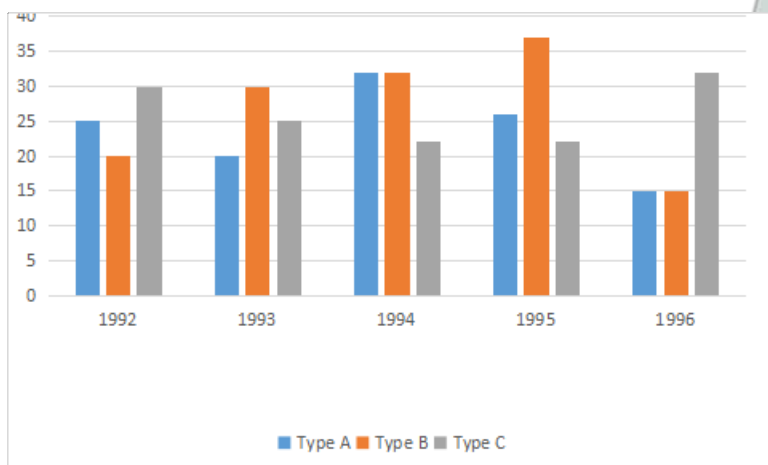
Hence, the speed is $380/19 = 20$ m/s = 72 Km/hr

Answer is option C

Instructions

Read the following graph carefully and answer questions given below it.

Production of three Different Types of Tyres by a Company over the Years (in lakhs)



Question 146

What was the percentage drop in the number of C type tyres manufactured from 1993 to 1994?

- A 25
- B 10
- C 15
- D 2.5
- E None of these

Answer: B

Explanation:

Number of C type tyres manufactured in 1993 (in lakhs) = 25

Number of C type tyres manufactured in 1994 (in lakhs) = 22.5

$$\Rightarrow \text{Required \% drop} = \frac{(25 - 22.5)}{25} \times 100$$

$$= 2.5 \times 4 = 10\%$$

\Rightarrow Ans - (B)

Get Free Study Material & Updates - Whatsapp "Updates" to 7661025557

Question 147

What was the difference between the number of B type tyres manufactured in 1994 and 1995?

- A 5,00,000
- B 20,00,000
- C 10,00,000
- D 15,00,000
- E None of these

Answer: A

Explanation:

Number of B type tyres manufactured in 1994 = 32.5 lakhs

Number of B type tyres manufactured in 1995 = 37.5 lakhs

$$\Rightarrow \text{Required difference} = (37.5 - 32.5) \text{ lakhs} = 5,00,000$$

\Rightarrow Ans - (A)

Question 148

The total number of all the three tyres manufactured was the least in which of the following years?

- A 1995
- B 1996
- C 1992

D 1994

E 1993

Answer: B

Explanation:

Total number of all the three tyres manufactured in (in lakhs) :

$$1992 : 25 + 20 + 30 = 75$$

$$1993 : 20 + 30 + 25 = 75$$

$$1994 : 32.5 + 32.5 + 22.5 = 87.5$$

$$1995 : 27.5 + 37.5 + 22.5 = 87.5$$

$$1996 : 15 + 15 + 32.5 = 62.5 \quad \text{[MIN]}$$

=> Ans - (B)

Question 149

In which of the following years was percentage production of B type tyres to C type tyres the maximum?

A 1994

B 1992

C 1996

D 1993

E 1995

Answer: E

Explanation:

Percentage production of B type tyres to C type tyres = Ratio of B type tyres to C type tyres in :

$$1992 = \frac{20}{30} = 0.67$$

$$1993 = \frac{30}{25} = 1.2$$

$$1994 = \frac{32}{22.5} = 1.4$$

$$1995 = \frac{37.5}{22.5} = 1.67 \quad \text{[MAX]}$$

$$1996 = \frac{15}{32.5} = 0.4$$

=> Ans - (E)

SBI PO Free Mocks (Latest Pattern)

Question 150

The total production of C type tyre in 1992 and 1993 together was what percentage of Production of B type tyres in 1994?

A 50

B 100

C 150

D 200

E None of these

Answer: E

Explanation:

Total production of C type tyre in 1992 and 1993 together (in lakhs) = 30 + 25 = 55

Production of B type tyres in 1994 (in lakhs) = 32.5

$$\Rightarrow \text{Required \%} = \frac{55}{32.5} \times 100$$

$$\approx 170\%$$

Thus, answer is none of these.

SBI Clerk Free Mock Test (Latest Pattern)

Reasoning

Instructions

Ravi ,Suresh ,And asif are in control of the following number -letter-symbol series respectively.

Ravi : 2 & S * 9 P T B £ 8 Q Δ 6

Suresh: 1 □ F @ V 4 \$ © M T D ⇔

Asif: G 3 H # K N • 5 R = 7 W Y

Question 151

Starting from the left end & following the given order in each series, if a group of three elements is formed by taking symbol from Suresh's series, number from Ravi's series & letter from Asif's series taking each symbol, number and letter only once, which of the following will be the elements of the 4th such group formed?

- A \$8T
- B ©6R
- C \$6N
- D *1V
- E None of these

Answer: C

Explanation:

If a group of three elements is formed by taking symbol from Suresh's series, number from Ravi's series & letter from Asif's series, then :

	Suresh Symbol	Ravi Number	Asif Letter
1st →	⊗	2	G
2nd →	□	9	H
3rd →	@	8	K
4th →	\$	6	N

Thus, elements of 4th group = \$6N

=> Ans - (C)

SBI Clerk Previous Papers (Download PDF)

Question 152

If from each series, amongst letters/numbers/symbols the one having highest members is sorted out and then arranged in the descending order on the basis of the number of elements they have, which of the following will indicate the correct descending order?

- A Asif-letters, Suresh-symbols, Ravi-symbols
- B Asif-letters, Suresh-symbols, Ravi-letters
- C Ravi-numbers, Suresh-letters, Asif-symbols
- D Ravi-letters, Suresh-symbols, Asif-letters
- E None of these

Answer: B

Explanation:

Elements in Ravi's series are :

Numbers = 4 , Symbols = 4 , Letters = 5

Elements in Suresh's series are :

Numbers = 2 , Symbols = 6 , Letters = 5

Elements in Asif's series are :

Numbers = 3 , Symbols = 3 , Letters = 7

∴ The correct descending order is : Asif-letters, Suresh-symbols, Ravi-letters

=> Ans - (B)

Question 153

If each symbol which immediately preceded a number in Ravi's series, each number which immediately follows a letter in Suresh's series, and each letter which immediately precedes a symbol in Asif's series are selected, what will be total number of these elements?

- A 7
- B 8
- C 6
- D 5
- E None of these

Answer: A

Explanation:

In Ravi's series, we need to find = (symbol) (number)

Ravi : 2 & S * 9 P T B £ 8 Q Δ 6

In Suresh's = (letter) (number)

Suresh: 1 □ F @ V 4 \$ © M T D ⇔

In Asif's = (letter) (symbol)

Asif: G 3 H # K N • 5 R = 7 W Y

Thus, there are 7 such elements.

=> Ans - (A)

Question 154

If all the numbers from Asif's series, all the letters from Suresh's series and all the symbols from Ravi's series are respectively arranged in the same given order one after the other from the left end, which of the following will be the seventh to the right of the eleventh element from your right?

- A D
- B M
- C ©
- D Δ
- E None of these

Answer: E

Explanation:

If all the numbers from Asif's series, all the letters from Suresh's series and all the symbols from Ravi's series are respectively arranged in the same given order one after the other from the left end, then :

Arrangement : 3 5 7 F V M T D & * £ Δ

11th element from right end = 5

7th to the right of 5 = &

=> Ans - (E)

Banking Daily Free Topic Test

Question 155

Which of the following is true?

- A The total number of symbols immediately preceded by numbers in Ravi's series are equal to the total number of letters immediately preceded by numbers in Suresh's series
- B The total number of symbols immediately followed by numbers in Asif's series are less than the total number of letters immediately preceded by numbers in Ravi's series.
- C The total number of letters immediately following symbol in Ravi's series are more than the total number of symbols immediately preceded by six numbers in Suresh's series.
- D The total number of symbols immediately preceding letter in Ravi's series are less than the total number of symbols immediately followed by numbers in Asif's series.
- E The total number of symbols in Ravi's series is more than the total number of symbols in Suresh's series.

Answer: D

Explanation:

(A) : (number) (symbol) in Ravi's series = 1

(number) (letter) in Suresh's series = 0

(B) : (symbol) (number) in Asif's series = 2

(number) (letter) in Ravi's series = 2

(C) : (symbol) (letter) in Ravi's series = 1

(number) (symbol) in Suresh's series = 2

(D) : (symbol) (letter) in Ravi's series = 1

(symbol) (number) in Asif's series = 2

=> Ans - (D)

Instructions

Study the following information and answer the questions given below:

In a certain code, the symbol for 0 (zero) is @ and for 1 is \$. There are no other symbols for all other numbers greater than one. The numbers greater than 1 are to be written only by using the two symbols given above. The value of the symbol for 1, doubles itself every time it shifts one place to the left. Study the following example

'0' is written as @

'1' is written as \$

'2' is written as \$@

'3' is written as \$\$

'4' is written as \$@@ and so on

Question 156

Which of the following will represent 11 ?

- A \$@\$
- B @\$
- C \$\$
- D \$@@
- E None of these

Answer: A

Explanation:

The pattern followed is that the numbers are given in binary form. Eg :- 2 is written as '10' and 3 as '11' and so on.

Thus, binary code for 11 = '1011' represented as = \$@@\$

=> Ans - (A)

Question 157

Which of the following will represent 8 ?

- A \$\$
- B @\$
- C \$@@
- D @@@
- E None of these

Answer: E

Explanation:

The pattern followed is that the numbers are given in binary form. Eg :- 2 is written as '10' and 3 as '11' and so on.

Thus, binary code for 8 = '1000' represented as = \$@@@

=> Ans - (E)

Question 158

Which of the following numbers will be represented by \$\$@ ?

- A 8
- B 11
- C 13

- D 12
E None of these

Answer: C

Explanation:

The pattern followed is that the numbers are given in binary form. Eg :- 2 is written as '10' and 3 as '11' and so on.

\$\$@\$ represents = 1101 which is binary code for :

$$= 2^0 + 2^2 + 2^3 = (1 + 4 + 8) = 13$$

=> Ans - (C)

Question 159

Which of the following will represent the value of the product $3 \times 3 + 1$?

- A \$\$@\$
B \$@\$@
C \$@@\$\$
D \$\$\$
E None of these

Answer: B

Explanation:

The pattern followed is that the numbers are given in binary form. Eg :- 2 is written as '10' and 3 as '11' and so on.

Value of = $3 \times 3 + 1 = 9 + 1 = 10$

Thus, binary code for 10 = '1010' represented as = \$@\$@

=> Ans - (B)

Question 160

Which of the following numbers will be represented by \$@@@\$?

- A 22
B 31
C 14
D 17
E None of these

Answer: D

Explanation:

The pattern followed is that the numbers are given in binary form. Eg :- 2 is written as '10' and 3 as '11' and so on.

\$@@@\$ represents = 10001 which is binary code for :

$$= 2^0 + 2^4 = (1 + 16) = 17$$

=> Ans - (D)

Download Highly Rated Banking APP

Instructions

Each of the questions below consists of a question and two or three statements given below it. You have to decide whether the data provided in the statements are sufficient to answer the question.

Question 161

Who is the uncle of L ?

1. P, brother of M, is father of L. M is father of S.
2. R is father of L's cousin.

- A 1 alone is sufficient
- B 2 alone is sufficient
- C Either 1 alone or 2 alone is sufficient
- D Both 1 and 2 together are not sufficient
- E Both 1 and 2 together are necessary

Answer: C

Explanation:

1 : P, brother of M, is father of L. M is father of S.

=> M is the uncle of L.

2 : R is father of L's cousin.

=> R is uncle of L.

Thus, either 1 alone or 2 alone is sufficient.

=> Ans - (C)

Question 162

Who is to the North-East of R?

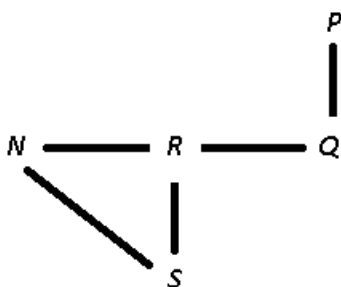
1. S is to the South-East of N, who is to the South-West of P, who is to the North of Q.
2. T is to the North-West of Q, who is to the South of P.
3. R, who is to the North of S, is midway between N and Q, N being to the West of R

- A All 1, 2, 3 together are required
- B Only 1 and 3 together are sufficient
- C Only 2 and 3 together are sufficient
- D Either 1 and 3 together or 2 and 3 together are sufficient
- E None of these

Answer: D

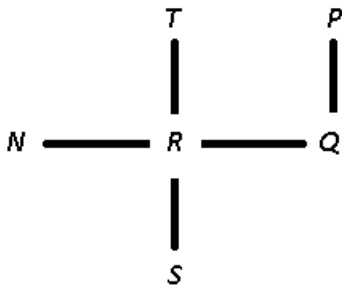
Explanation:

Going by the options, combining 1 and 3 together, we get :



Thus, P is to the North-East of R.

Combining 2 and 3 together, we get :



Thus, P is to the North-East of R.

∴ Either 1 and 3 together or 2 and 3 together are sufficient.

⇒ Ans - (D)

Question 163

How much did Sohil get as profit at the year end in the business done by Animesh, Sohil and Akhilesh ?

1. Akhilesh invested Rs. 8000/- for nine months, his profit was $(3/2)$ times that of Sohil's and his investment was 4 times that of Animesh.
2. Animesh and Sohil invested for one year and in the proportion 1 : 2 respectively.
3. The three together got Rs. 1000/- as profit at the year end.

- A Only 1 and 2 together are sufficient
- B Only 1 and 3 together are sufficient
- C 1, 2 and 3 together are not sufficient
- D 1, 2 and 3 together are necessary
- E None of these

Answer: D

Explanation:

Clearly, each statement alone is not sufficient, thus combining all the three statements, we get :

Amount invested by Akhilesh = Rs. 8000 for 9 months

⇒ Amount invested by Animesh = Rs. 2000 for 1 year

⇒ Amount invested by Sohil = Rs. 4000 for 1 year

Thus, ratio of profit of Akhilesh, Animesh and Sohil = $(8000 \times 9) : (2000 \times 12) : (4000 \times 12)$

= $72 : 24 : 48 = 3 : 1 : 2$

Total profit = Rs. 1000

Profit of Sohil = $\frac{2}{(3+1+2)} \times 1000 = \text{Rs. } 333.33$

Thus, 1, 2 and 3 together are necessary.

⇒ Ans - (D)

SBI PO Solved Previous Papers (Download PDF)

Question 164

What is the rank of Suresh in the class of 17 students ?

1. Nitin, having 13th rank from the bottom, is six ranks ahead of Bhupesh, who is two ranks behind Suresh.
2. Bhupesh is four ranks ahead of Kamlesh
3. Bhupesh is two ranks behind Suresh and Kamlesh's rank is 15.

- A Only 1 alone is sufficient
- B Either 1 alone or 2 and 3 together are sufficient
- C Only 2 and 3 together are sufficient
- D Only 1 and 3 together are sufficient
- E None of these

Answer: B

Explanation:

Total students in class = 17

1 : Nitin, having 13th rank from the bottom, is six ranks ahead of Bhupesh, who is two ranks behind Suresh.

=> Nitin's rank from top = $(17+1)-13 = 5$ th

Thus, Bhupesh's rank from top = 11th

=> Suresh' rank = $11-2 = 9$ th

Clearly, 2 alone or 3 alone are insufficient as there is not enough data, thus by combining them, we get :

Kamlesh's rank = 15th

Thus, Bhupesh's rank from top = 11th

=> Suresh' rank = $11-2 = 9$ th

Thus, either 1 alone or 2 and 3 together are sufficient.

=> Ans - (B)

Question 165

Which code represents 'Them' in the given code language ?

1. In the code language, 'Se Me Ye' means 'Tell Them Young' and 'Me Yo Na Ye' means 'Wise Young Sharp Tell'.
2. In the code language, 'Na Ki Pa Lo' means 'Clever Sharp Come Tomorrow' and 'Ki Po Se Ye' means 'Bring Clever Young Them'.
3. In the code language, 'Pa Na Se Ki Te' means 'Clever Sharp Come Them No' and 'Ki Ni Pa Be Te Na' means 'Yellow Come Sharp Run Clever No'.

- A Only 1 alone is sufficient
- B Either 1 alone or 2 and 3 together are sufficient
- C Only 2 and 3 together are sufficient
- D Only 3 alone is sufficient
- E Either 1 alone or 3 alone is sufficient

Answer: E

Explanation:

1 : The common words in both inferences are 'tell' and 'young' coded as = 'me' or 'ye'

=> Only word left in first inference is 'them' coded as = 'se'

Thus, 1 alone is sufficient.

2 : The only word common in both inferences is 'clever' coded as = 'ki'

Thus, we cannot find code for 'them', hence 2 alone is insufficient.

3 : The common words in both inferences are 'clever', 'sharp', 'come' and 'no' coded as = 'pa' or 'na' or 'ki' or 'te'

=> Only word left in first inference is 'them' coded as 'se'

Thus, 3 alone is sufficient.

∴ Either 1 alone or 3 alone is sufficient.

=> Ans - (E)

Instructions

In each question given below a statement is followed by three Courses of action numbered I, II and III. A course of action is a step or administrative decision to be taken for improvement follow up or further action in regard to the problem, policy etc. on the basis of the information given in the statement. You have to assume every thing in the statement to be true, then decide which of the three given/ suggested Courses of action logically follows for pursuing and decide the answer.

Question 166

Statement :

The chairman of the car company announced in the meeting that all trials of its first product the new car model 'M' are over and company plans to launch its car in the market after six months.

Courses of action :

(I) The network of dealers is to be finalised and all legal, financial and other matters in this connection will have to be finalised shortly.

(II) The company will have to make plan for product other than car.

(III) Material, managerial and other resources will have to be in fine tune to maintain production schedule

A I and III only

B Only I

C All of three

D Only II

E None of these

Answer: A

Explanation:

Once the trails are over, the best availability of material managerial and other resources is necessary to maintain production schedule. Hence III follows.

As mentioned in the statement, 'model M is its first product', so it is necessary to finalise the network of dealers and all matters regarding the sale of the product. Hence I follows. II has no connection with the statement.

Thus, only I and III follow.

=> Ans - (A)

Get Free Study Material & Updates - Whatsapp "Updates" to 7661025557

Question 167

Statement : The Company 'X' has rejected first lot of valves supplied by Company 'A' and has cancelled its entire huge order quoting use of inferior quality material and poor craftsmanship.

Courses of action :

(I) The Company 'A' needs to investigate functioning of its purchase, production and quality control departments.

(II) The Company 'A' should inspect all the valves rejected by Company 'X'.

(III) The Company 'A' should inform Company 'X' that steps have been taken for improvement and renegotiate schedule of supply.

A Only I and II

B Only II

C All I, II and III

D II and either I or III

E None of these

Answer: A

Question 168

Statement : Residents from Model Colony coming under Northward of City 'X' have complained to the Ward Officer that for last three days the tap water in the ward is contaminated and no action is being initiated by municipal staff.

Courses of action :

(I) The Ward Officer of North Ward should initiate action against residents who have lodged complaints against municipal staff.

(II) The Ward Officer should ask his junior officer to visit Model Colony to assess the actual condition of water with his staff and to get samples of water tested from laboratories.

(III) The Ward Officer should ask Ward Engineer to check water installations and pipelines in the Model Colony area.

A Only I and II

B Only II and III

C Only either I or III and II

D Only I and III

E None of these

Answer: B

Question 169

Statement : The Deputy Mayor of city 'Z' has proposed to install a plant of mineral water and to supply citizens mineral water bottles at Rs. 6 per litre as against Rs. 10 per litre being sold by local private companies

Courses of action :

(I) The local private companies of city 'Z' will have to close their operation.

(II) The Corporation of city Z will have to provide for losses in this project in its budget.

(III) The tap water scheme of city Z will have to be stopped.

A None of these

B Only I and III

C Only I and II

D Only II and III

E All the three

Answer: A

SBI PO Free Mocks (Latest Pattern)

Question 170

Statement : The Management of School 'M' has decided to give free breakfast from next academic year to all the students in its primary section through its canteen even though they will not get any government grant.

Courses of action :

(I) The school will have to admit many poor students who will seek admission for the next academic year. (II) The canteen facilities and utensils will have to be checked and new purchases to be made to equip it properly.

(III) Funds will have to be raised to support the scheme for years to come.

A Only either I or II

- B Only II and III
- C Only I
- D None of these
- E All the three

Answer: B

Instructions

Given below are pairs of events 'A' and 'B'. You have to read both the events 'A' and 'B' and decide their nature of relationship. You have to assume that the information given in 'A' and 'B' is true and you will not assume anything beyond the given information in deciding the answer.

Mark answer (A) : If 'A' is the effect and 'B' is its immediate and principal cause.

Mark answer (B) : If 'A' is the immediate and principal cause and 'B' is its effect.

Mark answer (C) : If 'A' is an effect but 'B' is not its immediate and principal cause.

Mark answer (D) : If 'B' is an effect but 'A' is not its immediate and principal cause.

Mark answer (E) : None of these

Question 171

Event : (A) Prices of gold have gone up in the local market.

Event : (B) India has won several prizes in design of gold ornaments.

- A If 'A' is the effect and 'B' is its immediate and principal cause.
- B If 'A' is the immediate and principal cause and 'B' is its effect.
- C If 'A' is an effect but 'B' is not its immediate and principal cause.
- D If 'B' is an effect but 'A' is not its immediate and principal cause.
- E None of these

Answer: E

Explanation:

Here, event A and event B are separate effects which states that gold prices are increased and India won gold prizes respectively.

=> Ans - (E)

Question 172

Event : (A) Today, the Prime Ministers of country 'P' and 'Q' have decided to take steps to improve the bilateral relations.

Event : (B) Next week a Committee of Foreign Ministers and Senior Officers of country 'P' and 'Q' will work out further steps to improve the relationship.

- A If 'A' is the effect and 'B' is its immediate and principal cause.
- B If 'A' is the immediate and principal cause and 'B' is its effect.
- C If 'A' is an effect but 'B' is not its immediate and principal cause.
- D If 'B' is an effect but 'A' is not its immediate and principal cause.
- E None of these

Answer: B

Question 173

Event : (A) Recently the prices of the personal computer (PCs) have come down.

Event : (B) Some school children are showing keen interest in learning computers.

- A If 'A' is the effect and 'B' is its immediate and principal cause.
- B If 'A' is the immediate and principal cause and 'B' is its effect.
- C If 'A' is an effect but 'B' is not its immediate and principal cause.
- D If 'B' is an effect but 'A' is not its immediate and principal cause.
- E None of these

Answer: C

Question 174

Event : (A) This year Bank 'M' has celebrated its silver jubilee.

Event : (B) More customers are getting attracted to the market branch of Bank M.

- A If 'A' is the effect and 'B' is its immediate and principal cause.
- B If 'A' is the immediate and principal cause and 'B' is its effect.
- C If 'A' is an effect but 'B' is not its immediate and principal cause.
- D If 'B' is an effect but 'A' is not its immediate and principal cause.
- E None of these

Answer: E

Question 175

Event : (A) Recently the traffic jams on M G Road of city 'Z' are not reduced but the traffic has also become manageable.

Event : (B) The flyover on MG Road of city 'Z' has recently been made operational and the number of traffic police personnel has been increased.

- A If 'A' is the effect and 'B' is its immediate and principal cause.
- B If 'A' is the immediate and principal cause and 'B' is its effect.
- C If 'A' is an effect but 'B' is not its immediate and principal cause.
- D If 'B' is an effect but 'A' is not its immediate and principal cause.
- E None of these

Answer: A

SBI Clerk Previous Papers (Download PDF)

Instructions

Read the following information and answer the questions given below.

- (I) Two wooden cubes 'A' and 'B' are placed adjacent to each other in front of you in such a way that 'A' is to your left and 'B' to your right.
- (II) One pair of opposite faces of cube 'A' is painted by the same colour, i.e., Red colour. Another pair of opposite faces is painted by Blue and one of the remaining faces of Yellow and other one is Violet.
- (III) Only two opposite faces of cube 'B' are painted by Blue colour. Remaining pairs of opposite faces are painted in such a way that

opposite face of Brown colour is Green and one of the other two opposite faces is Black and the other is White.

Question 176

If Red surface of 'A' and Blue of 'B' are touching the table and Yellow of 'A' and Black of 'B' are facing you, then which coloured side of 'B' is facing Blue side of 'A' ?

- A Brown
- B Green
- C White
- D Either Brown or Green
- E None

Answer: D

Question 177

If Black surface of 'B' is kept on the top of Red surface of 'A', which coloured side of 'B' will face the sky ?

- A White
- B Blue
- C Brown
- D Data inadequate
- E None

Answer: A

Question 178

If the cubes are rearranged one above the other in such a way that White face of 'B' is facing sky and Yellow face of 'A' is kept above it, then which coloured surface of 'A' will be facing you?

- A Violet
- B Blue
- C Either Blue or Red
- D Either Blue or Violet
- E Data inadequate

Answer: C

Banking Daily Free Topic Test

Question 179

If 'B' is kept to your left with Green coloured surface facing you and 'A' kept at your right with Blue surface facing you then which of the following pairs of colours of 'A' and 'B' will be facing each other ?

- A Yellow-Black
- B Yellow White

- C Black-Violet
- D Violet White
- E Data inadequate

Answer: E

Question 180

If block 'B' is kept behind block 'A' in such a way that Brown coloured surface of 'B' is facing Yellow coloured face of 'A', which colour of block 'B' will be to your right ?

- A Blue
- B Black
- C Brown
- D Data inadequate
- E None of these

Answer: D

Instructions

For the following questions answer them individually

Question 181

Cases of food poisoning have been reported from village 'X'. After a dinner party arranged for 100 people, 68 have been admitted to the hospital, 36 cases are reported to be out of danger. The food, which was cooked and stored in open space for almost 12 hours earlier was served after reheating it. Investigation is going on.

A news report. Which of the following can be hypothesized from the above information ?

- A Late night dinner parties for large number of people result into food poisoning
- B State food is likely to be the cause of food poisoning
- C Cases of food poisoning need to be handled carefully
- D Cases of food poisoning are not reported in urban dinner parties
- E Food poisoning is a matter of chance and no preventive measure can be suggested.

Answer: B

Explanation:

As mentioned, 'food was cooked and stored in the open space for almost 12 hours earlier'. Now, this may be the cause of food-poisoning as given in the second option.

=> Ans - (B)

Question 182

A study reveals that families where parents cannot give sufficient time for their children report disturbed behaviour of children and poor performance of the child at school.

Which of the following is true, would weaken the statement?

- A Studies regarding behaviour of children of single parents have reported similar findings.
- B A good and healthy child-parent relationship helps the child in adjustment at home and school

- C A high correlation has been found between good adjustment of the child with his peers/friends and high good performance in the school
- D Schools have now started counselling parents to spend happy and meaningful time with their children
- E Well adjusted children show lot of love and respect for their parents

Answer: C

Explanation:

The given statement indicates that parents who do not give proper attention to their children have affected the child's performance.

The first, second and last options supports the above statement, the fourth statement is the consequence of above statement, but the third statement weakens the above argument as it states that a child can improve with good adjustment with his/her friends.

=> Ans - (C)

Question 183

If you want hassle-free holiday package for city 'M' then join, only our tour, hurry up, only few seats available. An advertisement of 'XYZ' Tourist Company. If the above statement is true then which of the following has been assumed while making the statement ?

- A Travel packages offered by other tour operators are neither cheap nor comfortable
- B Nowadays people have lot of money to spend for their comforts
- C No seats may be available with other tour operators for city 'M'
- D Many people desire convenience and comfort while going for a holiday
- E The XYZ Company strictly follows the concept of 'first come first serve'.

Answer: D

Explanation:

The reason why the tourist company has mentioned the term 'hassle-free holiday package' in the advertisement can be because of many people desire convenience and comfort while going for a holiday and assuming that people will prefer to tour by their company.

=> Ans - (D)

Question 184

The state government's agency 'HOUSEWELL' has constructed 500 flats for middle class but in spite of shortage of house it has not even received hundred applications. Each of the following if true, could explain this except :

- A The quality of construction of 'HOUSEWELL' is reported to be very poor
- B The location of the flats is not convenient either by bus or from railway station
- C A private builders scheme which has come up on the adjacent plot is overbooked in spite of higher cost and 100% advance payment
- D The cost and conditions of payment are quite demanding and are slightly higher than usual government housing schemes
- E School and market facilities are yet to come up

Answer: C

Explanation:

Except the third statement, i.e. a private builders scheme which has come up on the adjacent plot is overbooked in spite of higher cost and 100% advance payment, all may be reasons for not going for the flats by the people. The third option has no connection with the statement.

=> Ans - (C)

Download Highly Rated Banking APP

Question 185

In order of quality in an examination having six subjects one has to get at least 50% and above marks separately in any four subjects and minimum 35% and above in each of the six subjects. If the total of 25% candidates have qualified in the examination, then which of the following is definitely true?

- A 25% of the students have secured 50% and above in all the six subjects
- B 75% of the students could not get at least 35% marks in all the six subjects taken together
- C 50% of the students got 50% and above in four subjects but only half of them could get 35% and above in all the subjects
- D Only 25% of the students could get at least 35% and above marks in each of the subjects
- E None of these

Answer: D

Explanation:

The criteria to qualify the examination is that a student has to get :

- (a) : $\geq 50\%$ marks separately in any **four** subjects.
- (b) : $\geq 35\%$ marks in each of the **six** subjects.

Since, only 25% students have qualified in the examination, then these students definitely got at least 35% and above marks in each of the subjects as given in the fourth option.

=> Ans - (D)

Instructions

Our Glory of Cricket' club intends to give its membership to a selected few players based on the following criteria The player must be above 16 years and not more than 24 years of age as on 1.2.99. He must pay Rs. 15,000 as entrance fee and Rs. 1,000 as monthly fee throughout his membership period. In case, he pay Rs. 25,000 as additional entrance fee the monthly payment condition is waived. In addition to this he should satisfy at least one of the following conditions :

- (I) He has won any one inter-college cricket tournament by leading his college team and has scored at least one century in college level tournaments.
- (II) He has scored at least one century and two fifties in interuniversity of inter state tournaments.
- (III) He has led his cricket team at college level at least thrice and has taken 10 or more wickets either by bowling or while wicket-keeping or has made aggregate 1000 runs in college level matches.
- (IV) He has represented his state in national level matches at least thrice with a remarkable bowling or batting or wicket keeping record.
- (V) He has six centuries at his credit in college level matches and is a spin or medium fast bowler having taken at least one wicket per match in college level matches.

Based on the above conditions and the data given in each of the following cases you have to take decision. You are not supposed to assume anything. All the facts are given as on 1.2.99.

Question 186

Ameya started his cricket career exactly 5 years ago by celebrating his 18th birthday by scoring a century. He is ready to pay Rs. 40,000/- at entry level. He scored three fifties representing his state as captain. He is an excellent leg spinner.

- A Membership be given-satisfies (II) only
- B Data inadequate
- C Membership be given - satisfies (II) and (IV)
- D Membership not to be given
- E None of these

Answer: D

Explanation:

(I) Won any one inter-college cricket tournament by leading his college team and has scored at least one century = **no**

(II) Scored at least one century and two fifties in inter university of inter state tournaments = **no**, 3 fifties

(III) Led his cricket team at college level at least thrice and has taken 10 or more wickets either by bowling or while wicket-keeping or has made aggregate 1000 runs in college level matches = **no**

(IV) Represented his state in national level matches at least thrice with a remarkable bowling or batting or wicket keeping record = **no**

(V) Six centuries at his credit in college level matches and is a spin or medium fast bowler having taken at least one wicket per match in college level matches = **no**

∴ Ameya is under 24 years of age and is ready to pay membership, but does not satisfy any condition, thus membership is not to be given.

=> Ans - (D)

Question 187

Satyen is a good wicket-keeper having 11 stump-outs and 16 behind the wicket catches in his 6 years tenure as state level player. He has also led his team in inter university tournaments and has scored two centuries and one fifty. He is willing to pay entrance fee as well as monthly charges. He started representing his state in March 91 at the age of 16 years.

A Membership be given - Satisfies only (I)

B Membership be given-Satisfies only (IV)

C Membership be given - Satisfies (II) and (IV)

D Data inadequate

E Membership not to be given

Answer: B

Explanation:

(I) Won any one inter-college cricket tournament by leading his college team and has scored at least one century = **no**

(II) Scored at least one century and two fifties in inter university of inter state tournaments = **no**, 2 centuries and 1 fifty

(III) Led his cricket team at college level at least thrice and has taken 10 or more wickets either by bowling or while wicket-keeping or has made aggregate 1000 runs in college level matches = **no**

(IV) Represented his state in national level matches at least thrice with a remarkable bowling or batting or wicket keeping record = **yes**

(V) Six centuries at his credit in college level matches and is a spin or medium fast bowler having taken at least one wicket per match in college level matches = **no**

∴ Satyen is under 24 years of age and is ready to pay membership, and satisfies (IV), thus membership is to be given.

=> Ans - (B)

SBI PO Solved Previous Papers (Download PDF)

Question 188

Atul has represented his college as captain for 3 years and represented his university for two years. He has taken 15 wickets in seven matches as spin bowler. He has two centuries at his credit while playing for his college. His team has won twice and thrice under his leadership in college level and university level matches respectively. His date of birth is 2.1.1976. He is ready to pay Rs. 40,000 as entrance fee.

A Membership be given - Satisfies only (I)

B Membership be given - Satisfies only (III)

C Membership be given - Satisfies both (I) and (III)

D Membership not to be given

E None of these

Answer: A

Explanation:

(I) Won any one inter-college cricket tournament by leading his college team and has scored at least one century = **yes**, 2 centuries

(II) Scored at least one century and two fifties in inter university or inter state tournaments = **no**

(III) Led his cricket team at college level at least thrice and has taken 10 or more wickets either by bowling or while wicket-keeping or has made aggregate 1000 runs in college level matches = **no**

(IV) Represented his state in national level matches at least thrice with a remarkable bowling or batting or wicket keeping record = **no**

(V) Six centuries at his credit in college level matches and is a spin or medium fast bowler having taken at least one wicket per match in college level matches = **no**

∴ Atul is under 24 years of age and is ready to pay membership, and satisfies (I), thus membership is to be given.

=> Ans - (A)

Question 189

Anil has been playing for his college, university and state during his 7 years cricket tenure. He started playing for his college in January 92 when he was 17 years old. He has 7 centuries and 5 fifties at his credit aggregating 1600 runs. He led his university and state for two years and 3 years respectively. He has taken 11 wickets as medium fast bowler while playing for his state in national level matches. He is willing to pay requisite entrance fee and monthly fee

A Membership be given - Satisfies only (II) and (IV)

B Membership be given - Satisfies only (IV) and (V)

C Membership be given - Satisfies only (II), (IV) and (V)

D Membership not to be given

E None of these

Answer: D

Explanation:

Anil is 17 years of age in January 92, thus he will be above 24 years as on 1st Feb 1999, thus membership is not given.

=> Ans - (D)

Question 190

Divyen is an exceptionally brilliant wicket-keeper. He has to his credit 22 stumpings and 20 catches while representing his state in national level matches for consecutive 4 years. His first century was while he was leading his college team to win in February 1991 at the age of 16 years. He will be able to pay Rs. 15,000 and monthly dues. Before playing for the state he played many matches for his college.

A Membership is not to be given

B Membership be given - satisfies only (IV)

C Membership be given - satisfies (II) and (IV)

D Membership be given - satisfies (I) and (IV)

E None of these

Answer: D

Explanation:

(I) Won any one inter-college cricket tournament by leading his college team and has scored at least one century = **yes**

(II) Scored at least one century and two fifties in inter university of inter state tournaments = **no**

(III) Led his cricket team at college level at least thrice and has taken 10 or more wickets either by bowling or while wicket-keeping or has made aggregate 1000 runs in college level matches = **no**

(IV) Represented his state in national level matches at least thrice with a remarkable bowling or batting or wicket keeping record = **yes**, for 4 years with wicket-keeping record

(V) Six centuries at his credit in college level matches and is a spin or medium fast bowler having taken at least one wicket per match in college level matches = **no**

∴ Divyen is under 24 years of age and is ready to pay membership, and satisfies (I) and (IV), thus membership is to be given.

=> Ans - (D)

Get Free Study Material & Updates - Whatsapp "Updates" to 7661025557

Question 191

Sarvesh has a record of having taken two or more wickets at every match played by him for his college. He is a medium fast bowler. He is a good medium fast bowler. He is a good batsman also and has scored three centuries and four fifties while playing interuniversity matches. His college has always won the match under his captaincy during the last 4 years. He has amassed 1200 runs in these matches. He is ready to pay Rs. 40,000/- at entry level. His date of birth is 30.01.76.

A Membership be given - satisfies (I) only

B Membership be given - satisfies (I) and (II) only

C Membership be given - satisfies (I) and (V)

D Membership be given - satisfies (I), (II) and (III)

E None of these

Answer: D

Explanation:

(I) Won any one inter-college cricket tournament by leading his college team and has scored at least one century = **yes**

(II) Scored at least one century and two fifties in inter university of inter state tournaments = **yes**, 3 centuries and 4 fifties

(III) Led his cricket team at college level at least thrice and has taken 10 or more wickets either by bowling or while wicket-keeping or has made aggregate 1000 runs in college level matches = **yes**, 1200 runs

(IV) Represented his state in national level matches at least thrice with a remarkable bowling or batting or wicket keeping record = **no**

(V) Six centuries at his credit in college level matches and is a spin or medium fast bowler having taken at least one wicket per match in college level matches = **no**

∴ Sarvesh is under 24 years of age and is ready to pay membership, and satisfies (I), (II) and (III), thus membership is to be given.

=> Ans - (D)

Instructions

Read the following information and answer the given questions.

(I) Six friends Ramesh, Dinesh, Lokesh, Nilesh, Shailesh and Hitesh work in different companies namely 'P', 'Q', 'R', 'S', 'T', and 'U', and each one wears company sponsored different coloured tie, i.e., Blue, Green, Pink, Yellow, Purple and Red though not necessarily in the same order.

(II) The one wearing Blue tie works in company 'S' and the one wearing Green tie works in company 'P'.

(III) Hitesh does not work in company 'R' or 'T'.

(IV) Ramesh wears Pink tie and works in company 'Q'.

(V) Nilesh does not work in company 'T' and Purple colour tie is not sponsored by company 'R'.

(VI) Shailesh works in company 'U' and neither Nilesh nor Dinesh works in company 'S'.

(VII) Company 'T' does not sponsor Purple or Yellow coloured tie and Lokesh works in company P.

Question 192

Which colour is sponsored by Company 'R' ?

- A It can not be ascertained
- B Blue
- C Green
- D Pink
- E None of these

Answer: E

Explanation:

Ramesh wears Pink tie and works in company 'Q' and Shailesh works in company 'U'. Also, Lokesh works in company P.

The one wearing Green tie works in company 'P', => Lokesh wears green tie.

Hitesh does not work in company 'R' or 'T' and Nilesh does not work in company 'T', => Dinesh works in company T and Nilesh in company R.

The one wearing Blue tie works in company 'S', => this only leaves Hitesh who is working in company S, and is wearing blue tie.

Purple colour tie is not sponsored by company 'R' and 'T', => it is sponsored by company U.

Company 'T' does not sponsor Yellow coloured tie, => it is sponsored by company R and this leaves company T with red coloured tie.

Person	Company	Tie
Ramesh	Q	Pink
Dinesh	T	Red
Lokesh	P	Green
Nilesh	R	Yellow
Shailesh	U	Purple
Hitesh	S	Blue

Company R sponsored **yellow** colour.

=> Ans - (E)

Question 193

Which of the following "colour of tie-company-person" combinations is correct ?

- A Green-R-Nilesh
- B Blue-S-Lokesh
- C Red-T-Dinesh
- D Yellow-R-Shailesh
- E None of these

Answer: C

Explanation:

Ramesh wears Pink tie and works in company 'Q' and Shailesh works in company 'U'. Also, Lokesh works in company P.

The one wearing Green tie works in company 'P', => Lokesh wears green tie.

Hitesh does not work in company 'R' or 'T' and Nilesh does not work in company 'T', => Dinesh works in company T and Nilesh in company R.

The one wearing Blue tie works in company 'S', => this only leaves Hitesh who is working in company S, and is wearing blue tie.

Purple colour tie is not sponsored by company 'R' and 'T', => it is sponsored by company U.

Company 'T' does not sponsor Yellow coloured tie, => it is sponsored by company R and this leaves company T with red coloured tie.

Person	Company	Tie
Ramesh	Q	Pink
Dinesh	T	Red
Lokesh	P	Green
Nilesh	R	Yellow
Shailesh	U	Purple
Hitesh	S	Blue

The only true combination is : **Red-T-Dinesh**

=> Ans - (C)

SBI PO Free Mocks (Latest Pattern)

Question 194

Which of the following is true ?

- A Company 'U' sponsors Green tie
- B Shailesh wears Red tie
- C Nilesh works in Company 'T'
- D Red colour is sponsored by company 'T'
- E None of these

Answer: D

Explanation:

Ramesh wears Pink tie and works in company 'Q' and Shailesh works in company 'U'. Also, Lokesh works in company P.

The one wearing Green tie works in company 'P', => Lokesh wears green tie.

Hitesh does not work in company 'R' or 'T' and Nilesh does not work in company 'T', => Dinesh works in company T and Nilesh in company R.

The one wearing Blue tie works in company 'S', => this only leaves Hitesh who is working in company S, and is wearing blue tie.

Purple colour tie is not sponsored by company 'R' and 'T', => it is sponsored by company U.

Company 'T' does not sponsor Yellow coloured tie, => it is sponsored by company R and this leaves company T with red coloured tie.

Person	Company	Tie
Ramesh	Q	Pink
Dinesh	T	Red
Lokesh	P	Green
Nilesh	R	Yellow
Shailesh	U	Purple
Hitesh	S	Blue

The only true statement is that red colour is sponsored by company 'T'.

=> Ans - (D)

Question 195

Which of the following sequence of companies represents Ramesh, Dinesh, Lokesh, Nilesh, Shailesh and Hitesh in the same order ?

- A Q, P, T, R, U, S

- B Q, T, P, R, U, S
- C Q, P, T, S, U, R
- D Q, T, P, S, U, R
- E None of these

Answer: B

Explanation:

Ramesh wears Pink tie and works in company 'Q' and Shailesh works in company 'U'. Also, Lokesh works in company P.

The one wearing Green tie works in company 'P', => Lokesh wears green tie.

Hitesh does not work in company 'R' or 'T' and Nilesh does not work in company 'T', => Dinesh works in company T and Nilesh in company R.

The one wearing Blue tie works in company 'S', => this only leaves Hitesh who is working in company S, and is wearing blue tie.

Purple colour tie is not sponsored by company 'R' and 'T', => it is sponsored by company U.

Company 'T' does not sponsor Yellow coloured tie, => it is sponsored by company R and this leaves company T with red coloured tie.

Person	Company	Tie
Ramesh	Q	Pink
Dinesh	T	Red
Lokesh	P	Green
Nilesh	R	Yellow
Shailesh	U	Purple
Hitesh	S	Blue

Ramesh, Dinesh, Lokesh, Nilesh, Shailesh and Hitesh in the same order work in companies **Q, T, P, R, U, S**.

=> Ans - (B)

Instructions

Answer the following questions based on the alphabet given below :

A B C D E F G H I J K L M N O P Q R S T U V W X Y Z

Question 196

If the letters of the word PRODUCTIVE which are at the odd numbered position in the English alphabet are picked up and rearranged in alphabetical order from left and if they are now substituted by Z, Y, X and so on, beginning from left which letter will get substituted by W ?

- A No letter will get substituted by W
- B O
- C E
- D C
- E None of these

Answer: B

Explanation:

Word - PRODUCTIVE

Letters at odd numbered position in English alphabet = O,U,C,I,E

Arranging letters in alphabetical order = CEIOU

Substituting the letters, we get : ZYXWV

Thus, O will get substituted by W.

=> Ans - (B)

SBI Clerk Free Mock Test (Latest Pattern)

Question 197

What will come in the place of question (?) mark in the following series?
GPW, GPUW, GIPUW, GIPSUW, ?

- A GIHPSUW
- B GIPQSUW
- C GIKPSUW
- D GIJPSUV
- E None of these

Answer: C

Explanation:

Series : GPW, GPUW, GIPUW, GIPSUW, ?

We are adding one letter from the back series, and similarly, adding one letter from the front side.

Eg :- In 2nd term, U is added at the second last position and in the next term after that I is added at 2nd position from front. Thus, in the missing term, a new letter is added at 3rd position from front.

Thus, missing term = **GIKPSUW**

=> Ans - (C)

Question 198

If the alphabets are written in reverse order after interchanging alphabets from 'D to L' with those from 'R to Z' respectively, which letter would be midway between W and E in the new order ?

- A Z
- B N
- C L
- D There is no such letter
- E None of these

Answer: B

Explanation:

Alphabets : A B C D E F G H I J K L M N O P Q R S T U V W X Y Z

After interchanging alphabets from 'D to L' with those from 'R to Z' respectively, then :

= A B C R S T U V W X Y Z M N O P Q D E F G H I J K L

Letter which is midway between W and E = **N**

=> Ans - (B)

Instructions

Given below is one passage followed by several possible inferences which can be drawn from the facts stated in the passage. You have to examine each inference separately in the context of the passage and decide upon its degree of truth or falsity. Mark - If you think answer

- (a) the inference is 'Definitely True', i.e., it properly follows from the statement of facts given
- (b) the inference is 'Probably True' though not 'Definitely True' in the light of the facts given

(c) the 'Data are Inadequate', i.e., from the facts given you cannot say whether the inference is likely to be true or false
(d) the inference is 'Probably False' though not 'Definitely False' in the light of the facts given. The inference is 'Definitely False', i.e., it cannot possibly be drawn from the facts given or it contradicts the given facts. 'Holidays on Instalment Payment (HIP) plans are being introduced. According to an Indian Market Research Bureau (IMRB) study, at least 12,000 families in Mumbai alone will opt for such deferred payment plans for their holidays in the next three years
e: None Of these

Question 199

In Mumbai 'Holidays Instalment Payment (HIP)' seems to be fulfilling need of people.

- A The inference is 'Definitely True', i.e., it properly follows from the statement of facts given
- B The inference is 'Probably True' though not 'Definitely True' in the light of the facts given
- C The 'Data are Inadequate', i.e., from the facts given you cannot say whether the inference is likely to be true or false

D The inference is 'Probably False' though not 'Definitely False' in the light of the facts given. The inference is 'Definitely False', i.e., it cannot possibly be drawn from the facts given or it contradicts the given facts. 'Holidays on Instalment Payment (HIP) plans are being introduced. According to an Indian Market Research Bureau (IMRB) study, at least 12,000 families in Mumbai alone will opt for such deferred payment plans for their holidays in the next three years

- E None Of these

Answer: B

[SBI Clerk Previous Papers \(Download PDF\)](#)

Question 200

Compared to the total number of membership of HIP in India, the number of HIP from Mumbai appears to be a 'Tip of Iceberg'.

- A The inference is 'Definitely True', i.e., it properly follows from the statement of facts given
- B The inference is 'Probably True' though not 'Definitely True' in the light of the facts given
- C The 'Data are Inadequate', i.e., from the facts given you cannot say whether the inference is likely to be true or false

D The inference is 'Probably False' though not 'Definitely False' in the light of the facts given. The inference is 'Definitely False', i.e., it cannot possibly be drawn from the facts given or it contradicts the given facts. 'Holidays on Instalment Payment (HIP) plans are being introduced. According to an Indian Market Research Bureau (IMRB) study, at least 12,000 families in Mumbai alone will opt for such deferred payment plans for their holidays in the next three years

- E None Of these

Answer: C

[Banking Daily Free Topic Test](#)

[Download Highly Rated Banking APP](#)

[SBI PO Solved Previous Papers \(Download PDF\)](#)

[Get Free Study Material & Updates - Whatsapp "Updates" to 7661025557](#)

[**SBI PO Free Mocks \(Latest Pattern\)**](#)

[**SBI Clerk Free Mock Test \(Latest Pattern\)**](#)

[**SBI Clerk Previous Papers \(Download PDF\)**](#)

[**Banking Daily Free Topic Test**](#)