



SBI Clerk 20 July 2014

All rights reserved. No part of this publication may be reproduced, distributed, or transmitted in any form or by any means, electronic, mechanical, photocopying, recording or otherwise, or stored in any retrieval system of any nature without the permission of cracku.in, application for which shall be made to support@cracku.in

General Awareness

Instructions

For the following questions answer them individually

Question 1

Who among the following is currently the Union Minister of Chemical and Fertilizers?

- A Ananth Kumar
- B Ramvilas Paswan
- C Jitendra Singh
- D Manoj Sinha
- E V.K. Singh

Answer: A

SBI Clerk Free Mock Test (Latest Pattern)

Question 2

Name the person who, at present, is heading the SIT established for Black Money?

- A R.M. Lodha
- B P. Sathasivam
- C Altamas Kabir
- D M.B. Shah
- E S. Rajendra Babu

Answer: D

Question 3

Which Indian shooter won 3 medals in the ISSF World Cup held in Munich?

- A Abhinav Bindra
- B Gagan Narang
- C Jitu Rai
- D Sainalit Singh
- E Apoorva Lakhtokia

Answer: C

Question 4

Which of the following is the capital of Brazil?

- A Brasilia
- B Sao Paulo

- C Rio de Janeiro
- D Curitiba
- E Recife

Answer: A

SBI Clerk Previous Papers (Download PDF)

Question 5

Who, among the following players, scored hat trick in the 2014 FIFA World Cup?

- A Lionel Messi
- B Cristiano Ronaldo
- C Thomas Mueller
- D Miroslav Klose
- E James Rodriguez

Answer: C

Question 6

Which of the following regions in the Indian Ocean is affected by the El Nino?

- A Sri Lanka and New Zealand
- B India and Bangladesh
- C China and New Zealand
- D Indonesia and Pakistan
- E Myanmar and Bangladesh

Answer: B

Question 7

Which of the following Indian artists has won the Oscar Award more than once?

- A Aamir Khan
- B A.R. Rehman
- C Gulzar
- D Sukhwinder Singh
- E Both 2 and 3

Answer: B

Free Banking Study Material (15,000 Solved Questions)

Question 8

Which team is the winner of 2014 Senior National Women Football Championship?

- A Nagaland
- B Goa
- C Delhi
- D Manipur
- E Karnataka

Answer: D

Question 9

On which of the following dates is AIDS Day celebrated?

- A 28 March
- B 2 June
- C 16 September
- D 1 December
- E 5 January

Answer: D

Question 10

Which of the following correctly explains the role of Banking Ombudsman?

- A To provide services to customer
- B To take care of monetary policy
- C To take care of the banking sector as a whole
- D To look into and resolve customers' complains related to banking services
- E All of the above

Answer: D

Download Highly Rated Banking APP

Question 11

With which article of the Indian Constitution is Money Bill related?

- A Article 109
- B Article 110
- C Article 111
- D Article 112

E Article 113

Answer: B

Question 12

Which online fashion store was recently taken over by Indian online megastore Flipkart?

A 01x.in

B Yepme. in

C Myntra.com

D Jabong.com

E Amazon .in

Answer: C

Question 13

Is the rate at which the central bank of a country (Reserve Bank of India) lends money to commercial banks in the event of any shortfall of funds.

A Repo Rate

B Cash Reserve Ratio

C Bank Rate

D Statutory Liquidity Ratio

E Reverse Repo Rate

Answer: A

Question 14

How does a decrease in SLR affect the market?

A CRR goes up

B Liquidity decreases

C CRR goes down

D Liquidity increases

E Both 1 and 2

Answer: D

Question 15

Which of the following bodies regulates monetary policy in India?

A Planning Commission

B National; Development Council

- C Union Ministry of Finance
- D Reserve Bank of India
- E None of these

Answer: D

Question 16

UIDAI stands for

- A Unique Identification Authority of India
- B Union of Identification Authority of India
- C Unique Investigation Authority of India
- D Umbrella Identification Authority of India
- E Unity Investigation Authority of India

Answer: A

Free Banking Study Material (15000 Solved Questions)

Question 17

The currency of Italy is

- A Krona
- B Franc
- C Euro
- D Lira
- E Pound

Answer: C

Question 18

Which of the following countries has been affected by the rise of ISIS terrorist group?

- A Iran
- B Iraq
- C Libya
- D United Arab Emirates
- E Ukraine

Answer: B

Question 19

Where can a person exchange his/her money into foreign currency?

- A In the nationalized banks
- B Passport Office
- C Any stock exchange
- D Special counters at the Union Ministry of Commerce
- E An authorized dealer of the Reserve Bank of India

Answer: E

SBI PO Solved Previous Papers (Download PDF)

Question 20

In which city is Salarjung Museum located?

- A Hyderabad
- B Luck now
- C Bhopal
- D Mysore
- E None of these

Answer: A

Question 21

The navaratna status was recently conferred upon

- A National Building Construction Corporation
- B Engineers India Limited
- C Steel Authority of India Limited
- D Bharat Electronics Limited
- E Both 1 and 2

Answer: E

Question 22

Which of the following countries has the least Global Peace Index?

- A Iraq
- B Libya
- C Syria
- D Kenya
- E Congo

Answer: C

Question 23

What percentage of total global oil reserves is held by the OPEC countries?

- A 68 percent
- B 75 percent
- C 81 percent
- D 86 percent
- E 90 percent

Answer: C

Question 24

Where will Nivea's first ever manufacturing plant in India come up?

- A Sanand
- B Pune
- C Shimla
- D Dehradun
- E Kolkata

Answer: A

Question 25

By which name was Kanyakumari formerly known?

- A Cape Comorin
- B Tuticorin
- C Pulicat
- D Muziris
- E Karikal

Answer: A

SBI PO Free Mocks (Latest Pattern)

Question 26

How many languages are there in Indian currency?

- A 2
- B 6
- C 12

D 17

E 22

Answer: D

Question 27

What is the full form of IBSA?

A India, Brazil, South Africa

B India, Bhutan, Sri Lanka

C India, Brazil, Switzerland, Australia

D India, Britain, South Africa

E India, Burma, Singapore

Answer: A

Question 28

Who, at present, is the External Affairs Minister of India?

A Arun Jaitley

B Rajnath Singh

C Sushma Swaraj

D Narendra Modi

E Jaswant Singh

Answer: C

Download SBI Clerk Syllabus PDF

Question 29

Which airline was recently joined by the Tata Group?

A Pan Am

B Lufthansa

C Emirates Airline

D Mr Asia

E Air France

Answer: D

Question 30

Commercial Papers (CP) are issued in India in the multiples of

A Rs. 1 lakh

- B Rs. 2 lakh
- C Rs. 5 lakh
- D Rs. 7.5 lakh
- E Rs. 10 lakh

Answer: C

Question 31

Who among the following is the richest footballer in the 2014 FIFA World Cup?

- A Lionel Messi
- B Cristiano Ronaldo
- C Manuel Neuer
- D James Rodriguez
- E Thomas Mueller

Answer: B

GK Study Material for Banking Exams (Download PDF)

Question 32

Who was recently awarded by the York University of Canada?

- A Mukesh Ambani
- B Ratan Tata
- C Azim Premji
- D Nandan Nilekani
- E Lord Swaraj Paul

Answer: B

Question 33

Where is Baiji Oil Refinery located?

- A Iran
- B Venezuela
- C Iraq
- D Kuwait
- E Oman

Answer: C

Question 34

Which of the following is the capital of Myanmar?

- A Rangoon
- B Naypyidaw
- C Kuala Lumpur
- D Hanoi
- E Jakarta

Answer: B

SBI Clerk Free Mock Test (Latest Pattern)

Question 35

CGTMSE stands for

- A Central Government Fund Trust for Medium and Small Enterprises
- B Credit Guarantee Fund for Medium Size Enterprises
- C Central Government Transfer Fund for Multispecialty Micro Enterprises
- D Credit Guarantee Fund Trust for Micro and Small Enterprises
- E None of these

Answer: D

Question 36

In which of the following industry CASA ratio is used?

- A Merchandise Trade
- B Banking & Finance
- C Software Industry
- D Travel & Tourism
- E None of these

Answer: B

Question 37

Which among the following ratio correctly denotes the Insurance Penetration?

- A Premium Underwritten : Population
- B Premium Underwritten : GDP
- C Insured Population : Total Population
- D Premium Underwritten : Policy Holders

E None of these

Answer: B

SBI Clerk Previous Papers (Download PDF)

Question 38

Which of the following bodies insures customer's deposit in bank?

A Union Ministry of Finance

B SEBI

C Deposit Insurance and Credit Guarantee Corporation

D Forward Market Commission

E Both 1 and 4

Answer: C

Question 39

Which among the following correctly categorizes Collateralized Borrowing and Lending Obligation?

A A market operation

B A money market instrument

C A clearing system

D A Scheme of Reserve Bank of India

E A policy initiative of Government of India

Answer: B

Question 40

Which Government-run general insurer recently launched 'Asha Kiran,' a special health insurance scheme for families with girl children?

A Oriental Insurance Comp. Ltd.

B United India Insurance Comp. Ltd.

C New India Assurance Comp. Ltd.

D National Insurance Company

E None of these

Answer: C

Explanation:

ENGLISH LANGUAGE

Free Banking Study Material (15,000 Solved Questions)

Quant

Instructions

For the following questions answer them individually

Question 41

A boat goes downstream at the rate of 9 kmph and upstream at the rate of 6 kmph. Find the speed of current.

- A 1.5 kmph
- B 2 kmph
- C 7.5 kmph
- D 4.5 kmph
- E None of these

Answer: A

Explanation:

Speed of current = $\frac{1}{2}$ (downstream - upstream)

$$= \frac{1}{2}(9 - 6)$$

$$= \frac{3}{2} = 1.5 \text{ kmph}$$

Download Highly Rated Banking APP

Question 42

A person sells half of his goods at 20% profit and remaining half at 30% profit. What is his overall gain per cent in the whole transaction ?

- A 30%
- B 25%
- C 50%
- D 35%
- E None of these

Answer: B

Explanation:

Let the person has 2 goods and cost price of each good = Rs. 100

=> Total C.P. = Rs. 200

$$\text{S.P. of 1st good} = \frac{120}{100} \times 100 = \text{Rs. 120}$$

$$\text{S.P. of 2nd good} = \frac{130}{100} \times 100 = \text{Rs. 130}$$

=> Total S.P. = 120 + 130 = Rs. 250

$$\therefore \text{Overall profit \%} = \frac{250-200}{200} \times 100 = 25\%$$

Question 43

The average age of five persons is 60 years. The average age of first four persons is 40 years. What is the age of the fifth person ?

- A 100 years
- B 120 years

- C 140 years
- D 130 years
- E None of these

Answer: C

Explanation:

Sum of ages of 5 persons = $5 \times 60 = 300$

Sum of ages of first 4 persons = $4 \times 40 = 160$

=> Age of fifth person = $300 - 160 = 140$ years

Question 44

Five years ago, the ratio between ages of Meena and Sita was 3 : 4. After five years from now the ratio between their ages will be 5 : 6. Find the present age of Meena ?

- A 22 years
- B 25 years
- C 15 years
- D 20 years
- E None of these

Answer: D

Explanation:

Let the ages of Meena and Sita 5 years ago be $3x$ and $4x$ years

=> Present age of Meena = $(3x + 5)$ years

Present age of Sita = $(4x + 5)$ years

Acc. to ques,

$$\Rightarrow \frac{3x+10}{4x+10} = \frac{5}{6}$$

$$\Rightarrow 18x + 60 = 20x + 50$$

$$\Rightarrow 2x = 60 - 50 = 10$$

$$\Rightarrow x = \frac{10}{2} = 5$$

$$\therefore \text{Present age of Meena} = (3 \times 5 + 5) = 20 \text{ years}$$

Question 45

The average of five positive numbers is 470. The average of first two numbers is 720 and the average of the last two numbers is 150. What is the third number ?

- A 610
- B 600
- C 510
- D 500
- E None of these

Answer: A

Explanation:

Let the numbers be A_1, A_2, A_3, A_4, A_5

$$\Rightarrow A_1 + A_2 + A_3 + A_4 + A_5 = 470 * 5 = 2350$$

$$\text{Also, } A_1 + A_2 = 720 * 2 = 1440$$

$$\text{and } A_4 + A_5 = 150 * 2 = 300$$

$$\Rightarrow A_3 = 2350 - 1440 - 300 = 610$$

Instructions

What will come in place of the question mark (?) in the following questions?

Question 46

$$2\overset{4}{6} + 3\overset{6}{7} + 4\overset{5}{7} + 3\overset{2}{3} = ?$$

A $13\overset{3}{7}$

B $14\overset{19}{21}$

C $15\overset{19}{21}$

D $14\overset{9}{21}$

E None of these

Answer: B

Explanation:

$$\text{Expression : } 2\overset{4}{6} + 3\overset{6}{7} + 4\overset{5}{7} + 3\overset{2}{3} = ?$$

$$= (2 + 3 + 4 + 3) + \left(\overset{4}{6} + \overset{6}{7} + \overset{5}{7} + \overset{2}{3}\right)$$

$$= 12 + \overset{4}{3} + \overset{11}{7}$$

$$= 12 + \overset{61}{21} = 12 + 2\overset{19}{21}$$

$$= 14\overset{19}{21}$$

Question 47

$$22\% \text{ of } 365 - 36\% \text{ of } 465 = ?$$

A 87

B 87.1

C -87.1

D -77.1

E None of these

Answer: C

Explanation:

$$\text{Expression : } 22\% \text{ of } 365 - 36\% \text{ of } 465 = ?$$

$$= \left(\frac{22}{100} \times 365\right) - \left(\frac{36}{100} \times 465\right)$$

$$= 80.3 - 167.4 = -87.1$$

Free Banking Study Material (15000 Solved Questions)

Question 48

? % of 460 - 34% of 356 = 456

- A 110.5
- B 123.4
- C 120.4
- D 125.4
- E None of these

Answer: D

Explanation:

Expression : ? % of 460 - 34% of 356 = 456

$$\Rightarrow \left(\frac{x}{100} \times 460\right) - \left(\frac{34}{100} \times 356\right) = 456$$

$$\Rightarrow 4.6x - 121.04 = 456$$

$$\Rightarrow 4.6x = 456 + 121.04 = 577.04$$

$$\Rightarrow x = \frac{577.04}{4.6} = 125.44$$

Question 49

82% of 285 + ?% of 456 = 845

- A 134.06
- B 135.06
- C 125.06
- D 124.06
- E None of these

Answer: A

Explanation:

Expression : 82% of 285 + ?% of 456 = 845

$$\Rightarrow \left(\frac{82}{100} \times 285\right) + \left(\frac{x}{100} \times 456\right) = 845$$

$$\Rightarrow 233.7 + 4.56x = 845$$

$$\Rightarrow 4.56x = 845 - 233.7 = 611.3$$

$$\Rightarrow x = \frac{611.3}{4.56} = 134.06$$

Question 50

$$\sqrt{729 \times 81} + (19)^2$$

- A 651
- B 615
- C 515

D 551

E None of these

Answer: E

Explanation:

$$\text{Expression : } \sqrt{729 \times 81} + (19)^2$$

$$= (27 \times 9) + 361$$

$$= 243 + 361 = 604$$

SBI PO Solved Previous Papers (Download PDF)

Question 51

$$(0.027)^2 \div (0.09)^5 \times (0.0081) = (0.3)^{x+4}$$

A 3

B 4

C -4

D -3

E None of these

Answer: C

Explanation:

$$\text{Expression : } (0.027)^2 \div (0.09)^5 \times (0.0081) = (0.3)^{x+4}$$

$$\Rightarrow (0.3)^{3 \times 2} \times (0.3)^{\frac{1}{2 \times 5}} \times (0.3)^4 = (0.3)^{x+4}$$

$$\Rightarrow (0.3)^{6-10+4} = (0.3)^{x+4}$$

$$\Rightarrow (0.3)^0 = (0.3)^{x+4}$$

$$\Rightarrow x + 4 = 0$$

$$\Rightarrow x = -4$$

Question 52

$$(2.25)^2 \div (3.375)^4 \times (1.5)^5 = (1.5)^{x-7}$$

A -3

B -4

C 3

D 4

E None of these

Answer: D

Explanation:

$$\text{Expression : } (2.25)^2 \div (3.375)^4 \times (1.5)^5 = (1.5)^{x-7}$$

$$\Rightarrow (1.5)^{2 \times 2} \times (1.5)^{\frac{1}{3 \times 4}} \times (1.5)^5 = (1.5)^{x-7}$$

$$\Rightarrow (1.5)^{4-12+5} = (1.5)^{x-7}$$

$$\Rightarrow -3 = x - 7$$

$$\Rightarrow x = 7 - 3 = 4$$

Question 53

$$(\sqrt{125.44} \times 85 \div 8) - 11 = (?)^2 \div 3$$

A 12

B 16

C 28

D 17

E 18

Answer: E

Explanation:

$$\text{Expression : } (\sqrt{125.44} \times 85 \div 8) - 11 = (?)^2 \div 3$$

$$\Rightarrow \left(\frac{11.2 \times 85}{8}\right) - 11 = \frac{x^2}{3}$$

$$\Rightarrow 119 - 11 = \frac{x^2}{3}$$

$$\Rightarrow x^2 = 108 \times 3 = 324$$

$$\Rightarrow x = \sqrt{324} = 18$$

Get Free Study Material & Updates - Whatsapp "Updates" to 7661025557

Question 54

$$67\% \text{ of } \sqrt{676} \div 0.01 = ? + 577$$

A 1165

B 1156

C 1651

D 1166

E None of these

Answer: A

Explanation:

$$\text{Expression : } 67\% \text{ of } \sqrt{676} \div 0.01 = ? + 577$$

$$\Rightarrow 100 \times \frac{67}{100} \times \frac{26}{100} = x + 577$$

$$\Rightarrow x + 577 = \frac{67}{100} \times 26 \times 100$$

$$\Rightarrow x + 577 = 1742$$

$$\Rightarrow x = 1742 - 577 = 1165$$

Question 55

$$\sqrt{(12)^2 \times 24 \div 5 - (6)^3 + 149.8} = (?)^2$$

- A 25
- B 5
- C 625
- D 15
- E 17

Answer: B

Explanation:

$$\text{Expression : } \sqrt{(12)^2 \times 24 \div 5 - (6)^3 + 149.8} = (?)^2$$

$$\Rightarrow \sqrt{\frac{144 \times 24}{5} - 216 + 149.8} = (x)^2$$

$$\Rightarrow \sqrt{691.2 + 149.8 - 216} = (x)^2$$

$$\Rightarrow \sqrt{625} = (x)^2$$

$$\Rightarrow (x)^2 = 25$$

$$\Rightarrow x = \sqrt{25} = 5$$

Instructions

What will come in place of the question mark (?) in the following number series ?

Question 56

1229 500 157 32 5 (?)

- A 4
- B -4
- C 3
- D 2
- E 1

Answer: A

Explanation:

The pattern is :

$$1229 - 9^3 = 500$$

$$500 - 7^3 = 157$$

$$157 - 5^3 = 32$$

$$32 - 3^3 = 5$$

$$5 - 1^3 = 4$$

SBI PO Free Mocks (Latest Pattern)

Question 57

4 6 12 30 90 (?)

- A 320

- B 315
- C 285
- D 275
- E None of these

Answer: B

Explanation:

The pattern here is :

$$4 \times 2^3 = 6$$

$$6 \times 2^4 = 12$$

$$12 \times 2^5 = 30$$

$$30 \times 2^6 = 90$$

$$90 \times 2^7 = 315$$

Question 58

5 6 10 19 35 (?)

- A 45
- B 50
- C 60
- D 70
- E None of these

Answer: C

Explanation:

Square of natural numbers are added

$$5 + 1^2 = 6$$

$$6 + 2^2 = 10$$

$$10 + 3^2 = 19$$

$$19 + 4^2 = 35$$

$$35 + 5^2 = 60$$

Question 59

121 197 311 463 653 (?)

- A 771
- B 781
- C 871
- D 881
- E None of these

Answer: D

Explanation:

Multiples of 38 are added:

$$121 + 38 \times 2 = 197$$

$$197 + 38 \times 3 = 311$$

$$311 + 38 \times 4 = 463$$

$$463 + 38 \times 5 = 653$$

$$653 + 38 \times 6 = \mathbf{881}$$

Download SBI Clerk Syllabus PDF

Question 60

146 1394 770 1082 926 (?)

- A 1024
- B 1014
- C 1004
- D 984
- E None of these

Answer: C

Explanation:

The pattern is :

$$146 + 1248 = 1394$$

$$1394 - \frac{1248}{2} = 1394 - 624 = 770$$

$$770 + \frac{624}{2} = 770 + 312 = 1082$$

$$1082 - \frac{312}{2} = 1082 - 156 = 926$$

$$926 + \frac{156}{2} = 926 + 78 = \mathbf{1004}$$

Instructions

Study the following table carefully to answer the questions.

Courses	MBBS		Engineering		Arts		Commerce		Psychology	
	Male	Female	Male	Female	Male	Female	Male	Female	Male	Female
2008	7.2	6.3	13.3	3.2	15.5	6.1	12.6	4.1	2.7	1.1
2009	6.6	4.2	18.4	4.2	18.9	6.3	18.4	4.3	3.8	2.2
2010	10.6	5.8	27.4	12.8	23.2	8.8	19.3	10.3	5.7	3.5
2011	13.6	7.9	21.4	13.4	26.6	9.2	12.6	4.4	8.9	4.8
2012	16.8	6.4	12.5	5.2	27.9	12.4	24.2	6.2	14.8	3.2
2013	17.2	5.2	13.4	3.2	35.8	5.9	10.6	5.1	6.6	1.8

Question 61

What is the average number of boys enrolled in all the courses in the year 2008 ? (in thousands)

- A 10.26
- B 9.26
- C 10.62

- D 11.26
E None of these

Answer: A

Explanation:

Number of boys enrolled in all the courses in the year 2008 (in thousands)

$$= 7.2 + 13.3 + 15.5 + 12.6 + 2.7 = 51.3$$

$$\Rightarrow \text{Required average} = \frac{51.3}{5} = 10.26$$

Question 62

What is the average number of girls enrolled in engineering during all the years ? (in thousands)

- A 6.5
B 7
C 7.5
D 8
E None of these

Answer: B

Explanation:

Number of girls enrolled in engineering during all the years (in thousands)

$$= 3.2 + 4.2 + 12.8 + 13.4 + 5.2 + 3.2 = 42$$

$$\Rightarrow \text{Required average} = \frac{42}{6} = 7$$

GK Study Material for Banking Exams (Download PDF)

Question 63

The difference between the number of boys and girls enrolled in commerce during the years 2008, 2009 and 2010. (in thousands) is

- A 21.6
B 316
C 31.6
D 216
E None of these

Answer: C

Explanation:

Number of boys enrolled in commerce during the years 2008, 2009 and 2010. (in thousands) is

$$= 12.6 + 18.4 + 19.3 = 50.3$$

Number of girls enrolled in commerce during the years 2008, 2009 and 2010. (in thousands) is

$$= 4.1 + 4.3 + 10.3 = 18.7$$

$$\Rightarrow \text{Required difference} = 50.3 - 18.7 = 31.6$$

Question 64

By what per cent is the number of boys enrolled in Psychology in 2012 is more than that of girls in the same course and in the same year ?

- A 360.5
- B 260.5
- C 262.5
- D 362.5
- E None of these

Answer: D

Explanation:

Number of boys enrolled in Psychology in 2012 = 14.8

Number of girls enrolled in Psychology in 2012 = 3.2

$$\Rightarrow \text{Required \%} = \frac{14.8-3.2}{3.2} \times 100$$

$$= \frac{11600}{32} = 362.5 \%$$

Question 65

In the given years in which course the number of boys enrolled showed a consistent increase ?

- A Commerce
- B Arts
- C M.B.B.S.
- D Psychology
- E Engineering

Answer: B

Explanation:

In M.B.B.S., the number of boys enrolled decreases from 2008-09

In Eng. and commerce ,number of boys decreased from 2010-11

In Psychology, number of boys enrolled decreases from 2012-13

Clearly, only in Arts, number of boys enrolled consistently increases.

SBI Clerk Free Mock Test (Latest Pattern)

Instructions

For the following questions answer them individually

Question 66

Krishna purchased an item for Rs. 16,200 and sold it at the gain of 16%. From that amount he purchased another item and sold it at the loss of 20%. What is his overall gain/ loss ?

- A 1166.40 loss
- B 1166.40 profit

- C 1266.40 profit
- D 1266.40 loss
- E None of these

Answer: A

Explanation:

Case 1 : C.P. of 1st item = Rs. 16,200

$$\begin{aligned} \text{S.P. of 1st item} &= \frac{116}{100} \times 16,200 \\ &= \text{Rs. } 18,792 \end{aligned}$$

Case 2 : C.P. of 2nd item = Rs. 18,792

$$\begin{aligned} \text{S.P. of 2nd item} &= \frac{80}{100} \times 18,792 \\ &= \text{Rs. } 15,033.60 \end{aligned}$$

∴ Overall loss = C.P. - S.P.

$$= \text{Rs. } (16,200 - 15,033.60) = \text{Rs. } 1,166.40$$

Question 67

If the numerator of a fraction is increased by 125% and the denominator of the fraction is increased by 120%, the resultant fraction is $\frac{9}{11}$. What is the original fraction?

- A $\frac{3}{5}$
- B $\frac{4}{5}$
- C $\frac{4}{7}$
- D $\frac{7}{4}$
- E None of these

Answer: B

Explanation:

Let the original fraction = $\frac{x}{y}$

$$\therefore \frac{x \times 225}{y \times 220} = \frac{9}{11}$$

$$\Rightarrow \frac{x \times 45}{y \times 44} = \frac{9}{11}$$

$$\Rightarrow \frac{x}{y} = \frac{9}{11} \times \frac{44}{45}$$

$$\Rightarrow \frac{x}{y} = \frac{4}{5}$$

Question 68

12 men can complete a piece of work in 48 hours. In how many hours will 36 men complete the same piece of work ?

- A 18
- B 16
- C 32
- D 20
- E 24

Answer: B

Explanation:

Using, $M_1D_1 = M_2D_2$

$$\Rightarrow 12 \times 48 = 36 \times D_2$$

$$\Rightarrow D_2 = \frac{48}{3} = 16 \text{ hours}$$

SBI Clerk Previous Papers (Download PDF)

Question 69

The perimeter of a rectangle is 60 cm and its breadth is 12 cm. What is the area of the rectangle ?

- A 21.6 sq.cm
- B 225 sq.cm
- C 216 sq.cm
- D 224 sq.cm
- E None of these

Answer: C

Explanation:

Perimeter of rectangle = 60 cm

$$\Rightarrow 2(l + b) = 60$$

$$\Rightarrow l + 12 = \frac{60}{2} = 30$$

$$\Rightarrow l = 30 - 12 = 18 \text{ cm}$$

$$\therefore \text{Area of rectangle} = (l \times b) \\ = 18 \times 12 = 216 \text{ cm}^2$$

Question 70

The simple interest on a certain principal is Rs. 1,280 in 2 years at the rate of 8 p.c.p.a. What would be the simple interest accrued on thrice of that principal at the rate of 10.75 p.c.p.a. at the end of two years ?

- A Rs. 4960
- B Rs. 4860
- C Rs. 5060
- D Rs. 5160
- E None of these

Answer: D

Explanation:

Let the principal = Rs. x

$$\text{S.I.} = \frac{\text{Principal} \times \text{Rate} \times \text{Time}}{100}$$

$$\Rightarrow 1280 = \frac{x \times 8 \times 2}{100}$$

$$\Rightarrow x = 80 \times 100 = 8,000$$

Simple interest accrued on thrice of that principal

$$= \frac{24,000 \times 10.75 \times 2}{100}$$

= Rs. 5,160

Instructions

What approximate value will come in the place of question mark (?) in the following questions ? (You are not expected to find exact value.)

Question 71

29 % of 3420 + 17% of 388 - 310 =?

- A 750
- B 770
- C 720
- D 760
- E None of these

Answer: A

Explanation:

Expression : 29 % of 3420 + 17% of 388 - 310 =?

$$= \left(\frac{29}{100} \times 3420\right) + \left(\frac{17}{100} \times 388\right) - 310$$

$$= 991.8 + 65.96 - 310$$

$$= 747.76 \approx 750$$

Free Banking Study Material (15,000 Solved Questions)

Question 72

$(17.7 \times 28.9) \div (32.8 - 17.4)^2 = ?$

- A 3.5
- B 2
- C 4
- D 5
- E 6

Answer: B

Explanation:

Expression : $(17.7 \times 28.9) \div (32.8 - 17.4)^2 = ?$

$$\approx \frac{15 \times 30}{(15)^2}$$

$$= 2$$

Question 73

87% of 3981 - 725.14 = 45% of ?

- A 6100

- B 6200
- C 6120
- D 6080
- E None of these

Answer: D

Explanation:

Expression : $87\% \text{ of } 3981 - 725.14 = 45\% \text{ of } ?$

$$\approx \left(\frac{87}{100} \times 3980 \right) - (725) = \left(\frac{45}{100} \times x \right)$$

$$\Rightarrow 3462.6 - 725 = \frac{9x}{20}$$

$$\Rightarrow 9x = 2737.6 \times 20 = 54752$$

$$\Rightarrow x = \frac{54752}{9} = 6083.5 \approx 6080$$

\Rightarrow Ans - (D)

Question 74

$(8)^2 \% \text{ of } ? = 723 + 45$

- A 1155
- B 1255
- C 1100
- D 1200
- E 1225

Answer: D

Explanation:

Expression : $(8)^2 \% \text{ of } ? = 723 + 45$

$$\Rightarrow \frac{64}{100} x = 768$$

$$\Rightarrow x = 100 \times 12 = 1200$$

Download Highly Rated Banking APP

Question 75

$\frac{3}{4} \text{ of } 26\% \text{ of } 850 = ?$

- A 166
- B 150
- C 146
- D 148
- E 149

Answer: A

Explanation:

Expression : $\frac{3}{4}$ of 26% of 850 = ?

$$\approx \frac{3}{4} \times \frac{25}{100} \times 850$$

$$= 3 \times 54 = 162$$

$$\approx 166$$

Instructions

For the following questions answer them individually

Question 76

A 210 metre long train crosses a platform in 120 seconds. What is the speed of train?

A 2.5 m/sec.

B 3.5 m,/sec.

C 10 m/sec.

D Cannot be determined.

E None of these

Answer: D

Explanation:

$$\text{Speed of train} = \frac{\text{Length of train} + \text{Length of platform}}{\text{Time}}$$

\therefore We do not know the length of platform, thus we cannot find the speed of train

Ans - (D)

Question 77

The angles in a triangle are in a ratio of 19 : 10 : 7. What is the sum of thrice the smallest angle and the twice the largest angle ?

A 275°

B 295°

C 280°

D 273°

E None of these

Answer: B

Explanation:

Let the angles of the triangle be $19x, 10x, 7x$

$$\Rightarrow \text{Sum of angles} = 19x + 10x + 7x = 180^\circ$$

$$\Rightarrow 36x = 180^\circ$$

$$\Rightarrow x = \frac{180}{36} = 5^\circ$$

$$\Rightarrow \text{Angles are} = 95^\circ, 50^\circ, 35^\circ$$

\therefore Sum of thrice the smallest angle and the twice the largest angle

$$= (3 \times 35^\circ) + (2 \times 95^\circ)$$

$$= 105 + 190 = 295^\circ$$

Question 78

Find the compound interest on a sum of Rs. 125000 for- 9 months at the rate of 8 per cent per annum compounded quarterly.

- A Rs. 7651
- B Rs. 756
- C Rs. 7165
- D Rs. 7251
- E None of these

Answer: A

Explanation:

Amount when interest is compounded quarterly

$$\begin{aligned} \Rightarrow A &= P \left(1 + \frac{R}{100}\right)^{4T} \\ &= 1,25,000 \left(1 + \frac{8}{100}\right)^{4 \times 3} \\ &= 1,25,000 \left(1 + \frac{1}{50}\right)^3 \\ &= 1,25,000 \times \frac{51}{50} \times \frac{51}{50} \times \frac{51}{50} \\ &= 51 \times 51 \times 51 = \text{Rs. } 1,32,651 \\ \therefore \text{C.I.} &= 1,32,651 - 1,25,000 \\ &= \text{Rs. } 7,651 \end{aligned}$$

Question 79

Ramesh had to obtain 36% marks to pass in an examination. He obtained 24% marks and failed by 9 marks. Find the maximum marks of the examination.

- A 85
- B 75
- C 80
- D 90
- E None of these

Answer: B

Explanation:

Let the maximum marks in the examination be $100x$

Acc. to ques,

$$\begin{aligned} \Rightarrow 36\% \times 100x &= \left(\frac{24}{100} \times 100x\right) + 9 \\ \Rightarrow 36x &= 24x + 9 \\ \Rightarrow 12x &= 9 \\ \Rightarrow x &= \frac{9}{12} = \frac{3}{4} \end{aligned}$$

$$\therefore \text{Maximum marks} = \frac{3}{4} \times 100 = 75$$

Question 80

From a group of 8 boys, a boy left and a new boy weighing 56 kg was included in the team. Thus the average weight of the group increased by 2.5 What is the weight of new boy'?

- A 38.5 kg
- B 38 kg
- C 36.5 kg
- D 36 kg
- E None of these

Answer: D

Explanation:
REASONING

Free Banking Study Material (15000 Solved Questions)

Reasoning

Instructions

In these questions, relationship between different elements is shown in the statements. The statements are followed by two conclusions.

- Give answer a: if only Conclusion I is true.
- Give answer b: if only Conclusion II is true.
- Give answer c: if either Conclusion I or II is true.
- Give answer d: if neither Conclusion I nor II is true.
- Give answer e: if both Conclusions I and H are true.

Question 81

Statements :

$$A \geq B = C \leq D$$

Conclusions :

- I. $A \geq C$
- II. $D > A$

- A if only Conclusion I is true.
- B if only Conclusion II is true.
- C if either Conclusion I or II is true.
- D if neither Conclusion I nor II is true.
- E if both Conclusions I and H are true.

Answer: A

SBI PO Solved Previous Papers (Download PDF)

Question 82

Statements :

$$P < Q = M \geq H < O$$

Conclusions :

I. $Q > O$

II. $P < M$

- A if only Conclusion I is true.
- B if only Conclusion II is true.
- C if either Conclusion I or II is true.
- D if neither Conclusion I nor II is true.
- E if both Conclusions I and H are true.

Answer: B

Question 83

Statements :

$$T > R < S = U > V; U \geq M$$

Conclusions :

I. $M \geq R$

II. $T \leq M$

- A if only Conclusion I is true.
- B if only Conclusion II is true.
- C if either Conclusion I or II is true.
- D if neither Conclusion I nor II is true.
- E if both Conclusions I and H are true.

Answer: D

Question 84

Statements :

$$Q \leq P \geq M \leq N = T; N \leq O$$

Conclusions :

I. $O \geq T$

II. $O \leq Q$

- A if only Conclusion I is true.
- B if only Conclusion II is true.
- C if either Conclusion I or II is true.
- D if neither Conclusion I nor II is true.
- E if both Conclusions I and H are true.

Answer: A

Get Free Study Material & Updates - Whatsapp "Updates" to 7661025557

Question 85

Statements :

$$D > E = F \leq C \geq P < Q$$

Conclusions :

I. $E < Q$

II. $F \geq P$

- A if only Conclusion I is true.
- B if only Conclusion II is true.
- C if either Conclusion I or II is true.
- D if neither Conclusion I nor II is true.
- E if both Conclusions I and H are true.

Answer: D

Instructions

Study the following information carefully and answer the questions given below :

In a certain code language,

'bank for my conductor' is written as 'ya ri vi pa'

'for conductor is my' is written as 'ri vi pa da'

'my computer is yours' is written as 'da vi pi du'

'it yours tablet' is written as 'yu du ca'

Question 86

Which of the following is the code for 'conductor' ?

- A da
- B ri
- C ya
- D pa
- E ri or pa

Answer: E

Explanation:

There are 3 common words in the first two statements which are 'for', 'my' and 'conductor'.

The remaining words, i.e. in first statement 'bank' is coded as = 'ya'

and in 2nd statement, 'is' is coded as = 'da'

The common words in second and third statements except for 'is' is 'my' which is coded as = 'vi'

=> Code for 'for' and 'conductor' is = either 'ri' or 'pa'

The common word in the last two statements is 'yours' coded as = 'du'

=> In 3rd statement, only word left, 'computer' is coded as = 'pi'

Also, in 4th statement, codes for 'it' and 'tablet' is coded as = either 'yu' or 'ca'

Thus, the code for 'conductor' = either 'ri' or 'pa'

=> Ans - (E)

Question 87

Which of the following may represent 'ya pi du' ?

- A my computer tablet
B yours computer bank
C yours tablet bank
D computer for bank
E my tablet conductor

Answer: B

Explanation:

There are 3 common words in the first two statements which are 'for', 'my' and 'conductor'.

The remaining words, i.e. in first statement 'bank' is coded as = 'ya'

and in 2nd statement, 'is' is coded as = 'da'

The common words in second and third statements except for 'is' is 'my' which is coded as = 'vi'

=> Code for 'for' and 'conductor' is = either 'ri' or 'pa'

The common word in the last two statements is 'yours' coded as = 'du'

=> In 3rd statement, only word left, 'computer' is coded as = 'pi'

Also, in 4th statement, codes for 'it' and 'tablet' is coded as = either 'yu' or 'ca'

Thus, 'ya pi du' may be represented by = **yours computer bank**

=> Ans - (B)

SBI PO Free Mocks (Latest Pattern)

Question 88

What is the code for 'my' ?

- A ri
B pa
C du
D vi
E da

Answer: D

Explanation:

There are 3 common words in the first two statements which are 'for', 'my' and 'conductor'.

The remaining words, i.e. in first statement 'bank' is coded as = 'ya'

and in 2nd statement, 'is' is coded as = 'da'

The common words in second and third statements except for 'is' is 'my' which is coded as = 'vi'

=> Code for 'for' and 'conductor' is = either 'ri' or 'pa'

The common word in the last two statements is 'yours' coded as = 'du'

=> In 3rd statement, only word left, 'computer' is coded as = 'pi'

Also, in 4th statement, codes for 'it' and 'tablet' is coded as = either 'yu' or 'ca'

Thus, the code for 'my' = **vi**

=> Ans - (D)

Question 89

What does the code 'pa' stand for ?

- A for
- B conductor
- C my
- D bank
- E Cannot be determined

Answer: E

Explanation:

There are 3 common words in the first two statements which are 'for', 'my' and 'conductor'.

The remaining words, i.e. in first statement 'bank' is coded as = 'ya'

and in 2nd statement, 'is' is coded as = 'da'

The common words in second and third statements except for 'is' is 'my' which is coded as = 'vi'

=> Code for 'for' and 'conductor' is = either 'ri' or 'pa'

The common word in the last two statements is 'yours' coded as = 'du'

=> In 3rd statement, only word left, 'computer' is coded as = 'pi'

Also, in 4th statement, codes for 'it' and 'tablet' is coded as = either 'yu' or 'ca'

Thus, the code 'pa' stands for = either **'for'** or **'conductor'**

=> Ans - (E)

Question 90

In that code language 'my computer' can be coded as :

- A pi vi
- B pi da
- C vi ri
- D pi ya
- E du pi

Answer: A

Explanation:

There are 3 common words in the first two statements which are 'for', 'my' and 'conductor'.

The remaining words, i.e. in first statement 'bank' is coded as = 'ya'

and in 2nd statement, 'is' is coded as = 'da'

The common words in second and third statements except for 'is' is 'my' which is coded as = 'vi'

=> Code for 'for' and 'conductor' is = either 'ri' or 'pa'

The common word in the last two statements is 'yours' coded as = 'du'

=> In 3rd statement, only word left, 'computer' is coded as = 'pi'

Also, in 4th statement, codes for 'it' and 'tablet' is coded as = either 'yu' or 'ca'

Thus, 'my computer' can be coded as = **pi vi**

=> Ans - (A)

Download SBI Clerk Syllabus PDF

Instructions

In each question below are two statements followed by two conclusions numbered I and II. You have to take the two given statements to be true even if they seem to be at variance from commonly known facts and then decide which of the given conclusions logically follows from the two statements disregarding commonly known facts.

Give answer a: if only conclusion I follows.

Give answer b: if only conclusion II follows.

Give answer c: if either conclusion I or conclusion II follows.

Give answer d: if neither conclusion I nor conclusion II follows.

Give answer e: if both conclusion I and conclusion II follow.

Question 91

Statements :

Some apples are oranges.

Some oranges are potatoes.

Conclusions :

I.No orange is apple.

II. At least some potatoes are oranges.

A if only conclusion I follows.

B if only conclusion II follows.

C if either conclusion I or conclusion II follows.

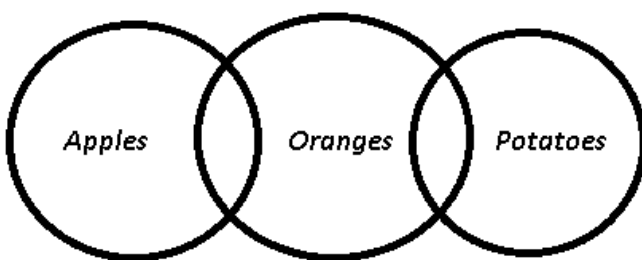
D if neither conclusion I nor conclusion II follows.

E if both conclusion I and conclusion II follow.

Answer: B

Explanation:

The venn diagram for above statements is :



Conclusions :

I.No orange is apple = false

II. At least some potatoes are oranges = true

Thus, only conclusion II follows.

=> Ans - (B)

Question 92

Statements :

No pen is pencil.

No pencil is ink.

Conclusions :

I. Some ink are pens.

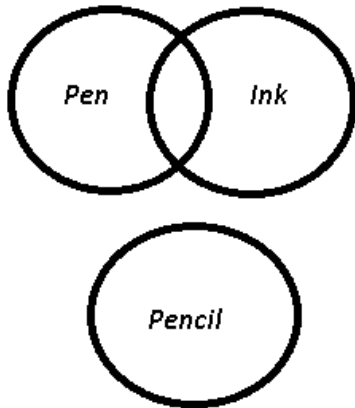
II. Some pens being ink is a possibility.

- A if only conclusion I follows.
- B if only conclusion II follows.
- C if either conclusion I or conclusion II follows.
- D if neither conclusion I nor conclusion II follows.
- E if both conclusion I and conclusion II follow.

Answer: B

Explanation:

The venn diagram for above statements is :



Conclusions :

- I. Some ink are pens = may or may not be true
- II. Some pens being ink is a possibility = true

Thus, only conclusion II follows.

=> Ans - (B)

Question 93

Statements :

No elephant is horse.

All bulls are horses.

Conclusions :

I. No bull is elephant.

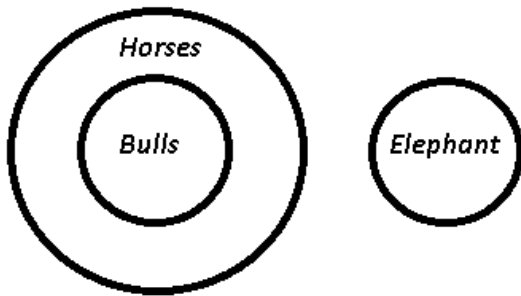
II. Some bulls being elephant is a possibility.

- A if only conclusion I follows.
- B if only conclusion II follows.
- C if either conclusion I or conclusion II follows.
- D if neither conclusion I nor conclusion II follows.
- E if both conclusion I and conclusion II follow.

Answer: A

Explanation:

The venn diagram for above statements is :



Conclusions :

- I. No bull is elephant = true
- II. Some bulls being elephant is a possibility = false

Thus, only conclusion I follows.

=> Ans - (A)

GK Study Material for Banking Exams (Download PDF)

Question 94

Statements :

- Some books are papers.
- No paper is bottle.

Conclusions :

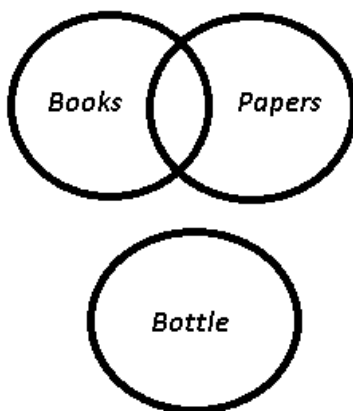
- I. No bottle is book.
- II. Some bottles being book is a possibility.

- A if only conclusion I follows.
- B if only conclusion II follows.
- C if either conclusion I or conclusion II follows.
- D if neither conclusion I nor conclusion II follows.
- E if both conclusion I and conclusion II follow.

Answer: B

Explanation:

The venn diagram for above statements is :



Conclusions :

- I. No bottle is book = may or may not be true
- II. Some bottles being book is a possibility = true

Thus, only conclusion II follows.

=> Ans - (B)

Question 95

Statements :

Some mobiles are tablets.

No tablet is personal computer.

Conclusions :

I. No personal computer is mobile.

II. Some personal computers are mobiles.

A if only conclusion I follows.

B if only conclusion II follows.

C if either conclusion I or conclusion II follows.

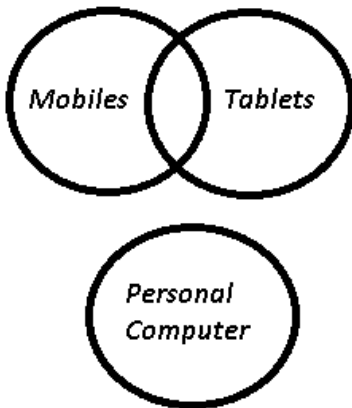
D if neither conclusion I nor conclusion II follows.

E if both conclusion I and conclusion II follow.

Answer: C

Explanation:

The venn diagram for above statements is :



Conclusions :

I. No personal computer is mobile = may or may not be true

II. Some personal computers are mobiles = may or may not be true

Thus, either conclusion I or conclusion II follows.

=> Ans - (C)

Instructions

Study the following information carefully and answer the questions given below.

Ten people are sitting in two parallel row containing five people each, in such a way that there is an equal distance between adjacent people. In Row-1, V, W, X, Y and Z are seated and all of them are facing south. In Row-2, H, I, J, K and L are seated and all of them are facing north. Therefore, in the given seating arrangement each member seated in a row faces another member of the other row. Y is sitting to the immediate left of W. H is to the immediate left of person who faces V. L is sitting third to the right of J. Z is at the extreme end of the line. X faces L. W is sitting second to the right of the person who faces K. J is at the extreme end of the line.

Question 96

Who amongst the following is sitting second to the left of V?

A Y

B X

C W

D Z

E None of these

Answer: D

Explanation:

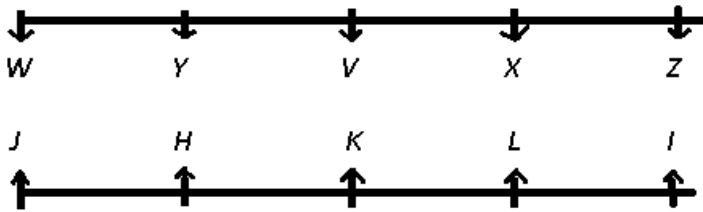
J is at the extreme end of the line and L is sitting third to the right of J, => J is sitting at the left end of Row-2, and L is sitting 2nd from right end in the same row.

X faces L, => X is sitting 2nd from left end of Row-1.

Y is sitting to the immediate left of W and W is sitting second to the right of the person who faces K, => W is sitting at extreme right end of Row-1 and K is sitting at the centre of Row-2.

Z is at the extreme end of the line, => Z is at the left end of Row-1, only place left in this row is taken by V, i.e. opposite K.

H is to the immediate left of person who faces V, => H is immediate left of K, and thus I is at the extreme right end of Row-2.



Z is sitting second to the left of V.

=> Ans - (D)

SBI Clerk Free Mock Test (Latest Pattern)

Question 97

Who amongst the following sit at the extreme ends of the two rows ?

A I, J, W, Z

B X, Z, J, L

C W, X, K, J

D Z, Y, J, H

E W, Z, J, L

Answer: A

Explanation:

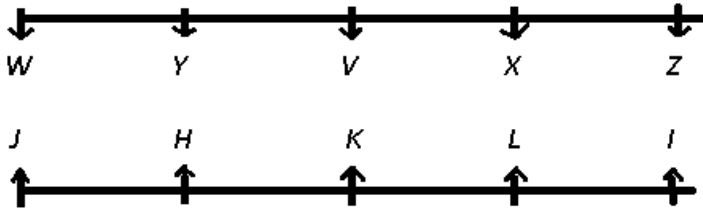
J is at the extreme end of the line and L is sitting third to the right of J, => J is sitting at the left end of Row-2, and L is sitting 2nd from right end in the same row.

X faces L, => X is sitting 2nd from left end of Row-1.

Y is sitting to the immediate left of W and W is sitting second to the right of the person who faces K, => W is sitting at extreme right end of Row-1 and K is sitting at the centre of Row-2.

Z is at the extreme end of the line, => Z is at the left end of Row-1, only place left in this row is taken by V, i.e. opposite K.

H is to the immediate left of person who faces V, => H is immediate left of K, and thus I is at the extreme right end of Row-2.



I, J, W and Z sit at the extreme ends.

=> Ans - (A)

Question 98

Which of the following statements is true regarding K ?

- A K sits third to the right of J.
- B K is not an immediate neighbour of H.
- C K sits second to the left of I.
- D K faces Y
- E There are three persons to the left of K.

Answer: C

Explanation:

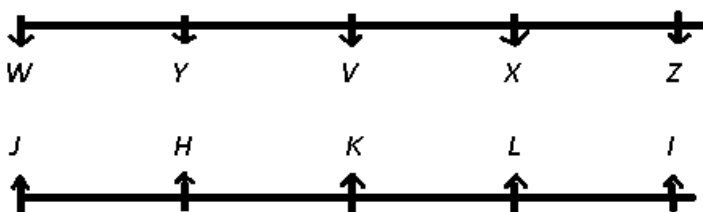
J is at the extreme end of the line and L is sitting third to the right of J, => J is sitting at the left end of Row-2, and L is sitting 2nd from right end in the same row.

X faces L, => X is sitting 2nd from left end of Row-1.

Y is sitting to the immediate left of W and W is sitting second to the right of the person who faces K, => W is sitting at extreme right end of Row-1 and K is sitting at the centre of Row-2.

Z is at the extreme end of the line, => Z is at the left end of Row-1, only place left in this row is taken by V, i.e. opposite K.

H is to the immediate left of person who faces V, => H is immediate left of K, and thus I is at the extreme right end of Row-2.



The only true statement is that K sits second to the left of I.

=> Ans - (C)

Question 99

Which of the following statements is true regarding J ?

- A J is at extreme right position.
- B J is sitting between H and L.
- C J faces V
- D K is an immediate neighbour of J
- E None is true

Answer: E

Explanation:

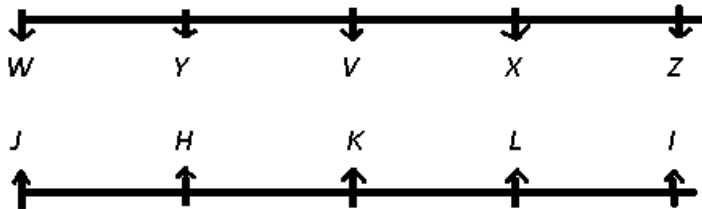
J is at the extreme end of the line and L is sitting third to the right of J, => J is sitting at the left end of Row-2, and L is sitting 2nd from right end in the same row.

X faces L, => X is sitting 2nd from left end of Row-1.

Y is sitting to the immediate left of W and W is sitting second to the right of the person who faces K, => W is sitting at extreme right end of Row-1 and K is sitting at the centre of Row-2.

Z is at the extreme end of the line, => Z is at the left end of Row-1, only place left in this row is taken by V, i.e. opposite K.

H is to the immediate left of person who faces V, => H is immediate left of K, and thus I is at the extreme right end of Row-2.



None of the statements is true regarding J.

=> Ans - (E)

[SBI Clerk Previous Papers \(Download PDF\)](#)

Question 100

Who among the following sits exactly between X and Y ?

- A W
- B V
- C Z
- D Cannot be determined
- E There is no person between X and Y

Answer: B

Explanation:

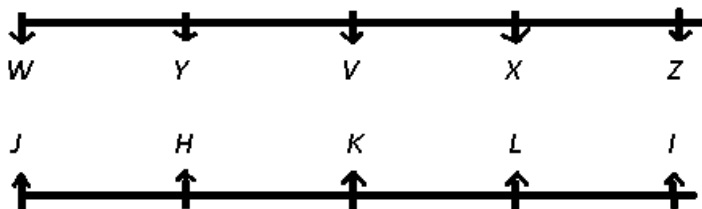
J is at the extreme end of the line and L is sitting third to the right of J, => J is sitting at the left end of Row-2, and L is sitting 2nd from right end in the same row.

X faces L, => X is sitting 2nd from left end of Row-1.

Y is sitting to the immediate left of W and W is sitting second to the right of the person who faces K, => W is sitting at extreme right end of Row-1 and K is sitting at the centre of Row-2.

Z is at the extreme end of the line, => Z is at the left end of Row-1, only place left in this row is taken by V, i.e. opposite K.

H is to the immediate left of person who faces V, => H is immediate left of K, and thus I is at the extreme right end of Row-2.



V sits exactly between X and Y.

=> Ans - (B)

Instructions

Study the following information carefully and answer the questions given below :

Seven friends – A, B, C, D, E, F and G – joined different languages courses viz, Marathi, Hindi, Bengali, Odiya, Telugu, Gujarati and Malayalam on the seven different days of the same week from Monday to Sunday, but not necessarily in the same order. Only three friends joined courses after D. Only two friends joined courses between D and the one who joined Bengali language. Only three friends joined language courses between the persons who joined Bengali and Odiya languages. Only one friend joined between G and who person who joined Telugu language. G joined courses neither on Tuesday nor on Wednesday. Neither G nor E joined Odiya language. Only three friends joined language courses between G and C. A joined language course on the day immediately before the one who joined Malayalam language. Neither D nor E joined Malayalam language. B joined Hindi language. A did not join Gujarati language.

Question 101

On which of the following days of the week A did join the language course ?

- A Tuesday
- B Monday
- C Friday
- D Wednesday
- E Thursday

Answer: B

Question 102

Who among the following did join the Bengali language course ?

- A A
- B D
- C F
- D G
- E E

Answer: E

Free Banking Study Material (15,000 Solved Questions)

Question 103

Who among the following joined the Odiya language course ?

- A C
- B D
- C F
- D A

E Either A or F

Answer: C

Question 104

Which of the following combinations of Day-Person- Course is not correct ?

A Wednesday- F Odiya

B Saturday - G - Gujarati

C Thursday - D – Telugu

D Monday - C - Bengali

E Friday - B - Hindi

Answer: D

Question 105

Who among the following joined the language course on the last day of the week, i.e., Sunday ?

A E

B F

C C

D G

E B

Answer: A

Download Highly Rated Banking APP

Instructions

Study the following information carefully and answer the questions given below :A and B are husband and wife. C is son of B. D is son of C. C is married to P. P is mother of M. R is daughter of M. M is mother of T.

Question 106

Who among the following is the grandson of A ?

A C

B D

C M

D T

E P

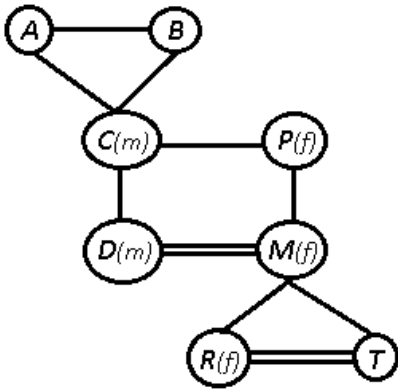
Answer: B

Explanation:

A and B are husband and wife. C is son of B. D is son of C, => D is grandson of A and B, whose genders are unknown.

C is married to P. P is mother of M, => P is wife of C.

R is daughter of M. M is mother of T, => M is sister of D, and T and R(female) are siblings.



D is grandson of A.

=> Ans - (B)

Question 107

Who among the following is the granddaughter of C?

- A R
- B T
- C D
- D M
- E None of these

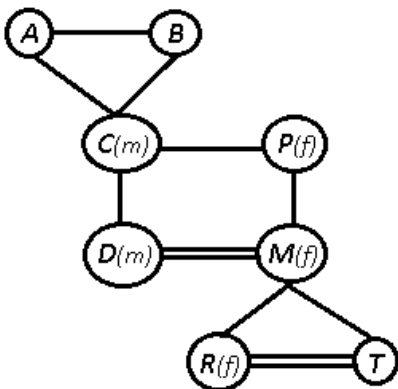
Answer: A

Explanation:

A and B are husband and wife. C is son of B, D is son of C, => D is grandson of A and B, whose genders are unknown.

C is married to P. P is mother of M, => P is wife of C.

R is daughter of M. M is mother of T, => M is sister of D, and T and R(female) are siblings.



R is granddaughter of C.

=> Ans - (A)

Question 108

Who among the following is mother-in-law of P

- A A
- B B

- C M
- D Either A or B
- E None of these

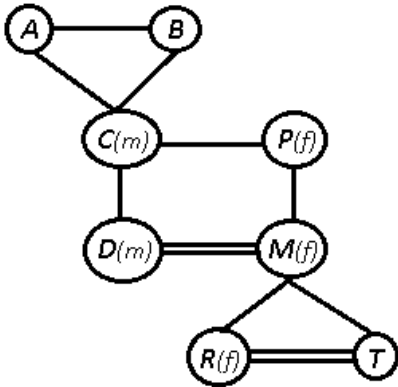
Answer: D

Explanation:

A and B are husband and wife. C is son of B. D is son of C, => D is grandson of A and B, whose genders are unknown.

C is married to P. P is mother of M, => P is wife of C.

R is daughter of M. M is mother of T, => M is sister of D, and T and R(female) are siblings.



Either A or B is mother-in-law of P

=> Ans - (D)

Instructions

Study the following information carefully and answer the questions given below :

Among five persons – M, N, O, P and Q – each having different height. N is taller than O but shorter than M. Q is taller than only P. The second tallest person is 165 cm tall while the second shortest is 155 cm tall.

Question 109

Who among the following is the tallest ?

- A Q
- B O
- C M
- D N
- E None of these

Answer: C

Explanation:

N is taller than O but shorter than M, => $M > N > O$

Q is taller than only P, => P is the shortest and Q is the second shortest.

=> Arrangement : $M > N > O > Q > P$

Also, N = 165 cm and Q = 155 cm

Clearly, M is the tallest.

=> Ans - (C)

Question 110

Who among the following may be 160cm tall ?

- A O
- B N
- C Q
- D P
- E None of these

Answer: A

Explanation:

N is taller than O but shorter than M, $\Rightarrow M > N > O$

Q is taller than only P, $\Rightarrow P$ is the shortest and Q is the second shortest.

\Rightarrow Arrangement : $M > N > O > Q > P$

Also, $N = 165$ cm and $Q = 155$ cm

160 lies between 155 and 165 cm and here only one person lies between N (165 cm) and Q (155 cm)

Thus, O may be 160 cm tall.

\Rightarrow Ans - (A)

Question 111

Who among the following is shorter than N but taller than Q?

- A P
- B M or O
- C M
- D O
- E None of these

Answer: D

Explanation:

N is taller than O but shorter than M, $\Rightarrow M > N > O$

Q is taller than only P, $\Rightarrow P$ is the shortest and Q is the second shortest.

\Rightarrow Arrangement : $M > N > O > Q > P$

Also, $N = 165$ cm and $Q = 155$ cm

The person who is shorter than N but taller than Q is O.

\Rightarrow Ans - (D)

Free Banking Study Material (15000 Solved Questions)

Instructions

Study the following information carefully and answer the questions given below: M, V, K, D, T, J and R are seven friends studying in different classes – IIIrd, IVth, Vth, VIth, VIIth, VIIIth, and IXth standards. Each of them has different favourite colours yellow, blue, red, white, black, green and violet. J likes red and studies in class Vth. R likes violet and studies in Class IIIrd. M studies in VIIIth and does not like either green or yellow. K likes white and does not study either in Vth or in IVth. D studies in VIth and likes black. T does not study in IVth. V does not like green.

Question 112

In which standard does K study ?

- A IIIrd
- B Vth
- C IVth
- D VIth
- E None of these

Answer: E

Explanation:

J likes red and studies in class V and R likes violet and studies in Class III.

D studies in VIth and likes black and K likes white

M does not like green or yellow and V does not like green,

=> T likes green , V likes yellow and M likes blue.

Also, M studies in VIII and K does not study in either IV or VII and T does not study in IV class,

=> V studies in IV , T in VII and K studies in IX class.

Students	Color	Class
M	Blue	VIII
V	Yellow	IV
K	White	IX
D	Black	VI
T	Green	VII
J	Red	V
R	Violet	III

K studies in IX standard.

=> Ans - (E)

Question 113

What is M's favourite colour

- A Red
- B Yellow
- C Green
- D Blue
- E None of these

Answer: D

Explanation:

J likes red and studies in class V and R likes violet and studies in Class III.

D studies in VIth and likes black and K likes white

M does not like green or yellow and V does not like green,

=> T likes green , V likes yellow and M likes blue.

Also, M studies in VIII and K does not study in either IV or VII and T does not study in IV class,

=> V studies in IV , T in VII and K studies in IX class.

Students	Color	Class
M	Blue	VIII
V	Yellow	IV
K	White	IX
D	Black	VI
T	Green	VII
J	Red	V
R	Violet	III

M's favourite color is Blue.

=> Ans - (D)

Question 114

In which standard does 'V' study ?

- A IVth
- B IXth
- C VIIIth
- D Data inadequate
- E None of these

Answer: A

Explanation:

J likes red and studies in class V and R likes violet and studies in Class III.

D studies in VIth and likes black and K likes white

M does not like green or yellow and V does not like green,

=> T likes green , V likes yellow and M likes blue.

Also, M studies in VIII and K does not study in either IV or VII and T does not study in IV class,

=> V studies in IV , T in VII and K studies in IX class.

Students	Color	Class
M	Blue	VIII
V	Yellow	IV
K	White	IX
D	Black	VI
T	Green	VII
J	Red	V
R	Violet	III

V studies in IV class.

=> Ans - (A)

SBI PO Solved Previous Papers (Download PDF)

Question 115

What is V's favourite colour?

- A Green
- B Red
- C Yellow
- D Data inadequate
- E None of these

Answer: C

Explanation:

J likes red and studies in class V and R likes violet and studies in Class III.

D studies in VIth and likes black and K likes white

M does not like green or yellow and V does not like green,

=> T likes green , V likes yellow and M likes blue.

Also, M studies in VIII and K does not study in either IV or VII and T does not study in IV class,

=> V studies in IV , T in VII and K studies in IX class.

Students	Color	Class
M	Blue	VIII
V	Yellow	IV
K	White	IX
D	Black	VI
T	Green	VII
J	Red	V
R	Violet	III

V's favourite color is Yellow.

=> Ans - (C)

Instructions

For the following questions answer them individually

Question 116

Statement : The Government is working on a proposal to double the investment threshold that defines micro, small and medium enterprises (MSMEs). Which of the following can not be a possible effect of the above proposal if it is accepted ?

- A The MSMEs would grow at rapid pace as many small entities prefer to be small for the fear of losing out the tax benefits.
- B If the sizes of companies are bigger then they are less vulnerable and their issues can be addressed in a better way.
- C The MSMEs would discard its basic structure and these would come in direct competition with the bigger companies.
- D The step would enable more companies to get tax benefits currently available to MSMEs.
- E Technological upgradation and more R & D would be available to MSMEs.

Answer: C

Question 117

Effect : The Reserve Bank of India has increased the priority sector housing loans to Rs. 40 lakh per unit. Which of the following can be a possible cause of the above statement ?

- A The Government is facing great challenge to provide affordable housing to the needy people.
- B The definition of affordability in most of the cities has changed and more funds are needed to purchase a dwelling unit.
- C Real estate developers are focusing on high-end luxury segment and ignoring the lower segment
- D The costs of building materials have surpassed the prices of land for housing.
- E Banking industry has sought permission to finance land purchase also.

Answer: B

Get Free Study Material & Updates - Whatsapp "Updates" to 7661025557

Question 118

Statement : The Income Tax authorities carried out raids at three different business houses in the city last week. Which of the following can be a possible effect of the above statement ?

- A The three business houses are regular defaulters in payment of their income tax.
- B The Income Tax department had received a tip off about the illegal activities going on in the three business houses.
- C The Government decided to look into the matter and has appointed an inquiry committee.
- D Other business houses took immediate action to clear off all their income tax dues in order to avoid a raid on their establishments.
- E The authorities intend to conduct raids in several other business houses in the vicinity.

Answer: D

Explanation:

Options (a) and (b) are causes of the above statement.

Options (c) and (e) are independent effects.

Thus, the only possible effect is that other business houses took immediate action to clear off all their income tax dues in order to avoid a raid on their establishments.

=> Ans - (D)

Instructions

Read the following information carefully and answer the questions given below :

Point B is 4 metres towards the North of point A.

Point E is 8 metres towards the East of point B.

Point C is 5 metres towards the East of point A.

Point D is 9 metres towards the West of point C.

Question 119

How far should one walk from point A in order to reach point D?

- A 4 metres
- B 9 metres
- C 5 metres
- D 14 metres
- E 8 metres

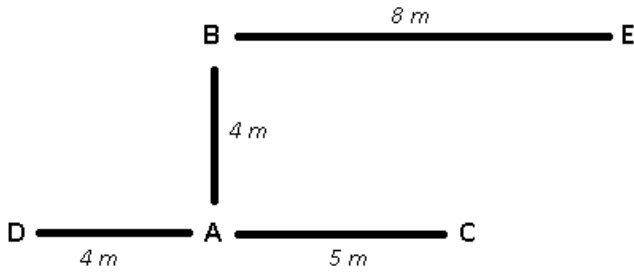
Answer: A

Explanation:

Point B is 4 m towards the North of point A and point C is 5 m towards the East of point A.

Point E is 8 m towards the East of point B.

Point D is 9 m towards the West of point C, => D is 4 m west of point A.



Point D is 4 m to the west of point A.

=> Ans - (A)

Question 120

If a person walks 4 metres towards the South from point E and then walks after taking a right turn, which of the following points would he reach first?

- A A
- B B
- C C
- D D
- E None of these

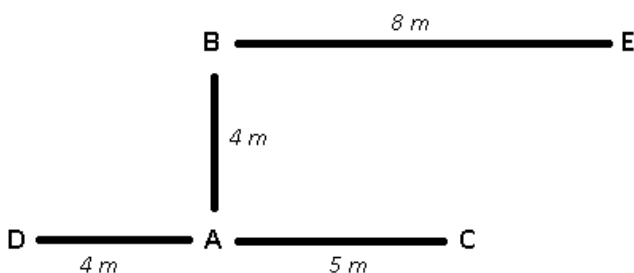
Answer: C

Explanation:

Point B is 4 m towards the North of point A and point C is 5 m towards the East of point A.

Point E is 8 m towards the East of point B.

Point D is 9 m towards the West of point C, => D is 4 m west of point A.



If a person walks 4 m south of point E, he will reach 3 m to the east of C, thus, after taking right right he will first reach point C.

=> Ans - (C)

SBI PO Free Mocks (Latest Pattern)

Computer Knowledge

Instructions

For the following questions answer them individually

Question 121

What does ASCII stand for?

- A American Standard Code for Information Intelligence
- B American Standard Code for Income Interchange
- C American Standard Code for Information Interchange
- D American States Code for Intelligence Interchange
- E None of the above

Answer: C

Download SBI Clerk Syllabus PDF

Question 122

Which of the following is a binary number?

- A 10101000
- B 245
- C 200
- D 02
- E All of the above

Answer: A

Question 123

. ISI marked brand is known as

- A Certification mark
- B Bookmark
- C Trade mark
- D Identity mark
- E Brand mark

Answer: A

Question 124

Marketing process that turns marketing strategies into marketing actions in order to accomplish strategic marketing objectives is

- A Marketing monitoring
- B Marketing control
- C Marketing implementation

- D Marketing evaluation
- E Marketing formulation

Answer: C

GK Study Material for Banking Exams (Download PDF)

Question 125

Which of the following is an operating system?

- A Android
- B Linus
- C QNX
- D Windows Vista
- E All of the above

Answer: E

Question 126

3G stands for

- A Third Generation
- B Trillion Gigabyte
- C Tenth Girdle
- D Triple Generation
- E Third Game

Answer: A

Question 127

Which of the following terms is related to Internet connectivity?

- A IP
- B TCP
- C Gopher
- D Both 1 and 2
- E None of these

Answer: D

SBI Clerk Free Mock Test (Latest Pattern)

Question 128

Which of the following is related to Internet?

- A WWW
- B CPU
- C RAM
- D Bus
- E Port

Answer: A

Question 129

Which of the following is known as the Brain of Computer?

- A CPU
- B RAM
- C DVD
- D ROM
- E Control Panel

Answer: A

Question 130

Which of the following correctly explains Monitor?

- A Electronic visual display
- B Peripheral
- C Input around the desktop area
- D Pixel based smart area
- E Both 2 and 4

Answer: A

SBI Clerk Previous Papers (Download PDF)

Question 131

PC stands for

- A Personnel Computer
- B Personalised Computer
- C Personal Computer
- D Personnel Computing
- E Personalised Computing

Answer: C

Question 132

Mainframe is related to

- A Computer
- B Super Computer
- C Mini Computer
- D Micro Computer
- E None of these

Answer: B

Question 133

Which of the following is known as the page?

- A Windows Page
- B Start Page
- C Memory page
- D Desktop page
- E Document page

Answer: C

Free Banking Study Material (15,000 Solved Questions)

Question 134

What is Direct Selling?

- A Selling to relationship
- B Selling to retailer
- C Selling to whole seller
- D Consumers away from a fixed retail location
- E All of the above

Answer: D

Question 135

Which type of marketing does not exist for longer period?

- A Publicity
- B Advertising
- C Sales promotion.
- D Public Relations

E All of the above

Answer: C

Question 136

In which part of CPU is arithmetic calculation done?

A ALU

B CU

C Digital Signal Processor

D RISC

E Both 1 and 2

Answer: A

Download Highly Rated Banking APP

Question 137

Which of the following is important for connecting more than one system?

A Wire

B LAN

C Bluetooth

D Wi-Fi

E All of the above

Answer: B

Question 138

In which language is barcode written?

A Binary language

B Machine language

C Computer language

D HTML

E CSS

Answer: B

Question 139

Which of the following is essential for opening a webpage?

A Browser

B Peripherals

- C Fast internet
- D Program
- E Mouse

Answer: A

Question 140

What is the term for any device which is connected to any computer system from outside?

- A Peripheral
- B RAM
- C Memory
- D Bus
- E All of the above

Answer: A

Question 141

The marketing activity of dividing markets up into smaller units with similar needs and characteristics is known as

- A Market penetrating
- B Target Marketing
- C Relationship marketing
- D Marketing segmentation
- E Mass marketing

Answer: D

Question 142

Degree to which a consumer purchases a certain brand without considering alternatives is called

- A Brand equity
- B Brand loyalty
- C Brand positioning
- D Brand identity
- E Brand reality

Answer: B

Free Banking Study Material (15000 Solved Questions)

Question 143

Internal Marketing means

- A Selling to oneself
- B Selling to the employees
- C Selling of samples
- D Selling to foreign markets
- E None of these

Answer: B

Question 144

The marketing mix of organizations that market services include product, price, promotion, place and

- A Packaging
- B Premium
- C People
- D Purchasing
- E None of these

Answer: C

Question 145

Which of the following is/are correct regarding the role of Marketing Executive?

- A He is involved in developing marketing campaigns
- B He is also known as marketing officer
- C He is also known as coordinator
- D Both 2 and 3
- E All of the above

Answer: E

SBI PO Solved Previous Papers (Download PDF)

Question 146

In terms of consumer demand and spending behaviour, marketers are most interested in

- A Wealth
- B Consumer credit
- C Disposable income
- D Pretax income
- E High incomes

Answer: C

Question 147

Which among the following is not a function of marketing channel?

- A Buying
- B Selling
- C Producing
- D Promoting
- E None of these

Answer: C

Question 148

The functions of distribution channel do not include

- A Gathering and providing market information
- B Marketing research
- C Assisting the consumer in understanding and using the goods
- D Promoting the sales of goods
- E None of these

Answer: B

Get Free Study Material & Updates - Whatsapp "Updates" to 7661025557

Question 149

Distribution channels carry out the following functions except

- A Physical distribution
- B Fixing the price
- C Matching the offer
- D Risk taking
- E None of these

Answer: B

Question 150

A direct marketing channel is also called as level channel.

- A First level
- B Second level
- C Third level
- D Zero level

E Fourth level

Answer: D

Question 151

Which of the following activities is a reverse-flow channel of marketing?

A Raw materials movement

B Product recycling

C Materials ordering

D Finished goods storage

E Customer order placement

Answer: B

SBI PO Free Mocks (Latest Pattern)

Question 152

Sales made through which of the following come under Direct Selling?

A One-on-one demonstrations

B Personal contact arrangements

C Internet sales

D Both 1 and 2

E All of these

Answer: E

Question 153

An arrangement in which a supplier grants a dealer the right to sell products in exchange for some type of consideration is

A Licensing

B Retailing

C Franchising

D Wholesaling

E None of these

Answer: C

Question 154

Which distribution channel is represented by Producer/manufacturer > agent > wholesaler > retailer > consumer?

A Direct Selling

B Indirect Selling

- C Dual Distribution
- D Reverse Channel
- E None of these

Answer: B

Download SBI Clerk Syllabus PDF

Question 155

Business format franchising is an example of

- A Dual Distribution
- B Reverse Channel
- C Direct Selling
- D Indirect Selling
- E None of these

Answer: A

Question 156

Breaking down large, homogeneous inventories into smaller lots for wholesalers and retailers is

- A Sorting out
- B Assorting
- C Accumulation
- D Allocation
- E None of these

Answer: D

Question 157

The most advanced supply-distributor arrangements for vertical marketing systems rely on distribution programming.

- A Corporate
- B Administered
- C Contractual
- D Regulatory
- E Controlled

Answer: B

GK Study Material for Banking Exams (Download PDF)

Question 158

Any paid form of non-personal presentation and promotion of ideas, goods or services by an identified sponsor is

- A Public relations and publicity
- B Sales promotion
- C Interactive Marketing
- D Advertising
- E Direct marketing

Answer: D

Question 159

Which of the following is not an Output Device?

- A Plotter
- B Mouse
- C Scanner
- D Printer
- E headphone

Answer: B

Question 160

Concentrated marketing is a strategy opted for

- A Market segmentation
- B Market Research
- C Marketing Mix
- D Both 2 and 3
- E All of these

Answer: A

Explanation:

NUMERICAL ABILITY

SBI Clerk Free Mock Test (Latest Pattern)

English

Instructions

In the following questions, each sentence has two blanks; each blank indicating that something has been omitted. Choose the set of words for the blanks which best fits the meaning of the sentence as a whole.

Question 161

An Analysis of booking data..... by online travel portal has shown 40 per cent of city residentsfor hill stations for weekend breaks.

- A conduct, opted
- B conducted, opt
- C given, opted
- D collected, opted
- E conducted, chose

Answer: B

SBI Clerk Previous Papers (Download PDF)

Question 162

Mobile operators are allowed to..... network infrastructure like cellphone towers, which has..... them reduce cost, but not air waves.

- A sharing, helping
- B shared, helped
- C share, helped
- D collect, help
- E collect, helped

Answer: C

Question 163

I..... a friend named Ankur who..... a horse ranch in the city.

- A have, owns
- B got, sells
- C need, holds
- D possess, runs
- E has, buys

Answer: A

Question 164

Traffic was..... on the expressway on Saturday as local residents..... the road.

- A disturbed, blocked
- B disrupted, blocked
- C blocked, stopped
- D jammed, block
- E disrupting, blockage

Answer: B

Free Banking Study Material (15,000 Solved Questions)

Question 165

The incidentplace when the victim, asked a..... of youths for money.

- A had, group
- B take, group
- C took, group
- D took, herd
- E was taken, group

Answer: C

Instructions

Read each sentence to find out whether there is any grammatical error or idiomatic error in it. The error, if any, will be in one part of the sentence. The number of that part is the answer. If there is 'No error' the answer is e. (Ignore errors of punctuation if any)

Question 166

Earlier this year (a)/ some foreign nationals (b)/ was caught (c)/ bringing in drugs in shoe cavity. (d)/ No Error (e)

- A Earlier this year
- B some foreign nationals
- C was caught
- D bringing in drugs in shoe cavity
- E No Error

Answer: C

Question 167

Our country looks all set to throw open (a)/ its door to foreign investors in infrasturcture, (b)/ as the nation seeks to help (c)/ improved the creaky transportation facility. (d)/ No Error (e)

- A Our country looks all set to throw open
- B its door to foreign investors in infrasturcture
- C as the nation seeks to help
- D improved the creaky transportation facility
- E No Error

Answer: D

Download Highly Rated Banking APP

Question 168

The company holds (a)/ the patent of the technology (b)/ which enable them to extract (c)/ precious metals from e-waste. (d)/ No Error (e)

- A The company holds
- B the patent of the technology
- C which enable them to extract
- D precious metals from e-waste
- E No Error

Answer: C

Question 169

It was strange (a)/ when people started (b)/ congratulate me (c)/ on completion of my dissertation. (d)/ No Error (e)

- A It was strange
- B when people started
- C congratulate me
- D on completion of my dissertation
- E No Error

Answer: C

Question 170

Business confidence is by the upswing (a)/ as companies are betting (b)/ on a turnaround in the economy (c)/ and improvement in the investment. (d)/ No Error (e)

- A Business confidence is by the upswing
- B as companies are betting
- C on a turnaround in the economy
- D and improvement in the investment
- E No Error

Answer: A

Instructions

In the following questions, a sentence/part of the sentence is printed in bold. Below are given alternatives to the bold sentence/part of the sentence at a, b: c: and d: which may improve the sentence. Choose the correct alternative. In case no improvement is needed, your answer is e:

Question 171

Traders and mandi market committees are not threatening by the government's move to override the APMC laws.

- A scared
- B afraid
- C over powered
- D threatened

E No Correction required

Answer: D

Question 172

Indian firms are benefit strongly from the surge in mergers and acquisitions and amid heightened activity thanks to the business optimism generated by new government.

- A benefitting weakly
- B benefitting strongly
- C benefitted weakly
- D feeling strongly
- E No correction required

Answer: B

Question 173

Inspite scoring very high in the examination, Suresh failed to secure admission in the college of his choice.

- A But
- B Despite
- C Even
- D Since
- E No correction required

Answer: B

Free Banking Study Material (15000 Solved Questions)

Question 174

The commerce aircraft manufacturing business is a rarefied zone.

- A commercial
- B trade
- C businesses
- D trading
- E No correction required

Answer: A

Question 175

Signs that the Indian Economy is readying to become research basis are everywhere, and come from both the government and the private sector.

- A became researches basis

- B to become research basis
- C for becoming research basis
- D to become research based.
- E No correction required

Answer: D

Instructions

Rearrange the following six sentences/ group of sentences (A), (B), (C), (D), (E) and (F) in the proper sequence to form a meaningful paragraph; then answer the questions given below them.

- (A) All the labourers and the soldiers turned around and saw a but just a fewsteps away from the palace gate.
- (B) Then suddenly his eyes fell on something and he shouted, "What is that ? I didnot see that before."
- (C) Before inviting the King to see the palace, the minister decided to take a finallook. "Sptended!" the minister exclaimed, looking at the palace.
- (D) Many labourers were put to work and in a few days the palace was ready.
- (E) Once, Veer decided to build a palace on a river bank and ordered hisministers to survey the site and start the construction.
- (F) King Veer was known for his justice and kindness in whose kingdom,everyone was leading a happy and content life and his people loved him and were proud of him.

Question 176

Which of the following sentences should be the **FIRST** sentence after rearrangement ?

- A A
- B B
- C C
- D D
- E F

Answer: E

SBI PO Solved Previous Papers (Download PDF)

Question 177

Which of the following sentences should be the **SECOND** sentence after rearrangement ?

- A A
- B B
- C C
- D D
- E E

Answer: E

Question 178

Which of the following sentences should be the **FOURTH** sentence after rearrangement?

- A A
- B B
- C C
- D D
- E E

Answer: C

Question 179

Which of the following sentences should be the **THIRD** sentence after rearrangement ?

- A A
- B B
- C C
- D D
- E E

Answer: D

Get Free Study Material & Updates - Whatsapp "Updates" to 7661025557

Question 180

Which of the following sentences should be the **LAST** sentence after rearrangement ?

- A A
- B B
- C C
- D D
- E E

Answer: A

Instructions

In the following passage there are blanks, each of which has been numbered. These numbers are printed below the passage, against each,

five words are suggested, one of which fits the blank appropriately. Find out the appropriate word in each case.

The assessment of humanity's (1) in the next 100 years, which has taken 21 months to complete, argues strongly that to achieve long and healthy lives for all 9 billion people (2) to be living in 2050, the twin issues of population and (3) must be pushed to the top of political and economic agenda. Both issues have been largely (4) by politicians and played down by environment and development for 20 years. 'The number of people living on the planet has never been higher, their levels of consumption are (5) and vast changes are taking place in the environment. We (6) choose to rebalance the use of resources (7) a more egalitarian pattern of consumption.... or we can choose to do nothing and to (8) into a downward spiral of economic and environmental ills (9) to a more unequal and inhospitable future. At today's rate of population increase developing countries will have to build the equivalent of a city of a million people every five days from now to 2050, says the report. "Global population growth is (10) for the next few decades. By 2050, it is projected that today's population of 7 billion will have grown by 2.3

billion, the equivalent of new China and an India.”

Question 181

(1)

- A prospective
- B perception
- C prospects
- D aims
- E prospecting

Answer: C

Question 182

(2)

- A expect
- B expecting
- C expectation
- D expected
- E aspirations

Answer: D

SBI PO Free Mocks (Latest Pattern)

Question 183

(3)

- A consumption
- B resumption
- C revamp
- D reconstruction
- E expenditure

Answer: A

Question 184

(4)

- A ignoring
- B ignored
- C cared

D attended

E attention

Answer: B

Question 185

(5)

A unprecedented

B limited

C useful

D surprised

E amazed

Answer: A

[Download SBI Clerk Syllabus PDF](#)

Question 186

(6)

A would have

B should be

C can

D are

E have

Answer: C

Question 187

(7)

A to

B by

C for

D with

E of

Answer: A

Question 188

(8)

A drifted

- B drift
- C flew
- D flowing
- E walk

Answer: B

GK Study Material for Banking Exams (Download PDF)

Question 189

(9)

- A led
- B held
- C leading
- D going
- E doing

Answer: C

Question 190

(10)

- A evitable
- B inevitable
- C inevitably
- D viable
- E dispensable

Answer: B

Instructions

Read the following passage carefully and answer the questions given below it. Certain words/phrases have been printed in bold to help you locate them while answering some of the questions. During the last few years, a lot of hype has been heaped on the BRICS (Brazil, Russia, India, China, and South Africa). With their large populations and rapid growth, these countries, so the argument goes, will soon become some of the largest economies in the world and, in the case of China, the largest of all by as early as 2020. But the BRICS, as well as many other emerging-market economies have recently experienced a sharp economic slowdown. So, is the honeymoon over? Brazil's GDP grew by only 1% last year, and may not grow by more than 2% this year, with its potential growth barely above 3%. Russia's economy may grow by barely 2% this year, with potential growth also at around 3%, despite oil prices being around \$100 a barrel. India had a couple of years of strong growth recently (11.2% in 2010 and 7.7% in 2011) but slowed to 4% in 2012. China's economy grew by 10% a year for the last three decades, but slowed to 7.8% last year and risks a hard landing. And South Africa grew by only 2.5% last year and may not grow faster than 2% this year. Many other previously fast-growing emerging-market economies – for example, Turkey, Argentina, Poland, Hungary, and many in Central and Eastern Europe are experiencing a similar slowdown. So, what is ailing the BRICS and other emerging markets? First, most emerging-market economies were overheating in 2010-2011, with growth above potential and inflation rising and exceeding targets. Many of them thus tightened monetary policy in 2011, with consequences for growth in 2012 that have carried over into this year. Second, the idea that emerging-market economies could fully decouple from economic weakness in advanced economies was **farfetched**: recession in the eurozone, near-recession in the United Kingdom and Japan in 2011-2012, and slow economic growth in the United States were always likely to affect emerging market performance negatively – via trade, financial

links, and investor confidence. For example, the ongoing euro zone downturn has hurt Turkey and emergingmarket economies in Central and Eastern Europe, owing to trade links. Third, most BRICS and a few other emerging markets have moved toward a variant of state capitalism. This implies a slowdown in reforms that increase the private sector's productivity and economic share, together with a greater economic role for state-owned enterprises (and for state-owned banks in the allocation of credit and savings), as well as resource nationalism, trade protectionism, import substitution industrialization policies, and imposition of capital controls. This approach may have worked at earlier stages of development and when the global financial crisis caused private spending to fall; but it is now distorting economic activity and depressing potential growth. Indeed, China's slowdown reflects an economic model that is, as former Premier Wen Jiabao put it, "unstable, unbalanced, uncoordinated, and unsustainable," and that now is adversely affecting growth in emerging Asia and in commodity-exporting emerging markets from Asia to Latin America and Africa. The risk that China will experience a hard landing in the next two years may further hurt many emerging economies. Fourth, the commodity super-cycle that helped Brazil, Russia, South Africa, and many other commodity-exporting emerging markets may be over. Indeed, a boom would be difficult to sustain, given China's slowdown, higher investment in energysaving technologies, less emphasis on capital-and resource-oriented growth models around the world, and the delayed increase in supply that high prices induced. The fifth, and most recent, factor is the US Federal Reserve's signals that it might end its policy of quantitative easing earlier than expected, and its hints of an eventual exit from zero interest rates. Both of which have caused turbulence in emerging economies' financial markets. Even before the Fed's signals, emergingmarket equities and commodities had underperformed this year, owing to China's slowdown. Since then, emerging-market currencies and fixed-income securities (government and corporate bonds) have taken a hit. The era of cheap or zerointerest money that led to a wall of liquidity chasing high yields and assets equities, bonds, currencies, and commodities – in emerging markets is drawing to a close. Finally, while many emerging-market economies tend to run current-account surpluses, a growing number of them – including Turkey, South Africa, Brazil, and India – are running deficits. And these deficits are now being financed in riskier ways: more debt than equity; more short-term debt than longterm debt; more foreign-currency debt than local-currency debt; and more financing from fickle cross-border interbank flows. These countries share other weaknesses as well: excessive fiscal deficits, abovetarget inflation, and stability risk (reflected not only in the recent political turmoil in Brazil and Turkey, but also in South Africa's labour strife and India's political and electoral uncertainties). The need to finance the external deficit and to avoid excessive depreciation (and even higher inflation) calls for raising policy rates or keeping them on hold at high levels. But monetary tightening would weaken already-slow growth. Thus, emerging economies with large twin deficits and other macroeconomic fragilities may experience further downward pressure on their financial markets and growth rates. These factors explain why growth in most BRICS and many other emerging markets has slowed sharply. Some factors are cyclical, but others – state capitalism, the risk of a hard landing in China, the end of the commodity supercycle -are more structural. Thus, many emerging markets' growth rates in the next decade may be lower than in the last – as may the outsize returns that investors realised from these economies' financial assets (currencies, equities, bonds, and commodities). Of course, some of the better-managed emerging-market economies will continue to experience rapid growth and asset outperformance. But many of the BRICS, along with some other emerging economies, may hit a thick wall, with growth and financial markets taking a serious beating.

Question 191

Which of the following statement(s) is/are true as per the given information in the passage ?

- A. Brazil's GDP grew by only 1% last year, and is expected to grow by approximately 2% this year.
- B. China's economy grew by 10% a year for the last three decades but slowed to 7.8% last year.
- C. BRICS is a group of nations – Brazil, Russia, India China and South Africa.

- A Only A
- B Both A and B
- C Both B and C
- D Both A and C
- E All A, B and C

Answer: E

SBI Clerk Free Mock Test (Latest Pattern)

Question 192

Which of the following statements is not true in the context of the given information in the passage ?

- A Russia's economy may grow barely 2% this year, with potential growth also at around 4%.

- The ongoing eurozone downturn has hurt Turkey and emerging-market economies in Central and Eastern Europe, owing to trade links.
- B
- C Most emerging-market economies were over-heating in 2010-11, with growth above potential and inflation rising and exceeding targets.
- D Most BRICS and a few other emerging markets have moved toward a variant of state capitalism.
- E None of these

Answer: A

Question 193

What should be the most appropriate title of the passage in your opinion?

- A Flourishing BRICS and Ailing Emerging Markets
- B Ailing BRICS and other Emerging Markets
- C Slowdown of Global Economy
- D China and World Economy
- E None of these

Answer: B

Question 194

Which of the following is not a factor responsible for economic slowdown in BRICS and other emerging-market economies as cited by the writer of the passage ?

- A Slow economic growth in the United States, recession in the eurozone, near recession in the United Kingdom and Japan in 2011-2012.
- B The commodity super cycle that helped Brazil, Russia, South Africa etc. may be over
- C The US Federal Reserve's signal that it might and its policy of quantitative easing earlier than expected.
- D A growing number of emerging-market economies are running deficits are being financed in riskier ways.
- E Stable, balanced, co-ordinated and sustainable growth

Answer: E

SBI Clerk Previous Papers (Download PDF)

Question 195

The need to finance the external deficit and to avoid excessive depreciation in emerging markets calls for

- A raising policy rates
- B keeping policy rates on hold at high levels
- C Either a: or b:
- D Tightening monetary policy
- E None of them

Answer: C

Instructions

Choose the word/ group of words which is most similar in meaning to the word/ group of words printed in bold as used in the passage.

Question 196

Far-fetched

- A believable
- B unbelievable
- C besieged
- D behighted
- E distant

Answer: B

Question 197

Take a serious beating

- A to be difficult to do
- B to be easy to do
- C a very heavy defeat
- D to be better
- E to take lead

Answer: A

Free Banking Study Material (15,000 Solved Questions)

Question 198

Turbulence

- A sudden changes
- B turf war
- C tumulus
- D confusion
- E turmoil

Answer: A

Instructions

Choose the word/ group of words which is most opposite in meaning to the word/ group of words printed in bold as used in the passage.

Question 199

Fickle

- A unstable
- B stable
- C often changing
- D meagre
- E voluminous

Answer: B

Question 200

Depressing

- A very sad
- B unenthusiastic
- C enthusiastic
- D discouraging
- E hollow

Answer: C

[**Download Highly Rated Banking APP**](#)

[**SBI Clerk Free Mock Test \(Latest Pattern\)**](#)

[**SBI Clerk Previous Papers \(Download PDF\)**](#)

[**Free Banking Study Material \(15,000 Solved Questions\)**](#)

[**Download Highly Rated Banking APP**](#)

[**Free Banking Study Material \(15000 Solved Questions\)**](#)

[**SBI PO Solved Previous Papers \(Download PDF\)**](#)

[**Get Free Study Material & Updates - Whatsapp "Updates" to 7661025557**](#)

[**SBI PO Free Mocks \(Latest Pattern\)**](#)

[**Download SBI Clerk Syllabus PDF**](#)



GK Study Material for Banking Exams (Download PDF)