



**XAT 2014**

All rights reserved. No part of this publication may be reproduced, distributed, or transmitted in any form or by any means, electronic, mechanical, photocopying, recording or otherwise, or stored in any retrieval system of any nature without the permission of cracku.in, application for which shall be made to [support@cracku.in](mailto:support@cracku.in)

# Verbal Ability and Logical Reasoning

## Instructions

Fill in the blanks with the most appropriate option that follows:

### Question 1

The defense proposes to show that the incident that the prosecution so \_\_\_\_\_ rejects as \_\_\_\_\_ did indeed take place.

- A blithely, undesirable
- B cavalierly, apocryphal
- C vehemently, factual
- D persuasively, pointless
- E convincingly, inevitable

Answer: B

**XAT previous papers (download pdf)**

### Question 2

Not just the absence of \_\_\_\_\_, but also the presence of \_\_\_\_\_ and honesty is required to bind up the nation's wound.

- A retribution, camaraderie
- B guilt, religion
- C crime, religion
- D love, austerity
- E recrimination, insight

Answer: E

### Question 3

In many cases in physics, one has to deal simultaneously with collective and single-particle excitations of the system. The collective excitations are usually bosonic in nature while the single-particle excitations are often fermionic. One is therefore led to consider a system which includes bosons and fermions. Hence, \_\_\_\_\_ Which of the following options is most likely to follow the paragraph given above?

- A in this book, we discuss application of bosonic particles and their consequences on physics.
- B in this book, we discuss application of general algebraic theory of mixed Bose- Fermi systems to atomic nuclei.
- C in this book, we discuss excitations of collective and single particles separately.
- D in this book, we prove how collective excitations are bosonic and singular excitation are fermionic.
- E in this book, we prove that collective and singular excitation cannot exist together.

Answer: B

### Explanation:

The blank is preceded by the idea of systems which include both bosons and fermions. Therefore, the following sentence must talk about mixed bosons fermions systems.

Hence, option B is the correct answer.

Question 4

Peter has suggested to me that the \_\_\_\_\_ of highly systematic and \_\_\_\_\_ planning techniques may have led to a substantial \_\_\_\_\_ in firms' notions of what is likely to happen in the future, and thus to a \_\_\_\_\_ in the incidence of mistakes, especially on the part of the \_\_\_\_\_ modern corporations.

- A progressive development, exact, decline, decrease, tiny
- B progress deterioration, exact, increase, decrease, tiny
- C progressive deterioration, precise, improvement, reduction, large
- D progressive deterioration, precise, increase, decrease, large
- E gradual growth, exact, increase, decline, large

Answer: C

## XAT Previous Papers

Question 5

Clinical practitioners \_\_\_\_\_ integrated mindfulness \_\_\_\_\_ treatment of \_\_\_\_\_ host of emotional and behavioural disorders, \_\_\_\_\_ borderline personality disorder, major depression, chronic pain, or eating disorders. Number of such practitioners \_\_\_\_\_ increased substantially.

- A have, in the, a, such as, has
- B have, in the, the, like, have
- C were, for, a, like, has
- D have, for, a, like, has
- E could, in the, the, such as, have

Answer: A

Question 6

Ontologies are \_\_\_\_\_ equated with taxonomic hierarchies of classes, class definitions, and \_\_\_\_\_ subsumption relation, \_\_\_\_\_ ontologies need not be limited to \_\_\_\_\_ forms.

- A often, a, but, such
- B often, the, yet, such
- C frequently, a, yet, such
- D often, a, yet, these
- E often, the, but, these

Answer: E

**Instructions**

For the following questions answer them individually

### Question 7

The MBA (1) is hardly a prerequisite for success, but it (2) certainly helps (3), and it has been getting more important (4) in recent years. Most (5) MBA programs equip their graduates to understand how (6) to deal with many of the important questions that their organizations will need to tackle (7) over time, and (8) that they will face in their careers.

The above italicized numbered words will be correctly represented by the following parts of speech:

- A 1-Noun, 2-Pronoun, 3-Adverb, 4-Adjective, 5-Adjective, 8-Conjunction
- B 1-Noun, 3-Adjective, 4-Adjective, 6-Adverb, 7-Adverb, 8-Article
- C 1-Noun, 2-Pronoun, 4-Adjective, 7-Adverb, 8-Conjunction
- D 2-Pronoun, 3-Verb, 4-Adverb, 6-Adverb, 8-Article
- E 2-Pronoun, 3-Verb, 4-Adjective, 7-Verb, 8-Conjunction

**Answer:** E

#### **Explanation:**

- 1 - Noun
- 2- Pronoun
- 3 - Verb
- 4 - Adjective
- 5 - Adjective
- 6 - Adverb
- 7 - Verb
- 8 - Conjunction

Hence, option E is the correct answer.

## XAT Free Mock Test

### Question 8

Read the following paragraph carefully and answer the question that follows:

It is one week since Uttarakhand's worst disaster in living memory. Flash floods resulting from extremely intense rainfall swept away mountainsides, villages and towns, thousands of people, animals, agriculture fields, irrigation canals, domestic water sources, dams, roads, bridges, and buildings - anything that stood in the way. A week later, media attention remains riveted on the efforts to rescue tens of thousands of pilgrims and tourist visiting the shrines in the uppermost reaches of Uttarakhand's sacred rivers. But the deluge spread far beyond th Char Dhams - Yamunotri, Gangotri, Kedarnath and Badrinath - to cover the entire state. The catchments of many smaller rivers also witnessed flash floods but the media has yet to report on the destruction there. Eyewitness accounts being gathered by official agencies and voluntary organizations have reported devastation from more than 200 villages so far and more affected villages are being reported every day.

Which of the following would the author agree the most with?

- A Char Dhams were most affected by Uttarakhand disaster.
- B Entire catchment of rivers flowing in Uttarakhand was affected.
- C Media attention was on Char Dham but the entire catchment area of rivers flowing in Uttarakhand was affected.
- D Media cannot be trusted as it focuses only on important places and events.
- E Voluntary organizations are better than media in reaching out to the affected people.

**Answer:** C

### Question 9

Which of the following is the correct form of expression for the underlined part of the sentence below?

Patna is not only the capital of Bihar, but it is also one of the oldest cities in the world and the largest city in the state.

- A capital of Bihar, but it is also one of the oldest
- B capital of Bihar, nevertheless also one of the oldest
- C Bihar's capital city, and it is also one of the older
- D Bihar's capital city, but it is also one of the older
- E capital of Bihar, but it is also one of the older.

Answer: A

### Instructions

Read the definitions below and select the best match between the numbered sentences and the definitions.

**Premise:** A proposition from which another statement is inferred or follows a conclusion.

**Assumption:** Something, which is accepted as true. **Facts:** Something, which can be checked.

**Reason:** A cause, explanation or justification for an action or event.

**Conclusion:** An end, finish or summarization of process or argument.

**Proposition:** A statement that expresses judgment or opinion.

**Question:** A sentence worded or expressed so as to elicit opinion.

**Inductive inference:** An end, finish or summarization reached for "the whole", based on "a particular" real incidence.

**Deductive Inference:** An end, finish or summarization reached based on the combining and recombining two or more than two assumptions

### Question 10

When you look at the people who make fundamental, revolutionary breakthrough in any field, you keep noticing over and over and over again a high preponderance of them have some sort of disability when they were younger, whether it was a physical disability or mental disability, which leads to lower expectations from others, whom they always wanted to prove wrong a:. And what does it do b:? What does that do to you, when you try to prove someone wrong c:? You increase your engagement in something because you want to fight against those expectations d:..So it seems like it actually can be a gift having what we label as a disability, or disorder, and cause people to overcompensate and engage in things in other ways e:. A research study shows that higher number of people with dyslexia become social entrepreneurs because they over-compensate their disability through nonverbal communication, initiative and gift (6). And this overcompensation leads to greatness (7).The best match would be:

- A 1-Assumption, 2-Question, 3-Reason, 4-Fact
- B 1-Assumption, 2-Question, 4-Reason, 7-Conclusion
- C 1-Fact, 2-Question, 4-Reason, 6-Reason
- D 1-Fact, 3-Question, 4-Reason, 7-Inductive Inference
- E 3-Question, 4-Reason, 5-Fact, 6-Proposition

Answer: C

**XAT Decision Making Mock Tests**

**Question 11**

The fatal consequences of having a routine mid- day meal for at least twenty two children in Bihar's Saran district expose the chronic neglect of school education in a large part of India a:. The governments cannot find a small piece of land for a school and are unable to store food materials without the risk of contamination is a telling commentary on their commitment to universal primary education b:. The Bihar horror clearly points to the absence of strong normative procedures for the provision of infrastructure, even for a new school c:. The best match would be:

- A 1-Fact, 2-Reason, 3-Deductive Inference
- B 1-Reason, 2-Reason, 3-Inductive Inference
- C 1-Inductive Inference, 2-Fact, 3-Inductive Inference
- D 1-Inductive Inference, 2-Inductive Inference, 3-Inductive Inference,
- E 1-Reason, 2-Reason, 3- Reason

**Answer: D**

**Instructions**

Read the following sentences and choose the option that best arranges them in a logical order.

**Question 12**

**Choose the best option:**

1. The mechanism of electroweak symmetry breaking is one of the most important issues in the present Particle Physics.
2. They are required to give masses for all quarks and leptons and to guarantee the absence of the gauge anomaly.
3. In the standard electroweak model a fundamental Higgs doublet is introduced to cause the spontaneous symmetry breaking.
4. Supersymmetry (SUSY), eliminating all quadratic divergences, may provide a better theoretical basis to describe a fundamental Higgs boson with a relatively small mass to a high energy cutoff scale, say the Planck scale for example.
5. In the minimal SUSY extension of the standards electroweak model the Higgs sector consists of two chiral superfields of Higgs doublets (H1 and H2 with opposite hypercharges).

- A 1, 3, 4, 5, 2
- B 1, 4, 3, 5, 2
- C 3, 4, 2, 5, 1
- D 1, 5, 2, 3, 4
- E 5, 4, 2, 3, 1

**Answer: A**

**Question 13**

**Choose the best option:**

1. Shakespeare did not personally prepare his plays for publication, and no official collection of them appeared until after his death.
2. Some were probably based on actors' memories of plays.
3. Many of these quartos are quite unreliable.
4. A collection of his sonnets, considered by critics to be among the best ever written in English, appeared in 1609.
5. Many individual plays were published during his lifetime in unauthorized editions known as quartos.

- A 1, 2, 3, 5, 4
- B 1, 2, 4, 5, 3
- C 3, 1, 4, 5, 2

D 3, 5, 1, 2, 4

E 1, 4, 5, 3, 2

Answer: E

## Download XAT Syllabus PDF

### Instructions

Analyze the following passage and provide appropriate answers for the questions that follow.

The assumption of rationality puts an economist in a position to “explain” some features of market behavior, such as the dispersion of prices of psychophysically identical goods such as beer according to the amount spent on advertising them (no doubt, the fact that most beer is bought by individuals rather than as raw material by firms, which could be expected to be more rational than individuals, is part of the explanation.) Clearly something is wrong somewhere with the usual model of a competitive market with perfect information, for the virtually content less advertising cannot be considered as increasing the utility of beer in an obvious way. But if one can keep the assumption of rational actors, one need not get into the intellectual swamp of sentiment nor of preferences that depend on price. If one agrees, for example, that consumers use advertising as an index of the effort a producer will put into protecting its reputation and so as a predictor of quality control efforts, one can combine it with the standard mechanism and derive testable consequences from it.

But why, logically speaking, does it not matter that any of us, with a few years’ training, could disprove the assumptions? It is for the same reason that the statistical mechanics of gases is not undermined when Rutherford teaches a lot of only moderately bright physicists to use X-ray diffraction to disprove the assumption that molecules are little hard elastic balls. The point is, departures that Rutherford teaches us to find from the mechanism built into statistical mechanics are small and hardly ever systematic at level of gases. Ignorance and error about the quality of beer is also, unlikely to be systematic at the level of the consumers’ beer market, though it would become systematic if buyers imposed quality control procedures on sellers in contracts of sale (as corporations very often do in their contracts with suppliers). So when we find beers that advertising can make the ignorance and error systematic at the level of markets, just as lasers with wavelengths resonant with the internal structures and sizes of molecules can make molecular motions in gases systematic. The interesting one is that virtually content-less advertising is nevertheless information to a rational actor.

### Question 14

Which of the following statements would be the closest to the arguments in the passage?

- A Individuals are more rational than firms.
- B Firms are rational.
- C Firms are more rational than individuals
- D Firms are, most of the times, more rational than individuals.
- E Market behavior of psychophysical goods would be the same as that of physical goods.

Answer: D

### Question 15

Why has the author referred to Rutherford in the passage?

- A To prove that molecules are elastic.
- B To highlight that we should not compare apples and oranges.
- C To hint that only very good students Physics taught by Rutherford.
- D To equate beer with little hard elastic balls.
- E To state that Mechanics is more amenable to application of statistics than gasses.

Answer: B

**Question 16**

Which of the following, as per author, are psychophysical goods?

1. Concrete
2. Car
3. Mobile Phone

- A 1 and 2
- B 2 and 3
- C 1 and 3
- D 1, 2 and 3
- E None of these

**Answer: E**

## XAT Preparation Tips

**Instructions**

Analyze the following passage and provide appreciate answers for the questions that follow.

Ideas involving the theory probability play a decisive part in modern physics. Yet we will still lack a satisfactory, consistence definition of probability; or, what amounts to much the same, we still lack a satisfactory axiomatic system for the calculus of probability. The relations between probability and experience are also still in need of clarification. In investigating this problem we shall discover what will at first seem an almost insuperable objection to my methodological views. For although probability statements play such a vitally important role in empirical science, they turn out to be in principle impervious to strict falsification. Yet this very stumbling block will become a touchstone upon which to test my theory, in order to find out what it is worth. Thus, we are confronted with two tasks. The first is to provide new foundations for the calculus of probability. This I shall try to do by developing the theory of probability as a frequency theory, along the lines followed by Richard von Mises, But without the use of what he calls the 'axiom of convergence' (or 'limit axiom') and with a somewhat weakened 'axiom of randomness' The second task is to elucidate the relations between probability and experience. This means solving what I call the problem of decidability statements. My hope is that the investigations will help to relieve the present unsatisfactory situation in which physicists make much use of probabilities without being able to say, consistently, what they mean by 'probability'.

**Question 17**

The statement, "The relations between probability and experience are still in need of clarification" implies that:

- A Probability of an event can always be checked with experience.
- B Probability of an event can only be gauged historically.
- C Probability is mathematical while experience is real.
- D Probability statements can become difficult to disprove without experience.
- E Probability is futuristic.

**Answer: D**

**Question 18**

Author has talked about the two tasks in the above passage. Choose the best option from the following statements relevant to the tasks.

- A The first task is sufficient to become the touchstone for the author to test his theory.
- B The second task is sufficient to become the touchstone for the author to test his theory.



- C Either of the tasks is sufficient for the author to test his theory.
- D None of the tasks is sufficient for the author to test his theory.
- E Both the tasks would be important for the author to test his theory.

Answer: E

#### Question 19

Which one of the following statements can be inferred from the passage?

- A Physics is the only subject than borrows form the theory
- B Physics is the only subject where the theory of probability is inaccurately applied.
- C The theory of probability may be inaccurately applied in other subjects.
- D Physics is highly mathematical.
- E Experience relates to physical objects only.

Answer: D

## Important Formulas for XAT Download PDF

#### Instructions

Analyze the following passage and provide appropriate answers for the questions that follow.

The ways by which you may get money almost exception lead downwards. To have done anything by which you earned money merely is to have been truly idle or worse. If the laborer gets no more than the wages which his employer pays him, he is cheated, he cheats himself. If you would get money as a writer or lecturer, you must be popular, which is to go down perpendicularly. Those services which the community will most readily pay for, it is most disagreeable to render. You are paid for being something less than a man. The State does not commonly reward a genius any more wisely. Even the poet laureate would rather not have to celebrate the accidents of royalty. He must be bribed with a pipe of wine; and perhaps another poet is called away from his muse to gauge that very pipe. The aim of the laborer should be, not to get his living, to get "a good job." but to perform well a certain work; and even in a pecuniary sense, it would be economy for a town to pay its laborers so well that they would not feel that they were working for low ends, for a livelihood merely, but for scientific, or even moral ends. Do not hire a man who does your work for money, but him who does it for love of it.

The community has no bribe that will tempt a wise man. You may raise money enough to tunnel a mountain, but you cannot raise money enough to hire a man who is minding his own business. An efficient and valuable man does what he can, whether the community pays him for it or not. The inefficient offer their inefficiency to the highest bidder, and are forever expecting to be put into office. One would suppose that they were rarely disappointed. God gave the righteous man a certificate entitling him to food and raiment, but the unrighteous man found a facsimile of the same in God's coffers, and appropriated it, and obtained food and raiment like the former. It is one of the most extensive systems of counterfeiting that the world has seen. I did not know that mankind was suffering for want of gold. I have seen a little of it. I know that it is very malleable, but not so malleable as wit. A grain of gold will gild a great surface, but not so much as a grain of wisdom.

#### Question 20

Which of the following would the author disagree most with?

- A Setting up a factory in a rural area
- B Advertising for tooth paste
- C Studying in a business school
- D Betting in a casino
- E Working for an investment bank

Answer: D

**Question 21**

Which of the following could be a good title for the above passage?

- A Money and Work
- B God Rush
- C Work is Worship
- D In Search for God
- E God is Gold

Answer: A

**Question 22**

The author of the passage went on to say: "We are provincial, because we do not find at home our standards; because we do not worship truth, but the reflection of truth; because we are warped and narrowed by an exclusive devotion to trade and commerce and manufactures and agriculture and the like, which are but means, and not the end."

Which of the following, as per author, could have been the end (last words in the lines above)?

- A Economic growth of society
- B Realization of self
- C Happy family life
- D Strong and powerful nation
- E Distribution of wealth

Answer: B

**Download XAT GK PDF**

**Instructions**

I heartily accept the motto, "That government is best which governs least", and I should like to see it acted up to more rapidly and systematically. Carried out, it finally amounts to this, which also I believe—"That government is best which governs not at all"; and when men are prepared for it, that will be the kind of governments which they will have. Government is at best but an expedient; but most governments are usually, and all governments are sometimes, inexpedient. The objection which have been brought against a standing army, and they are many and weighty, and deserve to prevail, may also at last be brought against a standing government. The standing army is only an arm of the standing government. The government itself, which is only the mode which the people have chosen to execute their will, is equally liable to be abused and perverted before the people can act through it.

After all, the practical reason why, when the power is once in the hands of the people, a majority are permitted, and for a long period continue, to rule is not because they are most likely to be in the right, nor because this seems fairest to the minority, but because they are physically the strongest. But a government in which the majority rules in all cases cannot be based on justice, even as far as men understand it. Can there not be a government in which the majorities do not virtually decide right and wrong, but conscience? -- in which majorities decide only those questions to which the rule of expediency is applicable? Must the citizen ever for a moment or in the least degree, resign his conscience to the legislator? Why has every man a conscience then? I think that we should be men first, and subjects afterward. It is not desirable to cultivate a respect for the law, so much as for the right. The only obligation which I have a right to assume is to do at any time what I think right. It is truly enough said that a corporation has no conscience; but a corporation of conscientious men is a corporation with a conscience. Law never made men a whit more just; and, by means of their respect for it, even the well-disposed are daily made the agents of injustice.

**Question 23**

According to the author of the paragraph, army is \_\_\_\_\_ ?

- A required
- B fallible
- C must
- D necessary evil
- E not required

**Answer: E**

**Question 24**

In general, when would government of majority be good for minorities?

- A when it is fair.
- B when it is right.
- C when it abides by the law.
- D when it is conscientious.
- E such a government cannot exist.

**Answer: D**

**Question 25**

Which of the following statements would the author agree the most with?

- A Men are bigger than the governments.
- B Business houses are best for the growth of a society.
- C Governments and armies are not required.
- D Concept of nations is redundant.
- E Democracy is best for citizens.

**Answer: A**

## Download XAT Current Affairs Questions & Answers PDF

**Instructions**

Analyze the following passage and provide appropriate answers for the questions that follow.

Either explicitly or implicitly, our informants suggest that the objects that transfix them are hoped to be conduits to, rather than surrogates for, love, respect, recognition, status, security, escape, or attractiveness. These are the social relations we desire, consciously or subconsciously, beneath the objects that we find so compelling. The value of the objects that we focus our longing upon inheres less in the object or in a Lacanian search for childhood love than in the culture. The hope for the hope that an altered state of being may result keeps the cycle of desire moving. Desires are nurtured by self-embellished fantasies of a wholly different self, and they may be stimulated by external sources, including advertising, retail displays, films, television programs, stories told by other people, and the consumption behavior of real or imaginary others. But we find that the person who feels strong desire has almost always actively stimulated this desire by attending, seeking out, entertaining, and embellishing such images. The desires that occupy us are vivid and

riveting fantasies that we participate in nurturing, growing, and pursuing, through self-seduction.

The social nature of desire implies that preferences of consumers are far from being independent. Yet, choice models assume that preferences of consumers act as individuals. The mimetic aspect of desire creates difficulties for using individual attitude or intention measures to predict adoption of new products whose use will be visible. The notion of desire we have derived suggests that the appeal of the desired object is not inherent in the object itself. Models that begin with preferences for product attributes or benefits are therefore problematic. The consumer, individually and jointly, has a role in constructing the object of desire, within a social context. What makes consumer desire attach to a particular object is not so much the object's particular characteristics as the consumer's own hopes for an altered state of being, involving an altered set of social relationships.

#### Question 26

Consider the statement given below as true:

**"The failure of men to transition from being shoppers and consumers to producers and creators has implications about their manliness."**

Which of the following statements would concur with the above idea and the theme of the main paragraph?

- A Manliness is no longer socially desirable.
- B Boys will be boys and will always consume more.
- C Men will be men and will always create and produce.
- D Products that fulfil the desire will sell more.
- E Consumers would like to buy more do-it-yourself kits.

Answer: E

#### Explanation:

The paragraph states that the man wants to portray himself better than what he actually is. Option E is in accordance with this.

Hence, option E is the correct answer.

#### Question 27

Consider the statement given below as true:

**"Men use the plasticity of consumer identity construction to forge atavistic masculine identities based upon an imagined life of self-reliant, pre-modern men who lived outside the confines of cities, families, and work bureaucracies."**

Which of the following statements would concur with the above idea and the theme of the main paragraph?

- A Pre-modern man was anti-social.
- B Products that fulfil the desire of anti-social behaviour will sell more.
- C Modern men are always anti-social.
- D Consumer will satisfy their desire of masculine identity through socially visible consumption.
- E Men will fulfil their desires for maintaining their identity.

Answer: D

#### Question 28

Consider the statement given below as true:

**"By appropriating fashion discourse, consumers generate personalized fashion narratives and metaphoric and metonymic references that negotiate key existential tensions and that often express resistance to dominant fashion norms in their social milieu or consumer culture at large."**

Which of the following statements would concur with the above idea and the theme of the main paragraph?

- A Females in human society are creating personalized fashion narratives.

- B It is socially desirable to resist all dominant norms.
- C Feminists consider it socially desirable to resist dominant fashion norms that typify females in human society.
- D Consumers often resist dominant fashion norms.
- E Attractiveness increases if one is unique.

Answer: D

## XAT Daily Current Affairs

### Decision Making

#### Instructions

Answer questions based on information that is provided.

#### Question 29

The main issues of interpretation arising from the work of professionally trained anthropologists are that they are late in colonial/post-colonial trajectories, because professional training shapes their interpretations. However, within field of interest and training, their works are most thorough and systematic

The best conclusion drawn from the above paragraph is analogous to:

- A Heisenberg uncertainty principle, which states that speed and position cannot be determined simultaneously.
- B Cultural relativism, which states that two or more than two cultures cannot be compared.
- C Personal relativism, which states that one should not study anthropological phenomenon for personal gains.
- D Conclusive relativism, which states that anthropologists should not knowingly color their findings.
- E Communicative relativism, which states that anthropologists should not be selective in communicating their findings.

Answer: A

## XAT previous papers (download pdf)

#### Question 30

Consider merit pay for teachers. Schools face constant pressure to change their management approaches to improve performance, which is usually assessed by standardized reading, math, and science scores. In most school teacher's pay is determined by seniority, years of total teaching experience, and credentials. Pay is rarely based on performance, which is contrary to the belief among parents and private sector. Parents and business leaders lament that there are no carrots/sticks used to motivate teachers. Consequently, there has been greater push to implement some form of merit pay to improve the motivation. Which of the following statements will disapprove the claim of the parents and business leaders?

- A A recent study suggested that teachers are self-motivated.
- B Teachers are largely motivated, by financial incentives; so pay for performance will induce greater and more effective effort.
- C Learning cannot be measured reliably and accurately by a test given once a year.
- D Teaching is a solo-activity, there is a little interdependence with other co-curricular and extra-curricular activities in the school.
- E To err is human. And hence stick should be used to reduce errors.

Answer: A

**Question 31**

Read the following newspaper report: In a new study by Harvard School of Public Health (HSPH), researchers explored how caffeine can serve as a "mild anti-depressant". They concluded that "drinking several cups of coffee daily appears to reduce the risk of suicide". Data pulled in from three large studies in the US showed that the suicide risk of those who drank two to four cups of caffeinated coffee a day was about half of those who drank decaffeinated coffee or very little or no coffee. In the studies, a respondent's caffeine consumption was assessed every four years through a questionnaire. The respondents were all adults, and the study was published online. The authors, however, cautioned the public from increasing coffee intake as it could result in "unpleasant side effects". "Overall, our results suggest that there is little further benefit for consumption above two to three cups/day or 400 mg of caffeine/day," wrote the researchers. The authors observed that there was no major difference in suicide risk for adults who drank two to three cups a day from those who drank four cups or more.

Which of the following shaped graph would best capture the above paragraph(x-axis represents "coffee intake" and "Y-axis represents "suicidal tendency")?

- A A straight line
- B Saw tooth curve
- C S shaped curve
- D U shaped curve
- E L shaped curve

**Answer: E**

**Question 32**

A group of nine runners will finish the 400 meters race in a certain order. The runners are: Ashok, Benjamin, Chetan, Divya, Eshant, Girish, Himani, and Irravaty. They all finish at different times, and their finishing order is as follow:

1. Faneesh finishes before Ashok
2. Divya finishes before Benjamin and Eshant
3. Irravaty finishes after Chetan
4. Girish finishes after Ashok

Which is the best position Girish can finish?

- A First
- B Second
- C Third
- D Fourth
- E Fifth

**Answer: C**

**Explanation:**

Girish finishes after Ashok who finishes after Faneesh. No information about anybody else finishing before Girish can be deduced from the given clues. So, the best position at which Girish can finish the race is third.

Hence, option C is the correct answer.

**XAT Previous Papers**

**Instructions**

Read the following case – let and answer the that follow

Ms. Banerjee, class teacher for 12th standard, wants to send teams (based on past performance) of three students each to district, state, national, and international competition in mathematics. Till now, every student of the class has appeared in 100 school level tests. The students had following distribution of marks in the tests, in terms of "average" and "number of times a student scored cent per cent marks".

Student	Average	Number of times a student scores cent per cent
1	70	7
2	60	15
3	65	8
4	70	1
5	65	6
6	65	10
7	65	4
8	60	12
9	65	3
10	60	8
11	70	1
12	65	6
13	70	2
14	60	20
15	65	5

Ms. Banerjee has carefully studied chances of her school winning each of the competitions. Based on in - depth calculations, she realized that her school is quite likely to win district level competition but has low chances of winning the international competition. She listed down the following probabilities of wins for different competitions. Prize was highest for international competition and lowest for district level competition (in that order).

Competition	Probability of win
District	0.95
State	0.6
National	0.1
International	0.05

All the students are studying in the school for last twelve years. She wanted to select the best team for all four competitions (Ms. Banerjee had no other information to select students).

### Question 33

Which of three members should form the team for the International competition?

- A 4, 11, 14
- B 2, 8, 14
- C 1, 6, 12
- D 13, 14, 15
- E 1, 3, 4

**Answer: B**

### Explanation:

The probability of winning an international competition is the lowest. So, most consistent scorers must be chosen who have scored the highest most number of times. Thus, 2, 8 and 14 is an appropriate choice. Hence, option B is the correct answer.

**Question 34**

Which of the following members should constitute the team for the district level competition?

- A 4, 11, 14
- B 1, 4, 11
- C 4, 5, 6
- D 4, 11, 13
- E Any team can win the competition

**Answer: D**

**Explanation:**

Since the probability of winning is highest at the district level, the students who have the highest average and scored 100 least number of times must be selected. So, she must select 4, 11 and 13. Hence, option D is the correct answer.

**Question 35**

Ms. Banerjee has to select the team for national competition after she has selected the team for international competition. A student selected for international competition cannot be a part of national competition. Which is the best team for the national competition?

- A 1,7,4
- B 8,9,10
- C 2,8,14
- D 3,6,1
- E Any of remaining students, as it would not matter

**Answer: D**

**Explanation:**

EndGroup:

## XAT Free Mock Test

**Instructions**

Read the following case - let and answer the question that follow

Krishna Reddy was the head of a pharmaceutical company that was trying to develop a new product. Reddy, along with his friend Prabhakar Rao, assessed that such products had mixed success. Reddy and Rao realized that if a new product (a drug) was a success, it may result in sales of 100 crores but if it is unsuccessful, the sales may be only 20 crores. They further assessed that a new drug was likely to be successful 50% of times. Cost of launching the new drug was likely to be 50 crores.

**Question 36**

How much profit can the company expect to earn if it launches the new drug(suppose there are no additional costs)?

- A 12 crores
- B 10 crores



- C 10.5 crores
- D 11 crores
- E 11.5 crores

**Answer: B**

**Explanation:**

The total cost incurred = 50 Cr

The earning =  $100 \times \frac{1}{2} + 20 \times \frac{1}{2} = 60$  Cr.

Hence the net profit = 10 Cr.

**Question 37**

Now, Reddy and Rao were in a quandary whether the company should go ahead and market the drug. They contacted Raj Adduri, a common friend for advice. Adduri was of the opinion that given the risky nature of the launch, it may be a better idea to test the market. Rao and Reddy realized test marketing would cost 10 crores. Adduri told them the previous test marketing results have been favourable 70% of times and success rate of products favourably tested was 80%. Further, when test marketing results were unfavourable; the products have been successful 30% of the times.

How much profit can the company expect to make if the product is launched after favourable test marketing results (assume there are no additional costs)?

- A 11.5 crores
- B 10 crores
- C 8.5 crores
- D 13.8 crores
- E 24 crores

**Answer: E**

**Explanation:**

Total Cost = 50 + 10 = 60 Cr

Chances of success after favorable results = 80%

Expected return =  $100 \times 0.8 + 20 \times 0.2 = 84$  Cr

Expected profit = 84 - 60 = 24 Cr

**Question 38**

Now, Reddy and Rao were in a quandary whether the company should go ahead and market the drug. They contacted Raj Adduri, a common friend for advice. Adduri was of the opinion that given the risky nature of launch, it may be a better idea to test the market. Rao and Reddy realized test marketing would cost 10 crores. Adduri told them the previous test marketing results have been favorable 70% of times and success rate of products favorably tested was 80%. Further, when test marketing results were unfavorable; the products have been successful 30% of the times.

What is the probability of product failure if Reddy and Rao decide to test market it?

- A 0.21
- B 0.35
- C 0.14
- D 0.28

E Cannot be computed

Answer: B

**Explanation:**

Results have been favourable 70% of times and success rate of products favourably tested was 80%.

Further, when test marketing results were unfavourable i.e. 30 %; the products have been successful 30% of the times.

The probability of product failure if Reddy and Rao decide to test market it=  $\frac{7}{10} \times \frac{2}{10} + \frac{3}{10} \times \frac{7}{10} = \frac{35}{100}$   
=0.35

## XAT Decision Making Mock Tests

### Question 39

Now, Reddy and Rao were in a quandary whether the company should go ahead and market the drug. They contacted Raj Adduri, a common friend for advice. Adduri was of the opinion that given the risky nature of launch, it may be a better idea to test the market. Rao and Reddy realized test marketing would cost 10 crores. Adduri told them the previous test marketing results have been favorable 70% of times and success rate of products favorably tested was 80%. Further, when test marketing results were unfavorable; the products have been successful 30% of the times.

If Rao and Reddy decide to launch the product despite unfavourable test marketing, how much profit can the company expect to earn?

- A 13.2 crores
- B -36.8 crores
- C -46.8 crores
- D -16 crores
- E 10 crores

Answer: D

**Explanation:**

After testing the market the total cost incurred=  $50+10=60$ Cr.

The product will be a success 30% of times after the marketing test is unfavourable. So the probability of success is 0.3.

The probability of failure= 0.7.

The expected return is =  $20 \times 0.7 + 100 \times 0.3 = 44$ Cr.

Total profit=  $44-60$  Cr=-16Cr.

**Instructions**

Please read the three reports (newspaper articles) on ranking of different players and products in smart phones industry and answer the questions that follow.

Report 1: (Feb, 2013)

**Apple nabs crown as current top US mobile phone vendor**

Apple's reign may not be long, as Samsung is poised to overtake Apple in April, 2013. For the first time since Apple entered the mobile phone market in 2007, it has been ranked the top mobile phone vendor in the US. For the latter quarter of 2012, sales of its iPhone accounted for 34 percent of all mobile phone sales in the US - including feature phones - according to the latest data from Strategy Analytics.

While the iPhone has consistently been ranked the top smartphone sold in the US, market research firm NPD noted that feature phone sales have fallen off a cliff recently, to the point where 8 out of every 10 mobile phones sold in the US are now smartphones. That ratio is up considerably from the end of 2011, when smartphones had just cracked the 50 percent mark. Given this fact it's no surprise that Apple, which only sells smartphones, has been able to reach the top of the overall mobile phone market domestically. For the fourth

quarter of 2012, Apple ranked number one with 34 percent of the US mobile market, up from 25.6 percent year over year. Samsung grew similarly, up to 32.3 percent from 26.9 percent - but not enough to keep from slipping to second place. LG dropped to 9 percent from 13.7 percent, holding its third place spot. It should be noted that Samsung and LG both sell a variety of feature phones in addition to smartphones. Looking only at smartphones, the ranking is a little different according to NPD. Apple holds the top spot with 39 percent of the US smartphone market, while Samsung again sits at number two with 30 percent. Motorola manages to rank third with 7 percent, while HTC dropped to fourth with 6 percent. In the US smartphone market, LG is fifth with 6 percent. Note how the percentages aren't all that different from overall mobile phone market share - for all intents and purposes, the smartphone market is the mobile phone market in the US going forward. Still, Samsung was the top mobile phone vendor overall for 2012, and Strategy Analytics expects Samsung to be back on top soon. "Samsung had been the number one mobile phone vendor in the US since 2008, and it will surely be keen to recapture that title in 2013 by launching improved new models such as the rumored Galaxy S4". And while Apple is the top vendor overall among smartphones, its iOS platform is still second to the Android platform overall. Samsung is the largest vendor selling Android-based smartphones, but Motorola, HTC, LG, and others also sell Android devices, giving the platform a clear advantage over iOS both domestically and globally.

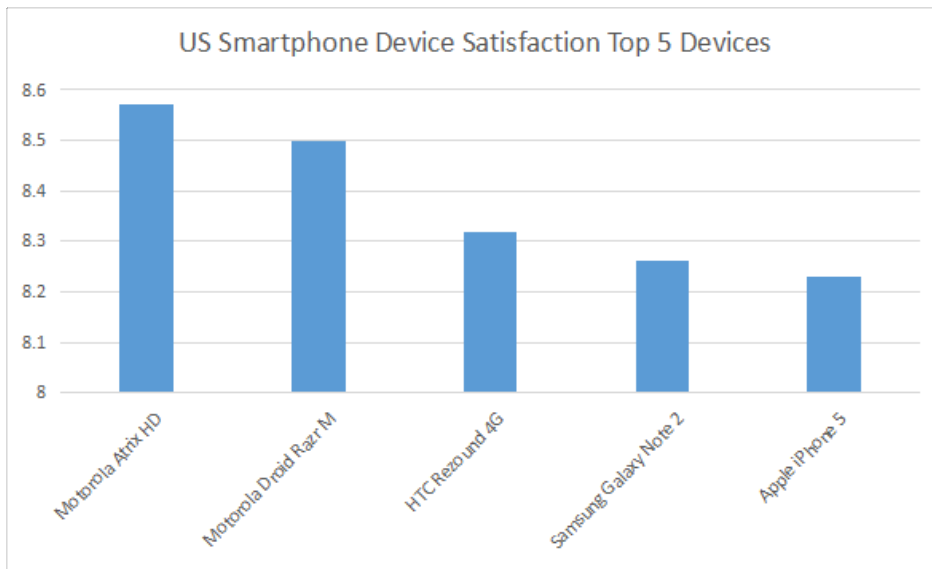
### Report 2: Reader's Response (2013, Feb)

I don't actually believe the numbers for Samsung. Ever since the debacle in early 2011, when Lenovo called into question the numbers Samsung was touting for tablet shipments, stating that Samsung had only sold 20,000 of the 1.5 million tablets they shipped into the US the last quarter of 2010, Samsung (who had no response to Lenovo) has refused to supply quarterly sales numbers for smartphones or tablets. That's an indication that their sales aren't what analysts are saying. We can look to several things to help understand why. In the lawsuit between Apple and Samsung here last year, both were required to supply real sales numbers for devices under contention. The phones listed turned out to have sales between one third and one half of what had been guessed by IDC and others. Tablet sales were even worse. Of the 1.5 million tablets supposedly shipped to the US during that time, only 38,000 were sold. Then we have the usage numbers. Samsung tablets have only a 1.5% usage rate, where the iPad has over 90%. Not as much a difference with the phones but it's still overwhelmingly in favor of iPhone. The problem is that with Apple's sales, we have actual numbers to go by. The companies who estimate can calibrate what they do after those numbers come out. But with Samsung and many others, they can't ever calibrate their methods, as there are no confirming numbers released from the firms. A few quarters ago, as a result, we saw iSupply estimate Samsung's smartphone sales for the quarter at 32 million, with estimates from others all over the place up to 50 million. Each time some other company reported a higher number for that same quarter, the press dutifully used that higher number as THE ONE. But none of them was the one. Without accurate self-reporting of actual sales to the end users, none of these market share charts are worth a damn!

### Report 3: Contradictory survey (Feb, 2013)

iPhone5 Ranks Fifth In U.S. Customer Satisfaction Survey inShare. The iPhone5 ranks fifth in customer satisfaction according to the results of a recent survey from OnDevice Research, a mobile device research group. In the poll, they asked 320,000 smartphone and tablet users from six different countries, how satisfied they were with their devices. According to 93,825 people from the US, Motorola Atrix HD is the most satisfying and Motorola's Droid Razr took second spot. HTC Corp (TPE : 2498)'s Rezound 4G and Samsung Galaxy Note 2 took third and fourth spots, while Apple's iPhone5 landed in fifth spot. It appears that Apple may be lagging in consumer interest. OnDevice Research, Sarah Quinn explained, "Although Apple created one of the most revolutionary devices of the past decade, other manufactures have caught up, with some Android powered devices now commanding higher levels of user satisfaction." Despite the lower rankings, things aren't looking too bad for Apple Inc. (NASDAQ:AAPL) elsewhere. In the United Kingdom, they ranked second place, right after HTC One X. Interesting enough, Apple did take top spot for overall satisfaction of mobile device, whereas Google Inc. (NASDAQ:GOOG) ranked second. Motorola Mobility Holdings Inc. (NYSE:NOK) took third, fourth, and fifth places respectively, while Sony Ericsson trailed behind at sixth place. The survey sampled mobile device users in the following countries: United States, United Kingdom, France, Germany, Japan, and Indonesia. Although OnDevice didn't share the full list of devices mentioned in the survey, it does show some insight to what customers want. Unfortunately, there were still many questions regarding the survey that were left unanswered. Everyone wants to know why Google Inc. (NASDAQ:GOOG) was on the list when they are not an actual smartphone maker and why was Samsung Electronics Co., Ltd. (LON:BC94) on the bottom of the satisfaction list when the brand is leading elsewhere.





**Source: 92.825 US mobile users, July 2012 - January 2013**

Fortunately, those questions were answered by OnDevice Research's representative. He explained that the survey was conducted on mobile web where the survey software could detect the taker's device and since user's rate their satisfaction levels on a 1 to 10 scale, thanks to the Nexus device, Google was included.

**Question 40**

If you analyze the three reports above, which of the following statements would be the best inference?

- A Newspapers publish completely wrong data.
- B All three reports have been bought by the companies.
- C Newspapers may report selectively.
- D Apple is leading but its dominance in Korean market is definitely under threat.
- E Customer's response, in report 2, is neutral and objective.

**Answer: C**

**Question 41**

Assume report1 and report3 are both correct, which of the following can be a reason for seemingly divergent ranks of different companies and their products?

- A iPhone4, another product from Apple, could have been the best seller in the U.S.
- B HTC-One was the most preferred device in Japan.
- C OnDevice included Google in the list because it is an important player in Android market.
- D Customer satisfaction never leads to higher customer loyalty.
- E None of the above.

**Answer: A**

**Download XAT Syllabus PDF**

**Question 42**

If report1 and report3 are both correct, which of the following can be a reason for seemingly divergent ranks reported for different companies and their products?

- A OnDevice has been paid by Motorola to publish.
- B Customers in France, in report3, have voted Samsung as the favorite company.
- C Customers in Japan, in report3, have voted Samsung as the favorite company.
- D Sales and satisfaction may not be perfectly related with each other.
- E None of the above.

**Answer: D**

**Question 43**

**Which of the following is more likely to be a correct conclusion about the respondent/reader in report2?**

- A The reader is an Apple user.
- B If the reader is an Apple user, his usage rate is higher.
- C The reader is a frequent user of HTC One.
- D The reader does not like Android platform.
- E The reader wants more objective data to be released by the companies.

**Answer: E**

**Instructions**

Read the following case-let and choose the best alternative for the questions that follow.

Ajay was thinking deeply about a problem that his organization, a business consulting company, faced. Globalization had affected his company like many other companies. Despite the downturn, the current revenues remained healthy. However, Ajay knew it was inevitable that the company could not do business the same way. The complexity of managing the business had increased with time. Consultants were under pressure to deliver good and innovative solutions. The organization had consultants from different age groups having a good mix of domain and industry expertise. It was a flat organization with three levels. The biggest challenge for Ajay was to have consultants with latest knowledge who would also earn revenues. Getting additional business was a challenge as all the consultants were busy and it was very difficult to hire new consultants.

**Question 44**

**Some of the consultants were adept at applying old solutions to new problems. Ajay was not very sure if this would work for long. Some of the clients had complained about the performance of old and reputed consultants. Ajay was mulling over the following five solutions to tackle this problem.**

1. Decrease time spent on client interaction and increase time spent for generating solutions.
2. Increase support staff to help consultants to remain updated.
3. Decrease the number of simultaneous projects handled by consultants.
4. Make it compulsory for consultants to work on inter-industry and inter-domain problems.
5. Recruit more consultants.

**Which of the following would be the best sequence of decisions taken by Ajay (starting from immediate to distant)?**

- A 3, 2, 1, 5, 4
- B 4, 3, 2, 1, 5
- C 5, 4, 3, 2, 1
- D 2, 4, 5, 1, 3
- E 1, 5, 4, 3, 2

**Answer: B**

## XAT Preparation Tips

### Question 45

After Ajay implemented some of the steps mentioned above, consultants wanted to renegotiate their contract with the organization. It seems that the organization had never mentioned that consultants have to work across industries and domains. Some of the old consultants were reluctant to change their ways, while many of the younger consultants were willing to follow Ajay's advice. Which of the following decision can be taken by Ajay to handle this situation?

- A Retrench old consultants and recruit young consultants.
- B Pressurize non-conformists by giving preferential treatment to the conformists.
- C Negotiate with the old consultants and communicate that the new rules would apply to the new consultants only.
- D Do nothing and wait for a right solution to emerge, as with time resistance would die down.
- E Discuss the issue in an open house and let solutions emerge democratically.

Answer: E

### Question 46

Ajay was to retire in five years and he wanted to leave behind a legacy. Order the following activities, from the most important to the least important, that Ajay should undertake in next five year:

1. Do nothing.
2. Set a future direction for the organization in these challenging times.
3. Benchmark performance with respect to the best consulting company in industry.
4. Empower senior consultants and at the same time seek opinion of all others for handling future challenges.
5. Infuse fresh thinking by hiring outsiders.

Choose the best option from the following sequences

- A 1, 2, 3, 4
- B 2, 3, 4, 5
- C 3, 4, 2, 1
- D 2, 5, 3, 1
- E 2, 5, 4, 3

Answer: B

### Instructions

Read the following case – let and answer the questions that follow

Intercontinental Business Manufacturing (IBM) was doing a roaring business. Demand of the products was high and supply of raw – material was abundant. IBM was manufacturing three different products Some customers bought two types of products and some bought only one. The three products were “quickie – quick”, “run – of – the – mill”, and “maxi – max”. Customers were not complaining loudly. Ram, the product manager, was confused! Demand for “quickie – quick “was increasing .Raw material suppliers wanted to supply lower quality at cheaper price. It was profitable for the company to increase production .Quality department was not happy with the product. Ram met Rahim, the CEO, who, as always, wanted higher profits. He said that IBM will set up a committee for improving the quality.

### Question 47

What must not be done by Ram?

- A Only produce "quickie - quick" as it gives highest profits.
- B Increase the production for "quickie - quick" and ask the supplier for better quality raw material.
- C Maintain the level of production for "quickie - quick" and ask the supplier for better quality raw material.
- D Reduce the production of "quickie - quick" till committee submits its report.
- E Stop production of "quickie - quick" till committee submits its report.

Answer: A

## Important Formulas for XAT Download PDF

### Question 48

Rahim set up a "brand" committee comprising of a few selected managers, headed by Robert. The committee proposed that IBM should continue to manufacture the three differently branded products. It also proposed to recruit a new brand manager for improving brand image of the products. It agreed with Rahim that the company should increase the price. Rocket Singh, head of sales, was confused because he realized that customers were miffed with "run - of - the - mill" and "maxi - max".

What should Rocket Singh do?

- A Launch one more product to increase sales.
- B Stop production of quickie - quick.
- C Launch a campaign on social media to increase awareness about company's products.
- D Send an anonymous email to all the employees highlighting customer dissatisfaction.
- E Conduct a research study to find out the reason for customer's dissatisfaction.

Answer: E

### Question 49

Some of the managers in production department were discussing the problems faced in shipping products in time. They complained that they had to undertake responsibility of creating financial and marketing plans in addition to responsibility of production planning. At the same time, finance and marketing managers were to be involved in preparing production plans. It was expected that this will reduce customer complaints. It was rumored that these changes were initiated by the managers educated in the U.S. Which of the following is the best possible course of action available to the affected managers?

- A Create a union to safeguard their rights.
- B File a law suit against the company.
- C Create a forum for discussion and resolution of issues.
- D Register a complaint with the human rights body.
- E Go for further education to the U.S.

Answer: C

### Instructions

Read the following case-let and answer the questions that follow

Rajinder Singh was 32 years old from the small town of Bathinda, Punjab. Most of the families living there had middle class incomes,

with about 10% of the population living below the poverty level. The population consisted of 10 percent small traders, 30 percent farmers, besides others. Rajinder liked growing up in Bhathinda, where people knew and cared about each other.

Even as a youngster it was clear that Rajinder was smart and ambitious. Neighbors would often say, "Someday you're going to make us proud!" He always had a job growing up at Singh's General Store - Uncle Balwant's store. Balwant was a well-intentioned person. Rajinder loved being at the store and not just because Balwant paid him well. He liked helping customers, most of who were known by the nicknames. Setting up displays and changing the merchandise for different seasons and holidays was always exciting. Uncle Balwant had one child and off late, his interest in business had declined. But he had taught Rajinder 'the ins and outs of retailing'. He had taught Rajinder everything, including ordering merchandise, putting on a sale, customer relations, and keeping the books.

The best part about working at the store was Balwant himself. Balwant loved the store as much as Rajinder did. Balwant had set up the store with a mission to make sure his neighbors got everything they needed at a fair price. He carried a wide variety of goods, based on the needs of the community. If you needed a snow shovel or piece of jewelry for your wife, it was no problem - Singh's had it all. Rajinder was impressed by Balwant's way of handling and caring for customers. If somebody was going through "hard times", Balwant somehow knew it. When they came into the store, Balwant would make them feel comfortable, and say something like, "you know Jaswant, let's put everything on credit today". This kind of generosity made it easy to understand why Balwant was loved and respected throughout the community.

Rajinder grew up and went to school and college in Bhathinda. Later on, he made it to an MBA program in Delhi. Rajinder did well in the MBA course and was goal oriented. After first year of his MBA, the career advisor and Balwant advised Rajinder for an internship at Bigmart. That summer, Rajinder was amazed by the breadth and comprehensiveness of the internship experience. Rajinder got inspired by the life story of the founder of Bigmart, and the value the founder held. Bigmart was one of the best companies in the world.

The people that Rajinder worked for at Bigmart during the internship noticed Rajinder's work ethic, knowledge, and enthusiasm for the business. Before the summer ended, Rajinder had been offered a job as a Management Trainee by Bigmart, to start upon graduation. Balwant was happy to see Rajinder succeed. Even for Rajinder, this was a dream job - holding the opportunity to move up the ranks in a big company. Rajinder did indeed move up the ranks quickly, from management trainee, to assistant store manager, to supervising manager of three stores, to the present position - Real Estate Manager, North India. This job involved locating new sites within targeted locations and community relations.

One day Rajinder was eagerly looking forward to the next assignment. When he received email for the same, his world came crashing down. He was asked to identify next site in Bhathinda. It was not that Rajinder didn't believe in Bigmart's explanation. What was printed in the popular press, especially the business press, only reinforced Rajinder's belief in Bigmart. An executive viewed as one of the wisest business persons in the world was quoted as saying, "Bigmart had been a major force in improving the quality of life for the average consumer around the world offering great prices on good, giving them one stop solution for almost everything." Many big farmers also benefitted through low prices, as middlemen were removed. At the same time, Rajinder knew that opening a new Bigmart could disrupt small business in Bhathinda. Some local stores in small towns went out of business within a year of the Bigmart's opening.

In Bhathinda, one of the local stores Singh's, now run by Balwant's son, although Balwant still came in every day to "straighten out the merchandise." As Rajinder thought about this assignment, depression set in, and the nightmares followed. Rajinder was frozen in time and space. Rajinder's nightmares involved Balwant screaming something - although Rajinder could not make out what Balwant was saying. This especially troubled Rajinder, since Balwant never raised his voice.

Rajinder didn't know what to do - who might be helpful? Rajinder's spouse, who was a housewife? Maybe talking it through could lead to some positive course of action. Rajinder's boss? Would Bigmart understand? Could Rajinder really disclose the conflict without fear? Uncle Balwant? Should Rajinder really disclose the situation and ask for advise? He wanted a solution that would make all satkeholders happy.

#### Question 50

Who is the best person for Rajinder to talk to?

- A Wife
- B Boss
- C Let time take its own course
- D Balwant
- E His colleagues in the office

Answer: D



## Download XAT GK PDF

### Question 51

After deliberation with many people and a lot of research, Rajinder came across a study published in leading journal, which stated that most local farmers benefited because Bigmart bought agricultural produce directly from the farmers.

Which of the following actions would you prefer Rajinder to take, after he got this fresh information?

- A Since farmers benefit from Bigmart's presence, Rajinder should be happy with Bigmart's presence in Bhatinda
- B Rajinder should undertake a new study to find out influence of Bigmart on local farmers
- C Rajinder should see this as an opportunity to take concerns of local traders to the top management of Bigmart in India. It may help Bigmart to develop new solutions that can benefit Bigmart, retailers, farmers and consumers.
- D Quit job at Bigmart and start another big retail chain to compete with Bigmart
- E Request his boss to transfer him to new location, which has a low percentage of mom and pop stores. This would reduce Rajinder's discomfort.

Answer: C

### Question 52

Which is the right ascending order, in terms of proportion of population, benefitting from Bigmart, in and around Bhatinda?

- A Consumers, farmers, retailers
- B Farmers, consumers, retailers
- C Retailers, farmers, consumers
- D Farmers, retailers, consumers
- E Consumers, retailers, , farmers

Answer: C

## Download XAT Current Affairs Questions & Answers PDF

### Quantitative Ability

#### Instructions

For the following questions answer them individually

#### Question 53

$x$ , 17,  $3x - y^2 - 2$ , and  $3x + y^2 - 30$ , are four consecutive terms of an increasing arithmetic sequence. The sum of the four number is divisible by:

- A 2
- B 3
- C 5
- D 7
- E 11

Answer: A

**Explanation:**

The terms  $x$ ,  $17$ ,  $3x - y^2 - 2$  and  $3x + y^2 - 30$  are in A.P.

$\Rightarrow$  Common difference =  $d = 17 - x$  -----Eqn(I)

$d = 3x - y^2 - 19$  -----Eqn(II)

$d = 2y^2 - 28$  -----Eqn(III)

From eqn(I) & (II),  $\Rightarrow 17 - x = 3x - y^2 - 19$

$\Rightarrow 4x - y^2 = 36$  -----Eqn(IV)

From eqn(II) & (III),  $\Rightarrow 3x - y^2 - 19 = 2y^2 - 28$

$\Rightarrow x - y^2 = -3$  -----Eqn(V)

Solving eqn(IV) & (V), we get :

$x = 13, y^2 = 16$

$\Rightarrow$  Terms are =  $13, 17, 21, 25$

$\therefore$  Sum =  $13 + 17 + 21 + 25 = 76$ , which is divided by 2. (among the given options)

## XAT Daily Current Affairs

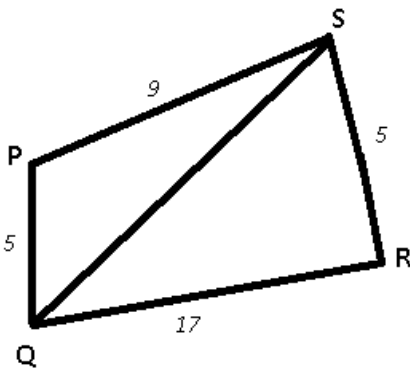
**Question 54**

In quadrilateral PQRS, PQ = 5 units, QR = 17 units, RS = 5 units, and PS = 9 units. The length of the diagonal QS can be:

- A > 10 and < 12
- B > 12 and < 14
- C > 14 and < 16
- D > 16 and < 18
- E cannot be determined

Answer: B

**Explanation:**



In a triangle, sum of two sides is greater than the third side and difference of two sides is less than third side.

In  $\triangle PQS$

$\Rightarrow QS < 9 + 5 \Rightarrow QS < 14$  -----Eqn(I)

In  $\triangle QRS$

$\Rightarrow QS > 17 - 5 \Rightarrow QS > 12$  -----Eqn(II)

From eqn(I) & (II)

$$\Rightarrow 12 < QS < 14$$

**Question 55**

The sum of the possible values of X in the equation  $|X + 7| + |X - 8| = 16$  is:

- A 0
- B 1
- C 2
- D 3
- E None of the above

**Answer: B**

**Explanation:**

$$\text{Expression : } |x + 7| + |x - 8| = 16$$

Case 1 :  $x < -7$

$$\Rightarrow -(x + 7) - (x - 8) = 16$$

$$\Rightarrow -2x + 1 = 16$$

$$\Rightarrow x = \frac{-15}{2} = -7.5$$

Case 2 :  $-7 \leq x < 8$

$$\Rightarrow (x + 7) - (x - 8) = 16$$

$$\Rightarrow 15 = 16, \text{ which is not possible.}$$

Case 3 :  $x \geq 8$

$$\Rightarrow (x + 7) + (x - 8) = 16$$

$$\Rightarrow 2x - 1 = 16$$

$$\Rightarrow x = \frac{17}{2} = 8.5$$

$$\therefore \text{Sum of all possible values of } x = 8.5 - 7.5 = 1$$

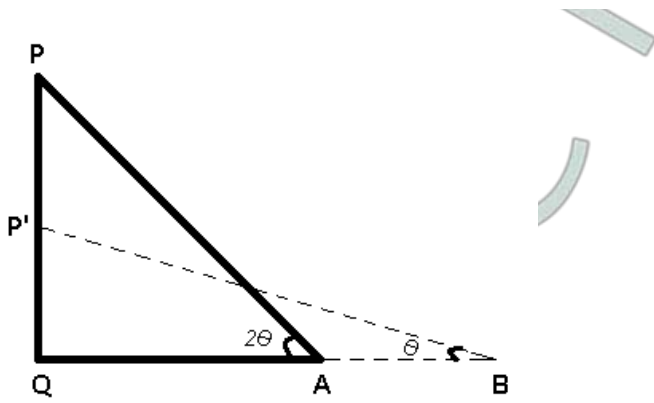
**Question 56**

There are two windows on the wall of a building that need repairs. A ladder 30 m long is placed against a wall such that it just reaches the first window which is 26 m high. The foot of the ladder is at point A. After the first window is fixed, the foot of the ladder is pushed backwards to point B so that the ladder can reach the second window. The angle made by the ladder with the ground is reduced by half, as a result of pushing the ladder. The distance between points A and B is

- A < 9 m
- B  $\geq 9$  m and < 9.5 m
- C  $\geq 9.5$  m and < 10 m
- D  $\geq 10$  m and < 10.5 m
- E  $\geq 10.5$  m

**Answer: E**

**Explanation:**



Given : Length of ladder =  $PA = P'B = 30$  m and  $PQ = 26$  m

$$\angle PAQ = 2 \angle P'BQ$$

To find :  $AB = ?$

Solution : In  $\triangle PAQ$

$$\Rightarrow (QA)^2 = (PA)^2 - (PQ)^2$$

$$\Rightarrow (QA)^2 = 30^2 - 26^2 = 900 - 676$$

$$\Rightarrow QA = \sqrt{224} \approx 15$$

$$\text{Also, } \cos 2\theta = \frac{QA}{PA}$$

$$\Rightarrow 2\theta = \cos^{-1}\left(\frac{15}{30}\right)$$

$$\Rightarrow 2\theta = 60 \Rightarrow \theta = \frac{60}{2} = 30$$

In  $\triangle P'QB$

$$\Rightarrow \cos 30 = \frac{QB}{P'B}$$

$$\Rightarrow QB = \frac{\sqrt{3}}{2} \times 30$$

$$\Rightarrow QB = 15 \times 1.732 = 25.98$$

$$\therefore AB = QB - QA = 25.98 - 15 = 10.98 \text{ m}$$

## XAT previous papers (download pdf)

### Question 57

Amitabh picks a random integer between 1 and 999, doubles it and gives the result to Sashi. Each time Sashi gets a number from Amitabh, he adds 50 to the number, and gives the result back to Amitabh, who doubles the number again. The first person, whose result is more than 1000, loses the game. Let 'x' be the smallest initial number that results in a win for Amitabh. The sum of the digits of 'x' is:

- A 3
- B 5
- C 7
- D 9
- E None of these

Answer: C

**Question 58**

Consider four natural numbers:  $x$ ,  $y$ ,  $x + y$ , and  $x - y$ . Two statements are provided below:

- I. All four numbers are prime numbers.
- II. The arithmetic mean of the numbers is greater than 4.

Which of the following statements would be sufficient to determine the sum of the four numbers?

- A Statement I.
- B Statement II.
- C Statement I and Statement II.
- D Neither Statement I nor Statement II.
- E Either Statement I or Statement II.

**Answer: A**

**Explanation:**

Natural numbers =  $x, y, (x + y), (x - y)$

Statement I : As all the numbers are prime, therefore, either  $x$  or  $y$  has to be 2 because otherwise  $(x+y)$  cannot be prime.

Case 1 : If  $x = 2$ , then  $(x-y)$  cannot be prime

Case 2 : If  $y = 2$ , numbers =  $(x - 2), x, (x + 2)$

These numbers are prime, hence all possibility = 3,5,7

$\therefore$  Sum =  $2+3+5+7 = 17$

Using statement II, we cannot find the required sum, as no specific value of mean is given.

**Thus, statement I alone is sufficient.**

**Question 59**

Triangle ABC is a right angled triangle. D and E are mid points of AB and BC respectively. Read the following statements.

- I.  $AE = 19$
- II.  $CD = 22$
- III. Angle B is a right angle.

Which of the following statements would be sufficient to determine the length of AC?

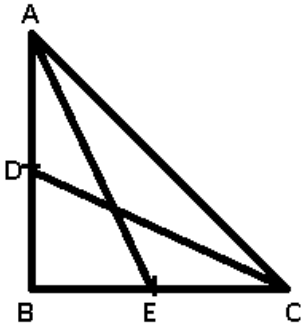
- A Statement I and Statement II.
- B Statement I and Statement III.
- C Statement II and III.
- D Statement III alone.
- E All three statements.

**Answer: E**

**Explanation:**

ABC is right angled triangle. D and E are mid points of AB and BC respectively.

As it is not given that which angle is  $90^\circ$ . So we need statement (III) to find the value of AC.



Whereas using statement (I) & (II) alone, we cannot find the value of AC.

But using all the three statements. We can find value of  $(AB)^2 + (BC)^2$ .

Hence, the value of  $AC = \sqrt{(AB)^2 + (BC)^2}$  using Pythagoras Theorem.

=> Ans - (E) : All statements are required.

## XAT Previous Papers

### Question 60

There are two circles  $C_1$  and  $C_2$  of radii 3 and 8 units respectively. The common internal tangent, T, touches the circles at points  $P_1$  and  $P_2$  respectively. The line joining the centers of the circles intersects T at X. The distance of X from the center of the smaller circle is 5 units. What is the length of the line segment  $P_1P_2$  ?

A  $\leq 13$

B  $> 13$  and  $\leq 14$

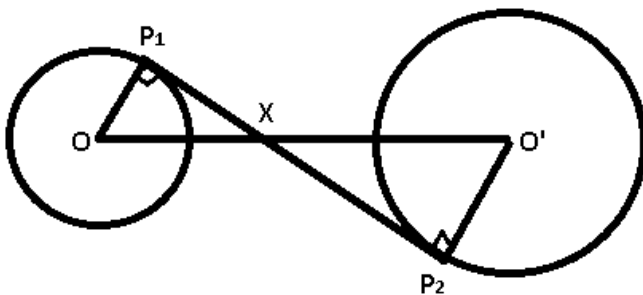
C  $> 14$  and  $\leq 15$

D  $> 15$  and  $\leq 16$

E  $> 16$

Answer: C

Explanation:



Given :  $OP_1 = 3, O'P_2 = 8, OX = 5$  units

To find :  $P_1P_2 = ?$

Solution : In  $\triangle OP_1X$

$$\Rightarrow (P_1X)^2 = (OP_1)^2 - (OX)^2$$

$$\Rightarrow (P_1X)^2 = 5^2 - 3^2 = 25 - 9$$

$$\Rightarrow P_1X = \sqrt{16} = 4$$

In  $\triangle OP_1X$  and  $\triangle O'P_2X$

$\angle OXP_1 = \angle O'XP_2$  (Vertically opposite angles)

$$\angle OP_1X = \angle O'P_2X = 90$$

$$\Rightarrow \triangle OP_1X \sim \triangle O'P_2X$$

$$\Rightarrow \frac{XP_1}{XP_2} = \frac{OP_1}{O'P_2}$$

$$\Rightarrow XP_2 = 4 \times \frac{8}{3} = 10.66$$

$$\therefore P_1P_2 = P_1X + XP_2 = 4 + 10.66 = 14.66 \text{ units}$$

#### Question 61

Consider the formula,  $S = \frac{\alpha \times \omega}{\tau + \rho \times \omega}$  positive integers. If  $\omega$  is increased and  $\alpha$ ,  $\tau$  and  $\rho$  are kept constant, then S:

- A increases
- B decreases
- C increases and then decreases
- D decreases and then increases
- E cannot be determined

**Answer: A**

#### Explanation:

$$\text{Expression : } S = \frac{\alpha \times \omega}{\tau + \rho \times \omega}$$

$$\Rightarrow S = \frac{1}{\frac{\tau + \rho \times \omega}{\alpha \times \omega}}$$

$$\Rightarrow S = \frac{1}{\frac{\tau}{\alpha \omega} + \frac{\rho}{\omega}}$$

Since,  $\tau$ ,  $\rho$  and  $\alpha$  are constant,

$$\Rightarrow S = \frac{1}{\frac{k_1}{\omega} + k_2}$$

Thus,  $S \propto \omega$

$\therefore$  When  $\omega$  increases, S increases.

#### Question 62

Prof. Suman takes a number of quizzes for a course. All the quizzes are out of 100. A student can get an A grade in the course if the average of her scores is more than or equal to 90. Grade B is awarded to a student if the average of her scores is between 87 and 89 (both included). If the average is below 87, the student gets a C grade. Ramesh is preparing for the last quiz and he realizes that he will score a minimum of 97 to get an A grade. After the quiz, he realizes that he will score 70, and he will just manage a B. How many quizzes did Prof. Suman take?

- A 6
- B 7
- C 8
- D 9
- E None of these

**Answer: D**

#### Explanation:

Grade A  $\geq 90$  and Grade B = 87 to 89

If Ramesh scores 70 instead of 97,  $\Rightarrow$  Change of marks =  $97 - 70 = 27$

It creates a change from grade A to B, this means an overall change in average by

= Minimum marks for grade A - Minimum marks for Grade B = 90 - 87 = 3

∴ Number of subjects =  $\frac{27}{3} = 9$

## XAT Free Mock Test

### Question 63

A polynomial  $y = ax^3 + bx^2 + cx + d$  intersects x-axis at 1 and -1, and y-axis at 2. The value of b is:

- A -2
- B 0
- C 1
- D 2
- E Cannot be determined

**Answer: A**

#### Explanation:

Expression :  $ax^3 + bx^2 + cx + d$

When it intersects x-axis at  $x = 1$ ,  $\Rightarrow$  Point = (1,0)

$$\Rightarrow a(1)^3 + b(1)^2 + c(1) + d = 0$$

$$\Rightarrow a + b + c + d = 0 \text{ -----Eqn(I)}$$

Similarly at (-1,0)

$$\Rightarrow a(-1)^3 + b(-1)^2 + c(-1) + d = 0$$

$$\Rightarrow -a + b - c + d = 0 \Rightarrow (a + c) = (b + d)$$

Substituting it in eqn(I), we get :

$$\Rightarrow 2(b + d) = 0 \Rightarrow b + d = 0 \text{ -----Eqn(II)}$$

When it intersects y-axis at = 2,  $\Rightarrow$  Point = (0,2)

$$\Rightarrow a(0)^3 + b(0)^2 + c(0) + d = 2$$

$$\Rightarrow d = 2$$

Substituting it in Eqn(II),  $\Rightarrow b = -2$

### Question 64

The probability that a randomly chosen positive divisor of  $10^{29}$  is an integer multiple of  $10^{23}$  is:  $\frac{a^2}{b^2}$ , then 'b - a' would be:

- A 8
- B 15
- C 21
- D 23
- E 45

**Answer: D**

#### Explanation:

Number of factors of  $10^{29} = 2^{29} \times 5^{29}$



$$= 30 \times 30 = 900$$

Factors of  $10^{29}$  which are multiple of  $10^{23}$

$$= 10^6 = 2^6 \times 5^6$$

$$= 7 \times 7 = 49$$

$$\Rightarrow \text{Required probability} = \frac{49}{900} = \frac{a^2}{b^2}$$

$$\Rightarrow \frac{a}{b} = \frac{7}{30}$$

$$\therefore b - a = 30 - 7 = 23$$

#### Question 65

Circle  $C_1$  has a radius of 3 units. The line segment PQ is the only diameter of the circle which is parallel to the X axis. P and Q are points on curves given by the equations  $y = a^x$  and  $y = 2a^x$  respectively, where  $a < 1$ . The value of a is:

A  $\frac{1}{\sqrt[6]{2}}$

B  $\frac{1}{\sqrt[3]{3}}$

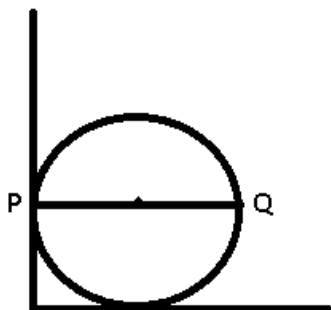
C  $\frac{1}{\sqrt[3]{6}}$

D  $\frac{1}{\sqrt{6}}$

E None of the above

Answer: A

Explanation:



Radius = 3 units,  $\Rightarrow$  Diameter = PQ = 6 units

y-coordinates of P and Q are same as PQ is parallel to x-axis

x-coordinates of P and Q will have a difference of 6 units.

Equating y-coordinate of P and Q

$$\Rightarrow a^x = 2a^{x+6}$$

$$\Rightarrow \frac{1}{2} = \frac{a^{x+6}}{a^x}$$

$$\Rightarrow a^{x+6-x} = \frac{1}{2}$$

$$\Rightarrow a = \frac{1}{\sqrt[6]{2}}$$

**XAT Decision Making Mock Tests**

Question 66

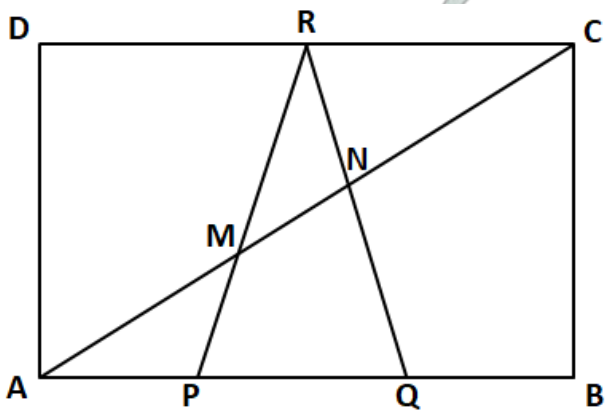
Consider a rectangle ABCD of area 90 units. The points P and Q trisect AB, and R bisects CD. The diagonal AC intersects the line segments PR and QR at M and N respectively. What is the area of the quadrilateral PQNM?

- A > 9.5 and ≤ 10
- B > 10 and ≤ 10.5
- C > 10.5 and ≤ 11
- D > 11 and ≤ 11.5
- E > 11.5

Answer: D

Explanation:

Let us draw the figure according to the available information,



In  $\triangle AMP$  and  $\triangle CMR$

$$\angle MAP = \angle MCR$$

$$\angle AMP = \angle CMR$$

Therefore, we can say that  $\triangle AMP \sim \triangle CMR$

$$\frac{AP}{CR} = \frac{MP}{MR}$$

Hence, we can say that  $CR = MR$

$$\frac{AB/3}{AB/2} = \frac{MP}{MR}$$

$$\Rightarrow MR = 2 * MP$$

$$\text{Therefore, we can say that } \Rightarrow MR = 5 * RP \dots (1)$$

Similarly, in  $\triangle ANQ$  and  $\triangle CNR$

$$\angle NAQ = \angle NCR$$

$$\angle ANQ = \angle CNR$$

Therefore, we can say that  $\triangle ANQ \sim \triangle CNR$

$$\frac{AQ}{CR} = \frac{NQ}{NR}$$

Hence, we can say that  $CR = NR$

$$\frac{2AB/3}{AB/2} = \frac{NQ}{NR}$$

$$\Rightarrow NR = 4 * NQ$$

$$\text{Therefore, we can say that } \Rightarrow NR = 7 * RQ \dots (2)$$

In  $\triangle RMN$  and  $\triangle RPQ$

$$\text{Area of triangle RMN} = 0.5 * RM * RN * \sin MRN$$

$$\text{Area of triangle RPQ} = 0.5 * RP * RQ * \sin PRQ$$

$$\text{Area of triangle RMN} = 5 * 7 * \text{Area of triangle RPQ}$$

We know that, Area of triangle RPQ =  $1/6 * \text{Area of rectangle ABCD} = 1/6 * 90 = 15$  sq. units

$$\Rightarrow \text{Area of triangle RMN} = 5 * 7 * 15 = 7 \text{ sq. units}$$

Hence, the area of the quadrilateral PQNM =  $15 - 7 = 7 = 117$  sq. units. Therefore, option D is the correct answer.

### Question 67

Two numbers,  $297_B$  and  $792_B$ , belong to base B number system. If the first number is a factor of the second number then the value of B is:

- A 11
- B 12
- C 15
- D 17
- E 19

Answer: E

### Explanation:

In Base B,  $297_B = 2B^2 + 9B + 7$

and  $792_B = 7B^2 + 9B + 2$

It is given that  $297_B$  is a factor of  $792_B$

$\Rightarrow \frac{7B^2+9B+2}{2B^2+9B+7}$  must be an integer

$$\Rightarrow \frac{(2B^2+9B+7)+(5B^2-5)}{2B^2+9B+7}$$

$$\Rightarrow \frac{5B^2-5}{2B^2+9B+7} + 1 = k$$

$$\Rightarrow 5B^2 - 5 = (2B^2 + 9B + 7)k \quad (\text{where } k \text{ is factor})$$

Put  $k = 1$

$$\Rightarrow 5B^2 - 5 = 2B^2 + 9B + 7$$

$$\Rightarrow B^2 - 3B - 4 = 0$$

$$\Rightarrow (B - 4)(B + 1) = 0$$

$$\Rightarrow B = 4, -1$$

Since, B is a base, so B must be greater than 9. Hence, it is not possible

Put  $k = 2$

$$\Rightarrow 5B^2 - 5 = 4B^2 + 18B + 14$$

$$\Rightarrow B^2 - 18B - 19 = 0$$

$$\Rightarrow (B - 19)(B + 1) = 0$$

$$\Rightarrow B = 19, -1$$

$$\therefore B = 19$$

#### Question 68

A teacher noticed a strange distribution of marks in the exam. There were only three distinct scores: 6, 8 and 20. The mode of the distribution was 8. The sum of the scores of all the students was 504. The number of students in the most populated category was equal to the sum of the number of students with lowest score and twice the number of students with the highest score. The total number of students in the class was:

- A 50
- B 51
- C 53
- D 56
- E 57

Answer: E

#### Explanation:

Let  $x, y, z$  be the number of students getting 6, 8 and 20 marks respectively.

$$\Rightarrow 6x + 8y + 20z = 504 \text{ -----Eqn(I)}$$

Since, the mode is 8,  $\Rightarrow$  Most populated category =  $y$

$$\Rightarrow y = x + 2z$$

$$\Rightarrow x = y - 2z \text{ -----Eqn(II)}$$

Substituting it in eqn(I), we get :

$$\Rightarrow (6y - 12z) + 8y + 20z = 504$$

$$\Rightarrow 14y + 8z = 504$$

By hit and trial, since  $x, y, z$  are integers, we get :  $y = 32$  and  $z = 7$

$$\text{Putting it in Eqn(II), } \Rightarrow x = 32 - 2 \times 7 = 18$$

$$\therefore \text{Total students} = x + y + z = 18 + 32 + 7 = 57$$

[Download XAT Syllabus PDF](#)

#### Question 69

Read the following instruction carefully and answer the question that follows:

Expression  $\sum_{n=1}^{13} \frac{1}{n}$  can also be written as  $\frac{x}{13!}$  What would be the remainder if  $x$  is divided by 11?

- A 2
- B 4
- C 7
- D 9
- E None of the above

Answer: D

**Explanation:**

$$\text{Expression : } \sum_{n=1}^{13} \frac{1}{n} = \frac{x}{13!}$$

$$\Rightarrow \frac{1}{1} + \frac{1}{2} + \frac{1}{3} + \dots + \frac{1}{13} = \frac{x}{13!}$$

$$\Rightarrow x = \frac{13!}{1} + \frac{13!}{2} + \frac{13!}{3} + \dots + \frac{13!}{13}$$

Now, if  $x$  is divided by 11

$$\Rightarrow \frac{13! + \frac{13!}{2} + \frac{13!}{3} + \dots + \frac{13!}{13}}{11}$$

All terms are divisible by 11 except  $\frac{13!}{11}$

$\therefore$  Remainder if  $x$  is divided by 11 = Remainder of  $\frac{13!}{11 \times 11}$

$$= (10! \times 12 \times 13) \% 11$$

$$= (10 \times 1 \times 2) \% 11 = 20 \% 11 = 9$$

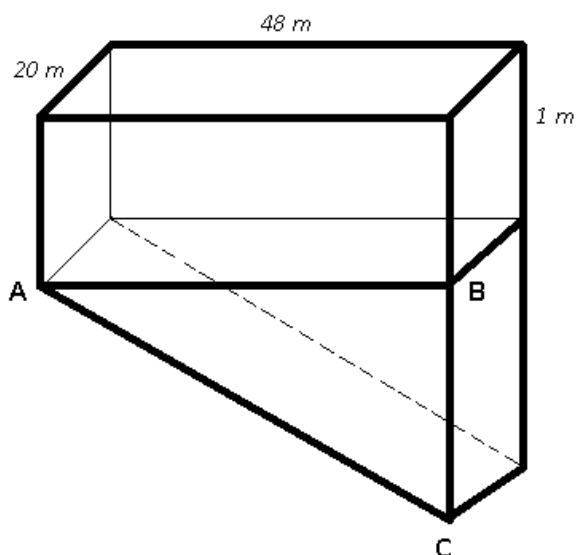
**Question 70**

A rectangular swimming pool is 48 m long and 20 m wide. The shallow edge of the pool is 1 m deep. For every 2.6 m that one walks up the inclined base of the swimming pool, one gains an elevation of 1 m. What is the volume of water (in cubic meters), in the swimming pool? Assume that the pool is filled up to the brim.

- A 528
- B 960
- C 6790
- D 10560
- E 12960

**Answer: D**

**Explanation:**



For every 2.6 m that one walks along the slanting part of the pool, there is a height of 1 m that is gained.

$$\Rightarrow \frac{AC}{BC} = \frac{2.6}{1}$$

$$\Rightarrow AC = 2.6 \times BC$$

Also, dimensions of cuboidal part =  $48 \times 20 \times 1$

In  $\triangle ABC$

$$\Rightarrow (AC)^2 = (AB)^2 + (BC)^2$$

$$\Rightarrow (2.6 \times BC)^2 = (48)^2 + (BC)^2$$

$$\Rightarrow 6.76(BC)^2 - (BC)^2 = 2304$$

$$\Rightarrow (BC)^2 = \frac{2304}{5.76} = 400$$

$$\Rightarrow BC = \sqrt{400} = 20 \text{ m}$$

$\therefore$  Volume of water in the pool = Volume of cuboid + Volume of triangle

$$= (l \times b \times h) + \left(\frac{1}{2} \times AB \times BC\right) \times \text{height}$$

$$= (48 \times 20 \times 1) + \left(\frac{1}{2} \times 48 \times 20 \times 20\right)$$

$$= 960 + 9600 = 10560 \text{ m}^3$$

#### Question 71

The value of the expression:  $\sum_{i=2}^{100} \frac{1}{\log_i 100!}$  is:

A 0.01

B 0.1

C 1

D 10

E 100

Answer: C

Explanation:

$$\text{Expression: } \sum_{i=2}^{100} \frac{1}{\log_i 100!}$$

$$= \frac{1}{\log_2 100!} + \frac{1}{\log_3 100!} + \frac{1}{\log_4 100!} + \dots + \frac{1}{\log_{100} 100!}$$

$$\text{We know that } \frac{1}{\log_b a} = \log_a b$$

$$= \log_{100!} 2 + \log_{100!} 3 + \log_{100!} 4 + \dots + \log_{100!} 100$$

$$\text{Also, } \log_a b + \log_a c = \log_a (b \times c)$$

$$= \log_{100!} (2 \times 3 \times 4 \times 5 \times \dots \times 100)$$

$$= \log_{100!} 100! = 1$$

## XAT Preparation Tips

#### Question 72

There are two squares S 1 and S 2 with areas 8 and 9 units, respectively. S 1 is inscribed within S 2, with one corner of S 1 on each side of S 2. The corners of the smaller square divides the sides of the bigger square into two segments, one of length 'a' and the other of length 'b', where,  $b > a$ . A possible value of 'b/a', is:

A  $\geq 5$  and  $< 8$

B  $\geq 8$  and  $< 11$

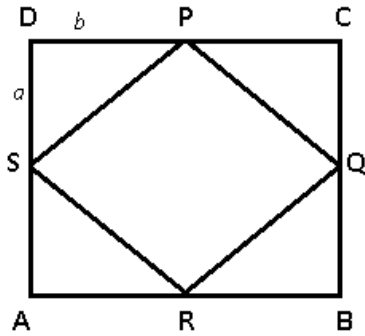
C  $\geq 11$  and  $< 14$

D  $\geq 14$  and  $< 17$

E  $> 17$

Answer: D

Explanation:



Area of  $S_1 = 8$  sq. units

$\Rightarrow$  Side of  $S_1 = PS = \sqrt{8} = 2\sqrt{2}$  units

Similarly, Side of  $S_2 = CD = \sqrt{9} = 3$  units

$\Rightarrow a + b = 3$

In  $\triangle PDS$

$\Rightarrow b^2 + a^2 = 8$

$\Rightarrow b^2 + (3 - b)^2 = 8$

$\Rightarrow b^2 + 9 + b^2 - 6b = 8$

$\Rightarrow 2b^2 - 6b + 1 = 0$

$\Rightarrow b = \frac{6 \pm \sqrt{36 - 8}}{4} = \frac{6 \pm \sqrt{28}}{4}$

$\Rightarrow b = \frac{3 + \sqrt{7}}{2}$  ( $\because b > a$ )

$\Rightarrow a = 3 - \frac{3 + \sqrt{7}}{2} = \frac{3 - \sqrt{7}}{2}$

$\therefore a = \frac{3 - \sqrt{7}}{2}$

$= \frac{3 + \sqrt{7}}{3 - \sqrt{7}} \approx 15.9$

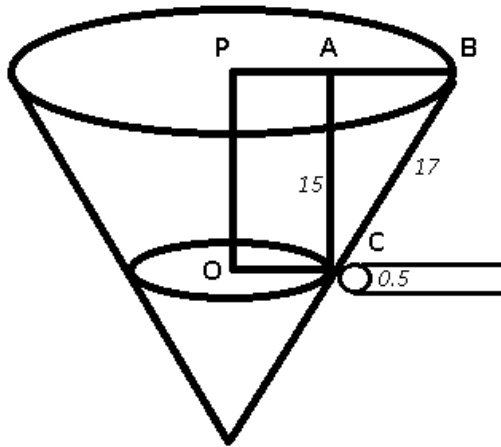
Question 73

Diameter of the base of a water - filled inverted right circular cone is 26 cm. A cylindrical pipe, 5 mm in radius, is attached to the surface of the cone at a point. The perpendicular distance between the point and the base (the top) is 15 cm. The distance from the edge of the base to the point is 17 cm, along the surface. If water flows at the rate of 10 meters per minute through the pipe, how much time would elapse before water stops coming out of the pipe?

- A < 4.5 minutes
- B  $\geq 4.5$  minutes but < 4.8 minutes
- C  $\geq 4.8$  minutes but < 5 minutes
- D  $\geq 5$  minutes but < 5.2 minutes
- E  $\geq 5.2$  minutes

Answer: D

Explanation:



Radius of cone =  $BP = 13$  cm

In  $\triangle ABC$

$$\Rightarrow (AB)^2 = (BC)^2 - (AC)^2$$

$$\Rightarrow (AB)^2 = 17^2 - 15^2 = 289 - 225$$

$$\Rightarrow AB = \sqrt{64} = 8 \text{ cm}$$

$$\Rightarrow AP = OC = BP - AB = 13 - 8 = 5 \text{ cm}$$

Let time elapsed before water stops coming out of the pipe =  $T$  min

Volume of frustum = Volume discharged

$$\Rightarrow \frac{1}{3}\pi h(R^2 + r^2 + Rr) = \pi (0.5)^2 \times f \times T \quad (\text{where } f \text{ is the flowrate given by } 10\text{m/s} = 1000\text{cm/s})$$

(Total volume = Cross sectional area of pipe  $\times$  flowrate  $\times$  Total time)

$$\Rightarrow \frac{1}{3} \times 15 \times (13^2 + 5^2 + 13 \times 5) = 0.25 \times 1000 \times T$$

$$\Rightarrow 5 \times 259 = 250 \times T$$

$$\Rightarrow T = \frac{259}{50} = 5.18 \text{ min}$$

#### Question 74

Aditya has a total of 18 red and blue marbles in two bags (each bag has marbles of both colors). A marble is randomly drawn from the first bag followed by another randomly drawn from the second bag, the probability of both being red is  $\frac{5}{16}$ . What is the probability of both marbles being blue?

A  $\frac{1}{16}$

B  $\frac{2}{16}$

C  $\frac{3}{16}$

D  $\frac{4}{16}$

E  $\frac{5}{16}$

Answer: C

Explanation:

Probability of both marbles being red = Probability of red from 1st  $\times$  probability of red from 2nd

$$= \frac{5}{16}$$

$\therefore$  Each bag has marbles of both colors and probability cannot be greater than 1

$$\Rightarrow \frac{5}{16} = \frac{5}{8} \times \frac{1}{2}$$

where, probability of red marbles from 1st bag =  $\frac{5}{8}$



=> Probability of blue marbles from 1st bag =  $1 - \frac{5}{8} = \frac{3}{8}$

Similarly, Probability of red marbles from 1st bag =  $\frac{1}{2}$

=> Probability of blue marbles from 2nd bag =  $1 - \frac{1}{2} = \frac{1}{2}$

∴ Probability of both blue marbles =  $\frac{3}{8} \times \frac{1}{2}$

=  $\frac{3}{16}$

## Important Formulas for XAT Download PDF

### Instructions

Answer the questions based on the given data on the tourism sector in India.

Years	Foreign Tourist Arrivals in India (in million)	Foreign Exchange Earnings from Tourism in India (in US \$ million)	Foreign Exchange Earnings from Tourism in India (in Rs. Crore)	Number of Indian Nationals Departures from India (in million)	Number of Domestic Tourist Visits to all States/ Uts (in millions)
1997	2.37	2889	10511	3.73	159.88
1998	2.36	2948	12150	3.81	168.2
1999	2.48	3009	12951	4.11	190.67
2000	2.65	3460	15626	4.42	220.11
2001	2.54	3198	15083	4.56	236.47
2002	2.38	3103	15064	4.94	269.6
2003	2.73	4463	20729	5.35	309.04
2004	3.46	6170	27944	6.21	366.27
2005	3.92	7493	33123	7.18	392.01
2006	4.45	8634	39025	8.34	462.32
2007	5.08	10729	44360	9.78	526.56
2008	5.28	11832	51294	10.87	563.03
2009	5.17	11136	53700	11.07	668.8
2010	5.78	14193	64889	12.99	747.7
2011	6.29	16564	77591	14.21	850.86

### Question 75

In which of the following years the percentage increase in the number of Indians going abroad was greater than the percentage increase in the number of domestic tourists?

- A 2004 and 2005
- B 2005 and 2006
- C 2005 and 2007
- D 2006 and 2008
- E 2004, 2005 and 2006

Answer: C

Explanation:

Year	Indians going abroad	%Increase wrt previous	Number of domestic	% increase
2003	5.35	8.2	309.04	14.6
2004	6.21	16	366.27	18.5
2005	7.18	15.6	392.01	7
2006	8.34	16.1	462.32	17.9
2007	9.78	17.3	526.56	13.9
2008	10.87	11.1	563.03	6.9

From the above table, it is clear that the percentage increase in the number of Indians going abroad was greater than the percentage increase in the number of domestic tourists

for the years 2005 and 2007

C is the correct answer.

#### Question 76

In which of the following years was the rupee cheapest with respect to the dollar?

- A 2001
- B 2002
- C 2007
- D 2010
- E 2011

Answer: B

Explanation:

Year	Exchange in dollars	Exchange in rupees	Dollar/Rupee
2001	3198	15083	0.212026785
2002	3103	15064	0.205987785
2007	10729	44360	0.241862038
2010	14193	64889	0.218727365
2011	16564	77591	0.213478367

from the above table, it is clear that the value of rupee wrt to the dollar is cheapest in the year 2002

Hence B is the correct answer.

#### Question 77

Let 'R' be the ratio of Foreign Exchange Earnings from Tourism in India (in US \$ million) to Foreign Tourist Arrivals in India (in million). Assume that R increases linearly over the years. If we draw a pie chart of R for all the years, the angle subtended by the biggest sector in the pie chart would be approximately:

- A 24
- B 30
- C 36
- D 42
- E 48

Answer: C

Explanation:

Year	Earnings	Tourist arrivals	Ratio
1997	2889	2.37	1218.99
1998	2948	2.36	1249.15
1999	3009	2.48	1213.31
2000	3460	2.65	1305.66
2001	3198	2.54	1259.06
2002	3103	2.38	1303.78
2003	4463	2.73	1634.80
2004	6170	3.46	1783.24
2005	7493	3.92	1911.48
2006	8634	4.45	1940.22
2007	10729	5.08	2112.01
2008	11832	5.28	2240.91
2009	11136	5.17	2153.97
2010	14193	5.78	2455.54
2011	16564	6.29	2633.39
		<b>Total</b>	<b>26415.49</b>

If we try to plot a pie chart using the values of R for all the years, 2011 will subtend maximum value since its R value is maximum among all the years.

$$\text{Angle} = \frac{2633.39}{26415.49} \times 360^\circ$$

=35.88 = 36° approximately.

C is the correct answer.

[Download XAT GK PDF](#)

### Instructions

Answer the questions based on the following information given below.

The exhibit given below compares the countries (first column) on different economic indicators (first row), from 2000-2010. A bar represents data for one year and a missing bar indicates missing data. Within an indicator, all countries have same scale.

Indicator \ Country	GDP (constant 2000 US\$)	Services, value added (% of GDP)	Industry, value added (% of GDP)	Agriculture, value added (% of GDP)	Military expenditure (% of GDP)	Health expenditure (% of GDP)	Imports of goods and services (% of GDP)	Exports of goods and services (% of GDP)
Brazil		██████████	██████████	██████████	██████████	██████████		
China			██████████	██████████	██████████		██████████	██████████
India		██████████	██████████	██████████	██████████			
Malaysia			██████████	██████████	██████████		██████████	██████████
Philippines		██████████	██████████	██████████			██████████	██████████
Thailand		██████████	██████████	██████████			██████████	██████████
United States	██████████	██████████			██████████	██████████		
Vietnam			██████████	██████████	██████████	██████████	██████████	██████████

Table given below contains data of GDP in constant 2000 US Dollar (in billions).

Country	2000	2001	2002	2003	2004	2005	2006	2007	2008	2009	2010
Brazil	645	653	671	678	717	740	769	816	858	855	919
China	1,198	1,298	1,416	1,558	1,715	1,909	2,151	2,457	2,693	2,940	3,246
India	475	498	518	559	603	659	720	790	821	888	973
Malaysia	94	94	99	105	112	118	125	133	140	137	147
Philippines	81	83	86	91	97	101	107	114	119	120	129
Thailand	123	125	132	141	150	157	165	174	178	174	187
United States	9,899	10,007	10,190	10,450	10,814	11,146	11,443	11,661	11,619	11,209	11,548
Vietnam	31	33	36	38	41	45	48	53	56	59	63

**Question 78**

Which of the following countries, after United States, has the highest spending on military as % of GDP, in the period 2000-2010?

- A Vietnam
- B China
- C India
- D Brazil
- E Thailand

**Answer: C**

**Question 79**

Which country (and which year) has witnessed maximum year-to-year decline in "industry as percentage of GDP"? Given that the maximum value of industry as percentage of GDP is 49.7% and the minimum value of industry as percentage of GDP is 20.02%, in the chart above.

- A United States in 2002-3
- B Brazil in 2006-7
- C India in 2009-10
- D Malaysia in 2008-9
- E China in 2008-9

**Answer: D**

**Question 80**

Which of the following countries has shown maximum increase in the "services, value added as % of GDP" from year 2000 to year 2010?

- A Brazil
- B India
- C United States
- D Philippines
- E None of the above

**Answer: B**

## Download XAT Current Affairs Questions & Answers PDF

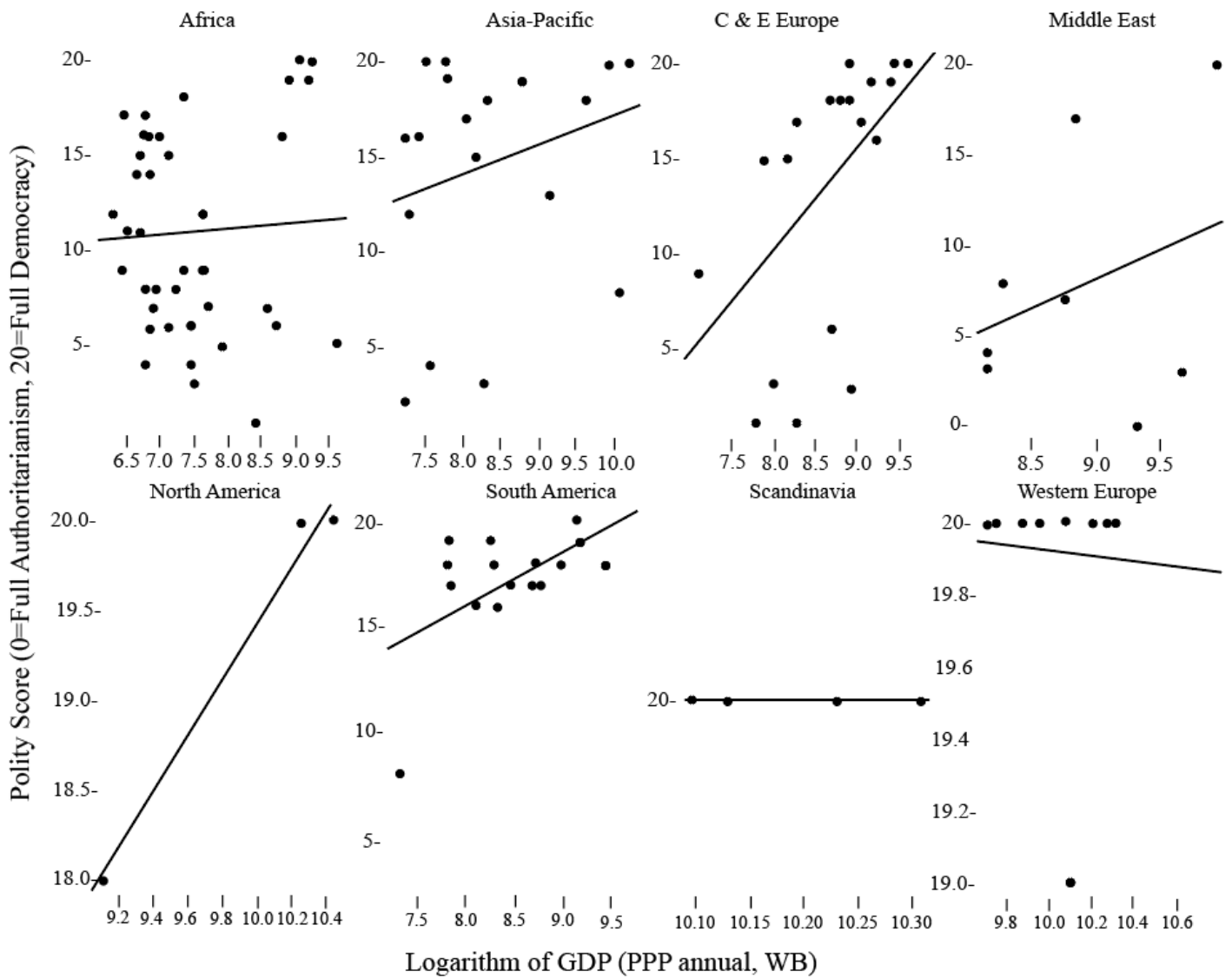
**Instructions**

Answer the questions based on the trends lines from the following graphs.

Note: Left side of X axis represents countries that are "poor" and right side of X axis represents countries that are "rich", for each region.

GDP is based on purchasing power parity (PPP).

These are World Bank (WB) estimates.



Question 81

Which of the following could be the correct ascending order of democratic regions for poor?

- A North America, C and E Europe, South America, Middle East, Asia Pacific
- B Scandinavia, Western Europe, Africa, Asia Pacific, Middle East
- C Scandinavia, Western Europe, North America, C and E Europe, Middle East
- D C and E Europe, Africa, South America, Western Europe, Scandinavia
- E Africa, South America, Western Europe, North America, Scandinavia

Answer: D

Question 82

Which region has the highest disparity, of democratic participation, between rich and poor?

- A North America
- B C & E Europe
- C Africa
- D South America

E Western Europe

**Answer: B**

**Question 83**

The maximum GDP of African region is higher than the maximum GDP of South American region by factor of:

A 10

B 100

C 2

D 4

E None of these

**Answer: E**

**Explanation:**

From the graph, we can say that the maximum GDP of African and South American region has the same value. i.e 20

So E is the correct answer.

## XAT Daily Current Affairs

### General Knowledge

**Instructions**

For the following questions answer them individually

**Question 84**

The G-7 is a group consisting of:

A the heads of the states of US, UK, France, Germany, Italy, Canada, and Japan

B the finance ministers of US, UK, France, Germany, Italy, Canada, and Japan

C the heads of the states of US, UK, France, Germany, Russia, Canada, and Japan

D the finance ministers of US, UK, France, Germany, Russia, Canada, and Japan

E the heads of the states of US, UK, France, Germany, Russia, Italy, and Japan

**Answer: B**

## XAT previous papers (download pdf)

**Question 85**

The correct match between countries and their official languages is:

A Brazil - Spanish, Barbados - English, Haiti - Portuguese, Chile - French

B Brazil - Spanish, Barbados - Portuguese, Haiti - French, Chile - Spanish

C Brazil - Portuguese, Barbados - English, Haiti - French, Chile - Spanish

D Brazil - Portuguese, Barbados - French, Haiti - Spanish, Chile - French

E Brazil - Portuguese, Barbados - French, Haiti - Portuguese, Chile - Spanish

**Answer: C**

**Question 86**

The correct match between the following mountain ranges and their highest peaks is:

A Alps : Mont Blanc, Rockies - Mount Albert, Andes - Mount Aconcagua, Karakoram - K2

B Alps : Mount Albert, Rockies - Aconcagua, Andes - Mont Blanc, Karakoram - K2

C Alps : Mount Albert, Rockies - Aconcagua, Andes - K2, Karakoram - Mont Blanc

D Alps : Mont Blanc, Rockies - Aconcagua, Andes - Mount Albert, Karakoram - K2

E Alps : Aconcagua, Rockies - Mount Albert, Andes - Mont Blanc, Karakoram - K2

**Answer: A**

**Question 87**

The acronym "YAHOO" stands for:

A A song sung by Shammi Kapoor

B Yet Another Hierarchical Object Orientation

C Yet Another Hierarchical Official Oracle

D Young American Hi-tech Organization in Ohio

E None of these

**Answer: C**

## XAT Previous Papers

**Question 88**

The list of persons not containing an RBI governor is:

A Raghuram Rajan, D. Subbarao, I.G Patel, R.N Malhotra

B Y.V Reddy, Bimal Jalan, C. Rangarjari, S. Venkitaraman

C Manamohan Singh, A. Ghosh, D. Subbarao, K.R Puri

D Raghuram Rajan, D. Subbarao, Y.V Reddy, James Taylor

E None of the above

**Answer: E**

**Question 89**

The factor that least influences exchange rate fluctuations:

A Industrial Production

B Investor sentiments

- C Interest Rates
- D Consumer Price Index
- E Goods and Service Tax

**Answer: B**

**Question 90**

The sequence that contains a wrong match between car manufacturers and their country of origin

- A Bugatti - France, Opel- Germany, Ferrari - Italy, Jaguar - England
- B Cherry Automoblie - U.K, Rolls-Royce - U.K, Austin - U.K, Kia - Korea
- C First Automobile Works - China, The First Cars - Japan, Lancia - Italy, Saab - Sweden
- D Volvo - Sweden, Audi - Germany, Skoda - Czech Republic, Tatra - Australia
- E Volkswagen - Germany, Audi-Germany, Opel - Germany, Mercedes Benz - Germany

**Answer: D**

## XAT Free Mock Test

**Question 91**

As per the Constitution, which among the following is not a fundamental right granted to the citizens of India ?

- A Right to Equality
- B Right to Freedom
- C Right Against Exploitation
- D Right to Property
- E Right to Freedom of Religion

**Answer: D**

**Question 92**

Jawaharlal Nehru declared 'Poorna Swaraj' at:

- A Surat (1907)
- B Belgaum (1924)
- C Lahore (1929)
- D Tripuri (1939)
- E Calcutta (1938)

**Answer: C**

**Question 93**

Who among the following was known as the 'Saint of the Gutters'?



- A Baba Amte
- B Mother Teresa
- C C.F. Andrews
- D Jyotirao Phule
- E Dr. Bindeshwar Pathak

**Answer:** B

**Explanation:**

Mother Teresa was known as the 'Saint of the Gutters'.  
Hence, option B is the correct answer.

## XAT Decision Making Mock Tests

**Question 94**

'Long Walk To Freedom' is the autobiography of the following Bharat Ratna recipient

- A Jawaharlal Nehru
- B S. Radhakrishnan
- C Khan Abdul Ghaffar Khan
- D Nelson Mandela
- E C. Rajgopalachari

**Answer:** D

**Question 95**

Which seventh century Indian mathematician was the first in the world to treat 'zero' as a number and show its mathematical operations ?

- A Aryabhatta
- B Medhatithi
- C Brahmagupta
- D Bhaskaracharya
- E Panini

**Answer:** A

**Question 96**

Which city houses the headquarters of International Atomic Energy Agency (IAEA)

- A Tokyo (Japan)
- B Vienna (Austria)
- C Geneva (Switzerland)
- D New York (U.S.A)

E Brussels (Belgium)

Answer: B

## Download XAT Syllabus PDF

### Question 97

Which Indian region is the only place in the world where the Asiatic Wild Ass is Found ?

A Sunderban

B Leh and Ladakh

C Coromandel

D Rann of Kutch

E Andaman and Nicobar Islands

Answer: D

### Question 98

The number of officially recognized Languages according to the Eight Schedule of the Indian Constitution is

A 22

B 15

C 19

D 25

E 12

Answer: A

### Question 99

The ancient civilization of Sumer flourished in a region, which is a part of the following country in the modern world

A Iraq

B Syria

C Sumeria

D Egypt

E None of the above

Answer: A

## XAT Preparation Tips

### Question 100

The following women have been honoured with The Nobel Peace Prize, except:

- A Mother Teresa
- B Wangari Mutta Maathai
- C Aung San Suu Kyi
- D Doris Lessing
- E Shirin Ebadi

**Answer: B**

**Question 101**

The correct ascending order of the countries based on the latest Gross Domestic Product data (Purchasing Power Parity) from IMF is:

- A Brazil, Japan, India, China, USA
- B Germany, Japan, India, China, USA
- C Brazil, India, Japan, China, USA
- D Germany, Russia, Japan, China, USA
- E Russia, India, Japan, China, USA

**Answer: A**

**Question 102**

The distance covered in half marathon is approximately:

- A 21 km
- B 42 km
- C 11 km
- D 7.5 km
- E 5 km

**Answer: A**

**Important Formulas for XAT Download PDF**

**Question 103**

The newest country in the world is:

- A Palau
- B Kosovo
- C Eritrea
- D East Timor
- E South Sudan

**Answer: E**

[Download XAT GK PDF](#)

[XAT previous papers \(download pdf\)](#)

[XAT Previous Papers](#)

[XAT Free Mock Test](#)

[XAT Decision Making Mock Tests](#)

[Download XAT Syllabus PDF](#)

[XAT Preparation Tips](#)

[Important Formulas for XAT Download PDF](#)

[Download XAT GK PDF](#)

[Download XAT Current Affairs Questions & Answers PDF](#)

[XAT Daily Current Affairs](#)