



SSC CHSL 31 Jan 2017 Evening Shift

All rights reserved. No part of this publication may be reproduced, distributed, or transmitted in any form or by any means, electronic, mechanical, photocopying, recording or otherwise, or stored in any retrieval system of any nature without the permission of cracku.in, application for which shall be made to support@cracku.in

Reasoning

Instructions

For the following questions answer them individually

Question 1

Select the related word/letters/number from the given alternatives.

Sheep : Flock :: Grapes : ?

- A Bunch
- B Stock
- C Hectare
- D Land

Answer: A

Explanation:

Expression = Sheep : Flock :: Grapes : ?

A group of sheeps is called flock, similarly a group of grapes is called bunch.

=> Ans - (A)

SSC CHSL Free Mock Test

Question 2

Select the related word/letters/number from the given alternatives.

HEK : MJP :: NKQ : ?

- A SRX
- B SQY
- C SPV
- D SUW

Answer: C

Explanation:

Expression = HEK : MJP :: NKQ : ?

The pattern followed is :

H	E	K
(+5)	(+5)	(+5)
M	J	P

Similarly, NKQ : SPV

N	K	Q
(+5)	(+5)	(+5)
S	P	V

=> Ans - (C)

Question 3

Select the related word/letters/number from the given alternatives.

OPQ : MQO :: VWX : ?

A TXW

B TXV

C UTS

D USR

Answer: B

Explanation:

Expression = OPQ : MQO :: VWX : ?

The pattern followed is :

O	P	Q
(-2)	(+1)	(-2)
M	Q	O

Similarly, VWX : TXV

V	W	X
(-2)	(+1)	(-2)
T	X	V

=> Ans - (B)

Question 4

Select the related word/letters/number from the given alternatives.

8 : 9 :: 25 : ?

A 32

B 36

C 49

D 55

Answer: A

Explanation:

Expression = $8 : 9 :: 25 : ?$

The pattern followed is = $a^b : b^a$

Eg :- $2^3 : 3^2 = 8 : 9$

Similarly, $25 = 5^2$

$\Rightarrow 2^5 = 32$

\Rightarrow Ans - (A)

SSC CHSL Previous Papers (DOWNLOAD PDF)

Question 5

Select the odd word/letters/number/number pair from the given alternatives.

A Herd

B Stock

C Gang

D Cub

Answer: D

Explanation:

Herd, stock are gang represents a group of animals, goods and criminals respectively while a cub is the young one of a carnivorous mammal, hence cub is the odd one out.

\Rightarrow Ans - (D)

Question 6

Select the odd word/letters/number/number pair from the given alternatives.

A AZ

B CX

C BY

D DV

Answer: D

Explanation:

When the letters are written in reverse order

A B C D E F G H I J K L M N O P Q R S T U V W X Y Z
↓ ↓ ↓
Z Y X W V U T S R Q P O N M L K J I H G F E D C B A

A is opposite of Z, B of Y and C of X, but D is opposite of W and not V, hence DV is the odd one out.

=> Ans - (D)

Question 7

Select the odd word/letters/number/number pair from the given alternatives.

A 1728

B 4096

C 5832

D 2746

Answer: D

Explanation:

$1728 = (12)^3$, $4096 = (16)^3$ and $5832 = (18)^3$, but 2746 is not a perfect cube number, hence 2746 is the odd one out.

=> Ans - (D)

SSC CGL MTS Previous Papers (DOWNLOAD PDF)

Question 8

Select the odd word/letters/number/number pair from the given alternatives.

A 655

B 360

C 826

D 995

Answer: C

Explanation:

Apart from 826, other numbers are divisible by 5, hence 826 is the odd one out.

=> Ans - (C)

Question 9

A series is given with one term missing. Choose the correct alternative from the given ones that will complete the series.

CD, GH, KL, ?

A PN

B NO

C NP

D OP

Answer: D

Explanation:

Expression : CD, GH, KL, ?

The pattern followed in each letter of the terms is :

1st letter : C (+4 letters) = G (+4 letters) = K (+4 letters) = O

2nd letter : D (+4 letters) = H (+4 letters) = L (+4 letters) = P

Thus, missing term = **OP**

=> Ans - (D)

Question 10

A series is given with one term missing. Choose the correct alternative from the given ones that will complete the series.

EDCB, IHGF, MLKJ, ?

A QPON

B QLNO

C KNOL

D LMON

Answer: A

Explanation:

Expression : EDCB, IHGF, MLKJ, ?

The pattern followed in each letter of the terms is :

1st letter : E (+4 letters) = I (+4 letters) = M (+4 letters) = Q

2nd letter : D (+4 letters) = H (+4 letters) = L (+4 letters) = P

3rd letter : C (+4 letters) = G (+4 letters) = K (+4 letters) = O

4th letter : B (+4 letters) = F (+4 letters) = J (+4 letters) = N

Thus, missing term = **QPON**

=> Ans - (A)

SSC CGL GD Constable Previous Papers (DOWNLOAD PDF)

Question 11

A series is given with one term missing. Choose the correct alternative from the given ones that will complete the series.

13, 21, 48, 112, ?

A 237

B 280

C 255

D 290

Answer: A

Explanation:

Cubes of consecutive natural numbers are added.

$$13 + 2^3 = 21$$

$$21 + 3^3 = 48$$

$$48 + 4^3 = 112$$

$$112 + 5^3 = \mathbf{237}$$

=> Ans - (A)

Question 12

In the following question, two statements are given each followed by two conclusions I and II. You have to consider the statements to be true even if they seem to be at variance from commonly known facts. You have to decide which of the given conclusions, if any, follows from the given statements.

Statement:

(I) Pre - school culture is prevailing in all parts of the country now.

(II) Parents have less time to spend with their children so toddlers are admitted to school at a very early age.

Conclusions:

(I) Number of preschools is increasing in all parts of country.

(II) Children at a very age are exposed to the outer world resulting in changes in behavior patterns.

- A Only conclusion II follows
- B Conclusion I and II both follow
- C Neither I nor II follow
- D Only conclusion I follows

Answer: D

Question 13

A series is given with one term missing. Choose the correct alternative from the given ones that will complete the series.

Infant, Childhood, Adolescence, ?

- A Bachelor
- B Adult
- C Widow
- D Old

Answer: B

Explanation:

The stages of a person's life is given.

= Infant -> Childhood -> Adolescence -> Adult

=> Ans - (B)

SSC Stenographer Previous Papers (DOWNLOAD PDF)

Question 14

M, N, O, P and Q are standing in a row. P is at an end and third to the right of O. N is to the right of Q but left of P. Who is at the left end?

- A M
- B N
- C O
- D P

Answer: A

Explanation:

P is at an end and third to the right of O.

=> P is at the extreme right end, and O is second from left end.

N is to the right of Q but left of P.

=> Q sits in the middle, and N sits between Q and P.

Thus, Arrangement :

M	O	Q	N	P
---	---	---	---	---

∴ M is at the left end.

=> Ans - (A)

Question 15

Arrange the given words in the sequence in which they occur in the dictionary.

- i. Misleader
- ii. Monarchy
- iii. Mobil
- iv. Manage
- v. Movies

- A i, iv, iii, ii, v
- B iv, i, iii, v, ii
- C i, iii, ii, v, iv
- D iv, i, iii, ii, v

Answer: D

Explanation:

As per the order of dictionary :

= Manage -> Misleader -> Mobil -> Monarchy -> Movies

≡ iv, i, iii, ii, v

=> Ans - (D)

Question 16

In a certain code language, "FIRMLY" is written as "TKHWJK". How is "PUBLIC" written in that code language?

- A DOXRAG
- B DWRAGJ

C DWRAGK

D DWRAHJ

Answer: B

Explanation:

"FIRMLY" is written as "TKHWJK"

The pattern followed is that the word is divided into parts : (FIR) (MLY) and each part is written in reverse order to find the code : (RIF) (YLM)

R	I	F	Y	L	M
(+2)	(+2)	(+2)	(-2)	(-2)	(-2)
T	K	H	W	J	K

Similarly, PUBLIC is written as : (BUP) (CIL)

B	U	P	C	I	L
(+2)	(+2)	(+2)	(-2)	(-2)	(-2)
D	W	R	A	G	J

=> Ans - (B)

SSC CGL Previous Papers (DOWNLOAD PDF)

Question 17

Find the missing Number

19	29	45
4	5	3
5	6	?
3	4	6

A 5

B 7

C 4

D 3

Answer: B

Explanation:

In each column the pattern followed is that the sum of second term and the product of last two terms is equal to the first term.

Eg :- $4 + (5 \times 3) = 19$

and $5 + (6 \times 4) = 29$

Similarly, $3 + (x \times 6) = 45$

$\Rightarrow 6x = 45 - 3 = 42$

$\Rightarrow x = \frac{42}{6} = 7$

\Rightarrow Ans - (B)

Question 18

If $52*14= 33$, $44*8= 26$ and $86*14= 50$, then what will $43*15$ be?

A 43

B 58

C 26

D 29

Answer: D

Explanation:

The pattern followed is that for the numbers, $a * b = c$, we have $c = \frac{(a+b)}{2}$

Eg :- $52*14= 33 \equiv \frac{(52+14)}{2} = \frac{66}{2} = 33$

and $86*14= 50 \equiv \frac{(86+14)}{2} = \frac{100}{2} = 50$

Similarly, $43*15 \equiv \frac{(43+15)}{2} = \frac{58}{2} = 29$

\Rightarrow Ans - (D)

Question 19

In the following question, which one set of letters when sequentially placed at the gaps in the given letter series shall complete it?

ab_d_bb_a_bd

A badd

B babd

C badb

D abdd

Answer: C

Explanation:

The pattern followed is that in groups of 4, the term 'abbd' is repeated.

= abbd abbd abbd

=> Ans - (C)

SSC CGL Free Mock Test (Latest Pattern)

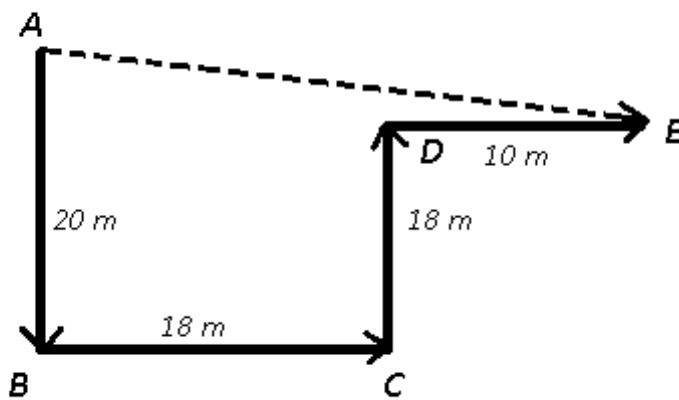
Question 20

Starting from a point, Suraj walked 20 m south, then he turned left and walked 18 m, he again turned left and walked 18 m, then he turned right and walked 10 m. How far and in which direction is he now from the starting point?

- A $\sqrt{784}$ m in north
- B $\sqrt{788}$ m in south-east
- C $\sqrt{786}$ m in south-west
- D $\sqrt{790}$ m in north-west

Answer: B

Explanation:



Let Suraj started from point A and walked 20 m south to reach B, then turned left and walked for 18 m to reach point C, again turned left for 18 m and finally stopped at point E.

$$\text{Thus, } AE = \sqrt{(18 + 10)^2 + (20 - 18)^2}$$

$$\Rightarrow AE = \sqrt{784 + 4} = \sqrt{788} \text{ m}$$

\therefore Suraj is $\sqrt{788}$ m in south-east direction from his starting point.

=> Ans - (B)

Question 21

A word is represented by only one set of numbers as given in any one of the alternatives. The sets of numbers given in the alternatives are represented by two classes of alphabets as shown in the given two matrices. The columns and rows of Matrix-I are numbered from 0 to 4 and that of Matrix-II are numbered from 5 to 9. A letter from these matrices can be represented first by its row and next by its column, for example, 'U' can be represented by 10, 33 etc. and 'N' can be represented by 75,89 etc. Similarly, you have to identify the set for the word 'BOARD'

MATRIX 1:

	0	1	2	3	4
0	R	B	U	P	A
1	U	A	R	B	P
2	P	R	U	A	B
3	A	P	B	U	R
4	B	U	A	R	P

MATRIX 2:

	5	6	7	8	9
5	D	N	S	H	O
6	S	D	O	N	H
7	N	O	H	D	S
8	H	S	D	O	N
9	O	H	N	S	D

A 32, 76, 04, 21, 55

B 01, 66, 11, 43, 99

C 40, 59, 41, 00, 66

D 30, 67, 42, 34, 78

Answer: A

Explanation:

(A) : 32, 76, 04, 21, 55 = **BOARD**

(B) : 01, 66, 11, 43, 99 = BDARD

(C) : 40, 59, 41, 00, 66 = BOURD

(D) : 30, 67, 42, 34, 78 = AOARD

=> Ans - (A)

Question 22

Rahul said, "The boy in that picture is the brother of the daughter of my paternal grandfather's only son".
How is the boy in the picture related to Rahul?

- A Cousin
- B Father
- C Nephew
- D Brother

Answer: D

Explanation:

Rahul's paternal grandfather's only son is Rahul's father.

Now, the boy is the brother of daughter of Rahul's father, => Rahul and the boy are siblings.

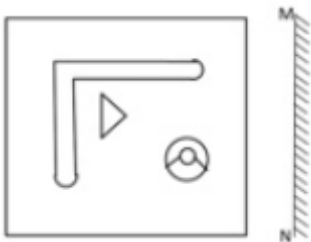
Thus, That boy is Rahul's brother.

=> Ans - (D)

SSC Stenographer Previous Papers (Latest Pattern)

Question 23

If a mirror is placed in the line MN, then which of the answer figures is the right image of the given figure?





Answer: A

Explanation:

A vertical mirror is placed, so the object on the left will appear right in reverse position and vice-versa.

So the horizontal line will face left but the vertical will face south, thus the second and last options will be eliminated.

Also, in the question figure, the triangle will point left side, hence first option is the right image.

=> Ans - (A)

Question 24

Identify the diagram that best represents the relationship among the given classes.

Student, Badminton Player, Girl



Answer: A

Explanation:

A student can be either a badminton player or a girl, similarly a girl can be a student or a badminton player and vice-versa.

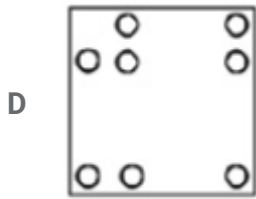
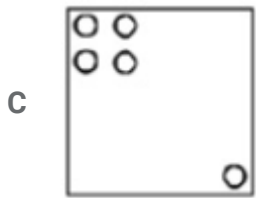
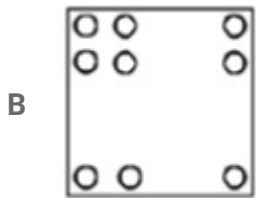
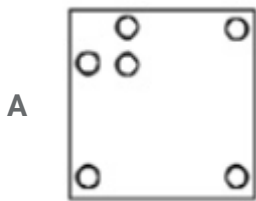
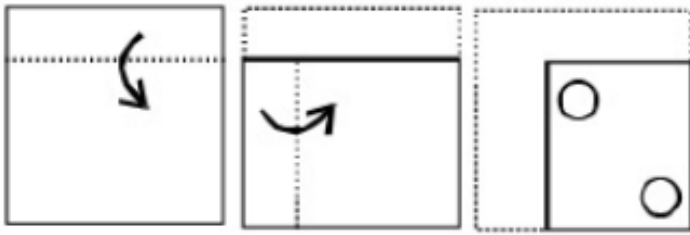
Thus, the venn diagram that best describes above relationship is :



=> Ans - (A)

Question 25

A piece of paper is folded and punched as shown below in the question figures. From the given answer figures, indicate how it will appear when opened.



Answer: C

SSC GD Constable Free Mock Test (Latest Pattern)

General Awareness

Instructions

For the following questions answer them individually

Question 26

_____ in Chandrapur district is the oldest and the largest National Park in Maharashtra.

- A Tadoba Andhari Tiger Project
- B Bandipur National Park
- C Bandhavgarh National Park
- D Dandeli Wildlife Sanctuary

Answer: A

SSC MTS Free Mock Test (Latest Pattern)

Question 27

Name the first Indian to win an Oscar

- A AR Rahman
- B Bhanu Athaiya
- C Satyajit Ray
- D Gulzar

Answer: B

Question 28

The outer white part of the eye that protects the inner structures is _____.

- A Iris
- B Sclera
- C Retina
- D Cornea

Answer: B

Question 29

Proteins are made up of _____.

- A Amino acids
- B Fatty acids

- C Glucose
- D Nucleotides

Answer: A

SSC CPO Free Mock Test (Latest Pattern)

Question 30

The modern periodic table consists of 18 groups and 7 periods. What is the atomic number of the element placed in the 4th group and the 4th period?

- A 24
- B 20
- C 22
- D 12

Answer: C

Question 31

A Gigabyte equals all of the following, except _____.

- A 1000 megabytes
- B trillion bytes
- C Million kilobytes
- D 1 thousandth of a terabyte

Answer: B

Question 32

If price of an article decreases from Rs 800 to Rs 750, when quantity demanded increases from Q1 units to 2250 units, and if point elasticity of demand is -2 find Q1?

- A 2400 units
- B 2000 units
- C 1800 units

D 1500 units

Answer: B

25 SSC CHSL MOCKS 149

Question 33

Which of the following is false about minimum wages?

- A A minimum wage law benefits all unskilled workers.
- B A minimum wage harms firms by forcing them to pay higher wages.
- C A minimum wage harms customers because the law usually leads to higher product prices.
- D A minimum wage increases unemployment.

Answer: A

Question 34

Which of the following is a greenhouse gas or a gas which can deplete the ozone layer?

- A Br₂
- B OF₂
- C CHCl₂F
- D CO

Answer: C

Question 35

Which was Al Gore's Oscar winning Documentary?

- A Heartbroken Kid
- B An Inconvenient Truth
- C Senna
- D To be or not to be

Answer: B

SSC CHSL Important Questions and Answers (Download PDF)

Question 36

Which of the following is the hottest planet?

- A Earth
- B Venus
- C Jupiter
- D Neptune

Answer: B

Question 37

Which of these was not from the Mughal Dynasty?

- A Humayun
- B Akbar
- C Sher Shah Suri
- D Kamran Mirza

Answer: C

Question 38

Who set up the Sabarmati Ashram in Ahmedabad?

- A Subhash Chandra Bose
- B Mohandas Gandhi
- C Jawaharlal Nehru
- D Sarojini Naidu

Answer: B

SSC CHSL Free Videos (Youtube)

Question 39

Who discovered Catalysis?

- A Messcureni
- B Berzelius
- C Hooke
- D Garner

Answer: B

Question 40

Find the power of a convex lens if the image formed is at a distance of 20 cm from the lens when the object is placed on the other side of the lens at 60 cm from the optical centre?

- A 3.33 diopters
- B 6.67 diopters
- C -6.67 diopters
- D -3.33 diopters

Answer: B

Question 41

What is the unit of the physical quantity "Heat capacity"?

- A watt per kelvin
- B joule per kelvin
- C newton per kelvin
- D pascal per kelvin

Answer: B

SSC CHSL Syllabus

Question 42

The power to grant pardons or suspend or remit the sentence of any convicted persons is vested in the _____.

- A President
- B Vice President
- C Supreme Court Judge
- D Defence Minister

Answer: A

Question 43

Uniform Civil Code is mentioned in which article of Indian Constitution?

- A 44
- B 4
- C 14
- D 34

Answer: A

Question 44

Abhinav Bindra won Gold Medal for which Sport in Olympics?

- A Shooting
- B Wrestling
- C Hockey
- D Athletics

Answer: A

SSC CHSL Expected Cutt off

Question 45

Who is the author of "The Namesake"?

- A Salman Rushdie
- B Jhumpa Lahiri

C Amish Tripathi

D Chetan Bhagat

Answer: B

Question 46

Moringa Oleifera is the scientific name of _____.

A Banyan

B Gulmohar

C Amla

D Drumstick

Answer: D

Question 47

Cheraw is a folk dance of _____.

A Mizoram

B Puducherry

C Gujarat

D Rajasthan

Answer: A

SSC CHSL Study Material

Question 48

The brand name Teflon represents which polymer?

A Polystyrene

B Polypropylene

C Polytetrafluoroethylene

D Polyethylene terephthalate

Answer: C

Question 49

Gandhinagar is the Capital City of _____.

- A Himachal Pradesh
- B Goa
- C Gujarat
- D Madhya Pradesh

Answer: C

Question 50

The Iron Pillar is located in?

- A Qutb Minar Complex
- B Humayun's Tomb
- C Red Fort Complex
- D Mahabodhi Temple Complex

Answer: A

SSC CHSL Free App

Mathematics

Instructions

For the following questions answer them individually

Question 51

The value of x for which the expressions $11x + 7$ and $17x - 1$ become equal is _____.

- A $-4/3$
- B $3/4$
- C $4/3$
- D $-3/4$

Answer: C

Explanation:

Expressions : $11x + 7$ and $17x - 1$

$$\Rightarrow 11x + 7 = 17x - 1$$

$$\Rightarrow 17x - 11x = 7 + 1$$

$$\Rightarrow 6x = 8$$

$$\Rightarrow x = \frac{8}{6} = \frac{4}{3}$$

\Rightarrow Ans - (C)

SSC CHSL Free Mock Test

Question 52

A wholesaler sells a watch to a retailer at a gain of 36% and the retailer sells it to a customer at a loss of 25%. If the customer pays Rs 2499, what had it cost the wholesaler?

A Rs 2548

B Rs 2450

C Rs 3123

D Rs 2352

Answer: B

Explanation:

For the wholesaler,

Let the cost price = Rs. $100x$

With profit of 36%, Selling price = $\frac{136}{100} \times 100x = Rs.136x$

For the retailer,

Cost price = Rs. $136x$

With a loss of 25%, Selling price = $\frac{75}{100} \times 136x = Rs.102x$

For the customer,

Cost price = $102x = 2499$

$$\Rightarrow x = \frac{2499}{102} = \frac{49}{2} = 24.5$$

\therefore Cost price for retailer = $100 \times 24.5 = Rs.2450$

Question 53

A student multiplied a number by $11/13$ instead of $13/11$. What is the percentage error in the calculation?

- A 39.67 percent
- B 28.4 percent
- C 14.2 percent
- D 19.83 percent

Answer: B

Explanation:

Let the number be 143

When the student multiplied it by $\frac{11}{13}$, \Rightarrow original result = $\frac{11}{13} \times 143 = 121$

When the student multiply it by $\frac{13}{11}$, \Rightarrow New result = $\frac{13}{11} \times 143 = 169$

\Rightarrow Percentage error in calculation = $\frac{(169-121)}{169} \times 100$

= $\frac{4800}{169} = 28.4\%$

\Rightarrow Ans - (B)

Question 54

$5 \times [-0.6 (2.8 + 1.2)]$ of 0.3 is equal to

- A -1.44
- B -1.08
- C -1.2
- D -3.6

Answer: D

Explanation:

Expression : $5 \times [-0.6 (2.8 + 1.2)]$ of 0.3

= $5 [(-0.6) \times (4)] \times 0.3$

= $5 \times (-2.4) \times 0.3$

= $(-12) \times 0.3 = -3.6$

\Rightarrow Ans - (D)

SSC CHSL Prevoius Papers (DOWNLOAD PDF)

Question 55

If $(x + y):(x - y) = 5:2$, find value of $(4x + 5y) / (x - 4y)$

- A 43/5
- B -5/43
- C -43/5
- D 5/43

Answer: C

Explanation:

$$\text{Given : } \frac{x+y}{x-y} = \frac{5}{2}$$

$$\Rightarrow 2x + 2y = 5x - 5y$$

$$\Rightarrow 2y + 5y = 5x - 2x \Rightarrow 7y = 3x$$

$$\Rightarrow y = \frac{3x}{7}$$

$$\text{To find : } \frac{4x+5y}{x-4y}$$

$$= [4x + 5(\frac{3x}{7})] \div [x - 4(\frac{3x}{7})]$$

$$= (4x + \frac{15x}{7}) \div (x - \frac{12x}{7})$$

$$= (\frac{43x}{7}) \div (\frac{-5x}{7})$$

$$= \frac{43x}{7} \times \frac{-7}{5x} = \frac{-43}{5}$$

\Rightarrow Ans - (C)

Question 56

P and Q can do a project in 25 and 50 days respectively. In how many days can they complete 18% of the project if they work together?

- A 6 days
- B 3 days
- C 12 days
- D 9 days

Answer: B

Explanation:

Let total work to be done = 50 units

P can complete the work alone in 25 days

$$\Rightarrow \text{P's efficiency} = \frac{50}{25} = 2 \text{ units/day}$$

Q can complete the work alone in 50 days

=> Q's efficiency = $\frac{50}{50} = 1$ unit/day

(P + Q)'s 1 day's work = 2 + 1 = 3 units/day

=> 18% of the work = $\frac{18}{100} \times 50 = 9$ units

∴ Time taken by them together to complete 18% of the work = $\frac{9}{3} = 3$ days

=> Ans - (B)

Question 57

In a class of 56 students there are 21 girls. The average weight of these girls is 56 Kg and average weight of the full class is 62.875 kgs. What is the average weight of the boys of the class?

A 69.75 kg

B 72.5 kg

C 67 kg

D 65 kg

Answer: C

Explanation:

Total number of students = 56 and number of girls = 21

=> Number of boys in class = 56 - 21 = 35

Average weight of girls = 56 kg

=> Total weight of girls = 56 × 21 = 1176 kg

Similarly, total weight of full class = 62.875 × 56 = 3521 kg

=> Total weight of boys = 3521 - 1176 = 2345 kg

∴ Average weight of boys = $\frac{2345}{35} = 67$ kg

=> Ans - (C)

SSC CGL MTS Previous Papers (DOWNLOAD PDF)

Question 58

A missile travels at 1296 km/h. How many metres does it travel in one second?

A 320 metres

B 360 metres

C 341 metres

D 334 metres

Answer: B

Explanation:

Speed of missile = 1296 km/hr

$$\Rightarrow \text{Speed in m/s} = 1296 \times \frac{5}{18}$$

$$= 5 \times 72 = 360 \text{ m/s}$$

\therefore In 1 second, it travels 360 metres

\Rightarrow Ans - (B)

Question 59

A bag has Rs 11 in the form of 1-rupee, 50-paise and 10-paise coins in the ratio of 4:2:5. Find the number of 50-paise coins.

A 10

B 8

C 4

D 2

Answer: C

Explanation:

Let the number of 1-rupee, 50-paise and 10-paise coins be $4x$, $2x$ and $5x$ respectively.

Total amount in the bag = Rs. 11

$$\Rightarrow (1 \times 4x) + \left(\frac{50}{100} \times 2x\right) + \left(\frac{10}{100} \times 5x\right) = 11$$

$$\Rightarrow 4x + x + \frac{x}{2} = 11$$

$$\Rightarrow \frac{8x+2x+x}{2} = 11$$

$$\Rightarrow 11x = 11 \times 2 = 22$$

$$\Rightarrow x = \frac{22}{11} = 2$$

\therefore Number of 50 paise coins = $2x = 2 \times 2 = 4$

\Rightarrow Ans - (C)

Question 60

Marked price of an item is Rs 800. On purchase of 1 item discount is 15%, on purchase of 4 items discount is 38%. Rajshri buys 5 items, what is the effective discount?

A 33.4 percent

- B 16 percent
- C 9 percent
- D 17.5 percent

Answer: A

Explanation:

Marked price of item = Rs. 800

Amount saved on buying 1 item = $\frac{15}{100} \times 800 = Rs.120$

Marked price of 4 items = $4 \times 800 = Rs. 3200$

Amount saved on buying 4 items = $\frac{38}{100} \times 3200 = Rs.1216$

Thus, on buying 5 items, total amount saved = $120 + 1216 = Rs. 1336$

Total marked price of 5 items = $5 \times 800 = Rs. 4000$

\therefore Effective discount = $\frac{1336}{4000} \times 100$

= $\frac{334}{10} = 33.4\%$

=> Ans - (A)

SSC CGL GD Constable Previous Papers (DOWNLOAD PDF)

Question 61

If $2 + 2x < 5 - x/2$ and $5x + 3 > 5 - 5x$; then x can take which of the following values?

- A 2
- B 0
- C -2
- D 1

Answer: D

Explanation:

Expression 1 : $2 + 2x < 5 - x/2$

=> $2x + \frac{x}{2} < 5 - 2$

=> $\frac{5x}{2} < 3$

=> $x < \frac{6}{5}$ -----(i)

Expression 2 : $5x + 3 > 5 - 5x$

=> $5x + 5x > 5 - 3$

$$\Rightarrow 10x > 2$$

$$\Rightarrow x > \frac{1}{5} \text{-----(ii)}$$

Combining inequalities (i) and (ii), we get : $\frac{1}{5} < x < \frac{6}{5}$

Thus, the only value that x can take = 1

\Rightarrow Ans - (D)

Question 62

The sum of a non-zero number and thrice its reciprocal is $\frac{13}{2}$. Find the number.

A 6

B 7

C 8

D 9

Answer: A

Explanation:

Let the number be x

$$\text{According to ques, } \Rightarrow x + \frac{3}{x} = \frac{13}{2}$$

$$\Rightarrow \frac{x^2 + 3}{x} = \frac{13}{2}$$

$$\Rightarrow 2x^2 + 6 = 13x$$

$$\Rightarrow 2x^2 - 13x + 6 = 0$$

$$\Rightarrow 2x^2 - x - 12x + 6 = 0$$

$$\Rightarrow x(2x - 1) - 6(2x - 1) = 0$$

$$\Rightarrow (2x - 1)(x - 6) = 0$$

$$\Rightarrow x = 6, \frac{1}{2}$$

\Rightarrow Ans - (A)

Question 63

$\triangle DEF$ is similar to $\triangle GHI$. Length of DE is 16 cm and length of the corresponding side GH is 25 cm. What is the ratio of areas of $\triangle DEF : \triangle GHI$?

A 4:5

B 16:25

C 256:625

D 25:16

Answer: C

Explanation:

It is given that $\triangle DEF \sim \triangle GHI$

Also, length of DE = 16 cm and length of the corresponding side GH = 25 cm

$$\begin{aligned} \Rightarrow \text{Ratio of Area of } \triangle DEF : \text{Area of } \triangle GHI &= \text{Ratio of square of corresponding sides} = (DE)^2 : (GH)^2 \\ &= \frac{(16)^2}{(25)^2} = \frac{256}{625} \end{aligned}$$

\therefore The required ratio is 256 : 625

\Rightarrow Ans - (C)

SSC Stenographer Previous Papers (DOWNLOAD PDF)

Question 64

The line passing through (2,-1) and (y,-2) is parallel to the line passing through (-3,4) and (0,3) Find y?

A -2

B 2

C 5

D -5

Answer: C

Explanation:

Slope of line passing through (x_1, y_1) and (x_2, y_2) is $\frac{y_2 - y_1}{x_2 - x_1}$

$$\Rightarrow \text{Slope of line passing through } (-3,4) \text{ and } (0,3) = \frac{3-4}{0+3} = \frac{-1}{3}$$

$$\text{Slope of line passing through } (2,-1) \text{ and } (y,-2) = \frac{-2+1}{y-2} = \frac{-1}{(y-2)}$$

Also, slopes of parallel lines are equal.

$$\Rightarrow \frac{-1}{y-2} = \frac{-1}{3}$$

$$\Rightarrow y - 2 = 3$$

$$\Rightarrow y = 3 + 2 = 5$$

\Rightarrow Ans - (C)

Question 65

Find the sum of the measures all the interior angles of a polygon having 10 sides.

- A 2520°
- B 2880°
- C 1440°
- D 3240°

Answer: C

Explanation:

Sum of all interior angles of a polygon having n sides = $(n - 2) \times 180^\circ$

Number of sides of polygon, $n = 10$

=> Sum of interior angles = $(10 - 2) \times 180^\circ$

= $8 \times 180 = 1440^\circ$

=> Ans - (C)

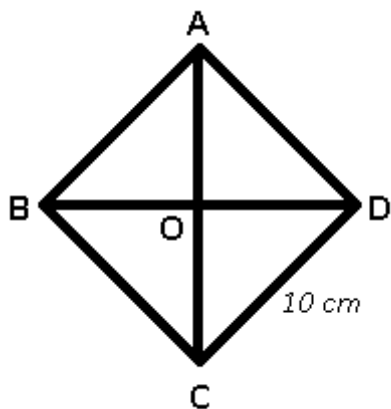
Question 66

One diagonal of a rhombus is half the other. If the length of the side of the rhombus is 10 cm, what is the area of the rhombus?

- A 40 sq cm
- B 20 sq cm
- C 100 sq cm
- D 80 sq cm

Answer: D

Explanation:



AC and BD are diagonals of the rhombus ABCD with side = 10 cm

One diagonal of a rhombus is half the other, let $AC = 4x$ cm

$$\Rightarrow BD = 2x \text{ cm}$$

Diagonal of a rhombus perpendicularly bisect each other.

$$\Rightarrow OD = x \text{ cm and } OC = 2x \text{ cm}$$

$$\text{In } \triangle OCD, \Rightarrow (OC)^2 + (OD)^2 = (CD)^2$$

$$\Rightarrow (2x)^2 + (x)^2 = (10)^2$$

$$\Rightarrow 4x^2 + x^2 = 100$$

$$\Rightarrow x^2 = \frac{100}{5} = 20$$

$$\therefore \text{Area of rhombus} = \frac{1}{2} \times \text{Product of diagonals}$$

$$= \frac{1}{2} \times 4x \times 2x$$

$$= 4x^2 = 4 \times 20 = 80 \text{ cm}^2$$

$$\Rightarrow \text{Ans - (D)}$$

SSC CGL Previous Papers (DOWNLOAD PDF)

Question 67

The curved surface area of a hemisphere is 110.88 sq cm, find its radius?

A 8.4 cm

B 1.4 cm

C 4.2 cm

D 2.1 cm

Answer: C

Explanation:

Let radius of hemisphere = r cm

$$\text{Curved surface area of hemisphere} = 2\pi r^2 = 110.88$$

$$\Rightarrow r^2 = \frac{110.88}{2\pi}$$

$$\Rightarrow r^2 = 55.44 \times \frac{7}{22}$$

$$\Rightarrow r^2 = 2.52 \times 7 = 17.64$$

$$\Rightarrow r = \sqrt{17.64} = 4.2 \text{ cm}$$

$$\Rightarrow \text{Ans - (C)}$$

Question 68

If $\tan -7\pi/4 = x$, then the value of x is

- A $-1/2$
- B $-\sqrt{3}/2$
- C $\sqrt{3}/2$
- D 1

Answer: D

Explanation:

Expression : $\tan -7\pi/4$

$$\because \tan(-x) = -\tan x$$

$$= -\tan\left(\frac{7\pi}{4}\right)$$

$$= -\left[\tan\left(2\pi - \frac{\pi}{4}\right)\right]$$

$$= -\left[-\tan\left(\frac{\pi}{4}\right)\right] = 1$$

=> Ans - (D)

Question 69

If $(\cot A \cot B + 1) / (\cot B - \cot A) = x$, then the value of x is

- A $\cot(A + B)$
- B $\cot(A - B)$
- C $\tan(A - B)$
- D $\tan(A + B)$

Answer: B

Explanation:

Expression : $(\cot A \cot B + 1) / (\cot B - \cot A) = x$

$$= \left(\frac{\cos A \cos B}{\sin A \sin B} + 1\right) \div \left(\frac{\cos B}{\sin B} - \frac{\cos A}{\sin A}\right)$$

$$= \left(\frac{\cos A \cos B + \sin A \sin B}{\sin A \sin B}\right) \div \left(\frac{\sin A \cos B - \cos A \sin B}{\sin A \sin B}\right)$$

$$= \left[\frac{\cos(A-B)}{\sin A \sin B}\right] \div \left[\frac{\sin(A-B)}{\sin A \sin B}\right]$$

$$= \left[\frac{\cos(A-B)}{\sin A \sin B}\right] \times \left[\frac{\sin A \sin B}{\sin(A-B)}\right]$$

$$= \frac{\cos(A-B)}{\sin(A-B)} = \cot(A - B)$$

=> Ans - (B)

SSC CGL Free Mock Test (Latest Pattern)

Downloaded From <https://cracku.in>

Question 70

On a certain Principal if the Simple interest for two years is Rs 2400 and Compound interest for the two years is Rs 2544, what is the rate of Interest?

- A 12 percent
- B 6 percent
- C 24 percent
- D 18 percent

Answer: A

Explanation:

Let the principal amount = $Rs.100x$ and rate of interest = $r\%$

Time period = 2 years

$$\text{Simple Interest} = \frac{P \times R \times T}{100} = 2400$$

$$\Rightarrow \frac{100x \times r \times 2}{100} = 2400$$

$$\Rightarrow 2rx = 2400$$

$$\Rightarrow x = \frac{2400}{2r} = \frac{1200}{r}$$

$$\text{Compound Interest} = P \left[\left(1 + \frac{R}{100} \right)^T - 1 \right] = 2544$$

$$\Rightarrow 100x \left[\left(1 + \frac{r}{100} \right)^2 - 1 \right] = 2544$$

$$\Rightarrow 100x \left[\left(1 + \frac{r^2}{100^2} + 2 \frac{r}{100} \right) - 1 \right] = 2544$$

$$\Rightarrow \left(100 \times \frac{1200}{r} \right) \left[\frac{r^2}{10000} + \frac{2r}{100} \right] = 2544$$

$$\Rightarrow 12r + 2400 = 2544$$

$$\Rightarrow 12r = 2544 - 2400 = 144$$

$$\Rightarrow r = \frac{144}{12} = 12\%$$

Question 71

If $2\sec^2 A = x$, then the value of x is

- A $1/(1 + \cos A) + 1/(1 - \cos A)$
- B $1/(1 + \tan A) + 1/(1 - \sin A)$
- C $1/(1 + \sin A) + 1/(1 - \sin A)$
- D $1/(1 + \cot A) + 1/(1 - \cos A)$

Answer: C

Explanation:

$$\text{Expression : } 2\sec^2 A = x$$

$$= \frac{2}{\cos^2 A} = \frac{1+1}{1-\sin^2 A}$$

Adding and Subtracting ($\sin A$) in the numerator

$$= \frac{(1+\sin A)+(1-\sin A)}{1-\sin^2 A}$$

$$= \frac{(1+\sin A)+(1-\sin A)}{(1-\sin A)(1+\sin A)}$$

$$= \frac{1+\sin A}{(1-\sin A)(1+\sin A)} + \frac{1-\sin A}{(1-\sin A)(1+\sin A)}$$

$$= \frac{1}{1-\sin A} + \frac{1}{1+\sin A}$$

=> Ans - (C)

Question 72

Read the data given in table and answer the questions

Division/STD	Boys	Girls
Div A/Standard 5	30	10
Div B/Standard 5	25	25
Div C/Standard 5	10	20
Div A/Standard 6	40	20
Div B/Standard 6	40	15
Div C/Standard 6	30	10

What is the ratio of boys to girls?

A 18 : 35

B 37 : 20

C 20 : 37

D 7 : 4

Answer: D

Explanation:

Total number of boys = 30 + 25 + 10 + 40 + 40 + 30 = 175

Total number of girls = 10 + 25 + 20 + 20 + 15 + 10 = 100

$$\Rightarrow \text{Required ratio} = \frac{175}{100}$$

$$= 7 : 4$$

=> Ans - (D)

SSC Stenographer Previous Papers (Latest Pattern)

Question 73

Read the data given in table and answer the questions

Marks	No of Students
40 and above	21
30 and above	45
20 and above	70
10 and above	83
0 and above	95

How many students have scored 20 or more but less than 40 ?

- A 49
- B 70
- C 45
- D 115

Answer: A

Explanation:

Number of students who scored :

$$40 \text{ and above} = 21$$

$$30 \text{ and above} = 45 - 21 = 24$$

$$20 \text{ and above} = 70 - 45 = 25$$

$$10 \text{ and above} = 83 - 70 = 13$$

$$0 \text{ and above} = 95 - 83 = 12$$

$$\Rightarrow \text{Students who have scored marks 20 or more but less than 40} = 25 + 24 = 49$$

$$\Rightarrow \text{Ans - (A)}$$

Question 74

Read the data and answer the questions|

GDP	Growth Rate per Year %
2011	3
2012	3
2013	-3
2014	7
2015	4

If the GDP of the country was \$4 trillion at the end of 2012, what was it at the beginning of 2014?

- A \$3.88 trillion
- B \$4.28 trillion
- C \$4.12 trillion
- D \$4.16 trillion

Answer: A

Explanation:

GDP at the beginning of 2014 is equal to the GDP at the end of 2013

=> GDP growth rate in 2013 = -3%

GDP at the end of 2012 = GDP at the beginning of 2013 = \$4 trillion

∴ GDP at the beginning of 2014 = $\frac{100-3}{100} \times 4$ trillion

= $\frac{97}{25} = \$3.88$ trillion

=> Ans - (A)

Question 75

Refer the below data table and answer the following Question.

Subjects	Marks Scored
English	70
Hindi	75
Maths	30
Science	75
Arts	60

Five points are to be deducted from this students average of marks scored because of poor attendance. What will be this student's net average marks scored?

- A 47

B 52

C 57

D 62

Answer: C

Explanation:

Total marks scored by the student = $70 + 75 + 30 + 75 + 60 = 310$

=> Average marks = $\frac{310}{5} = 62$

But due to poor attendance, 5 marks are deducted

∴ Net average = $62 - 5 = 57$

=> Ans - (C)

SSC GD Constable Free Mock Test (Latest Pattern)

English

Instructions

For the following questions answer them individually

Question 76

In the following question, out of the four alternatives, select the alternative which best expresses the meaning of the idiom/phrase.

to crack someone up

A to cheat on someone

B to make someone cry

C to make someone laugh

D to beat someone

Answer: C

SSC MTS Free Mock Test (Latest Pattern)

Question 77

Select the word with the correct spelling.

A scrooges

- B slippery
- C solitude
- D chilers

Answer: A

Question 78

Improve the bracketed part of the sentence The Kadampuzha Devi is (worth seeing temple) in Kerala.

- A one of the worth seeing temples
- B a temple worth seeing
- C a temple of worth being seen
- D no improvement

Answer: B

Question 79

Select the antonym of "humble"

- A diffident
- B tentative
- C obsequious
- D pretentious

Answer: D

SSC CPO Free Mock Test (Latest Pattern)

Question 80

In the following question, out of the four alternatives, select the alternative which best expresses the meaning of the idiom/phrase.

to cross your fingers

- A to get extremely confused over trivial decisions
- B to secretly wish bad for someone

C to refuse someone's request politely

D to hope that things will happen in the way that one wants them to happen

Answer: D

Question 81

In the following question, some part of the sentence may have errors. Find out which part of the sentence has an error and select the appropriate option. If a sentence is free from error, select 'No Error'.

The traveller took rest(A)/below the shade(B)/of a large Peepal tree.(C)/No error(D)

A A

B B

C C

D D

Answer: B

Question 82

Select the synonym of "elegantly"

A ineptly

B abominably

C shoddily

D gracefully

Answer: D

25 SSC CHSL MOCKS 149

Question 83

In the following question, a sentence has been given in Active/Passive voice. Out of four alternatives suggested, select the one, which best expresses the same sentence in Passive/Active voice.

Who ate the last pastry?

A The last pastry was eaten by whom?

B The last pastry was eaten by who?

- C The last pastry had been eaten by who?
- D The last pastry has been eaten by whom?

Answer: A

Question 84

In the following question, the sentence given with blank to be filled in with an appropriate word. Select the correct alternative out of the four and indicate it by selecting the appropriate option.

We captured the gymnast's _____ acrobatic feats on camera.

- A superlative
- B tremendous
- C wondrous
- D valued

Answer: C

Question 85

Select the antonym of "to grumble"

- A to snivel
- B to kvetch
- C to compliment
- D to squawk

Answer: C

SSC CHSL Important Questions and Answers (Download PDF)

Question 86

Select the word with the correct spelling.

- A varieties
- B varicose
- C wrangler

D serenity

Answer: B

Question 87

In the following question, the sentence given with blank to be filled in with an appropriate word. Select the correct alternative out of the four and indicate it by selecting the appropriate option.

Janice was _____ when her husband abruptly announced that their marriage was over.

A ravaged

B spoiled

C wasted

D devastated

Answer: D

Question 88

In the following question, some part of the sentence may have errors. Find out which part of the sentence has an error and select the appropriate option. If a sentence is free from error, select 'No Error'.

She said a number of lies(A)/and left without(B)/completing her work.(C)/No error(D)

A A

B B

C C

D D

Answer: A

SSC CHSL Free Videos (Youtube)

Question 89

Select the synonym of "perplexity"

A empathy

B amicability

C puzzlement

D concordantly

Answer: C

Question 90

Rearrange the parts of the sentence in correct order.

This is what comes

P-who sits below the Finance Minister

Q-and not consulting the economist

R-out of not knowing economics

A QRP

B RQP

C PRQ

D PQR

Answer: B

Question 91

In the following question, out of the four alternatives, select the alternative which is the best substitute of the phrase.

To make a person or animal go away by waving one's arms at them

A to scam

B to shoo

C to vamoose

D to scoot

Answer: B

SSC CHSL Syllabus

Question 92

Improve the bracketed part of the sentence.

They were angry because they realised that they (have had been cheated).

A had been cheated

B were cheated

- C are cheated
- D no improvement

Answer: A

Question 93

Rearrange the parts of the sentence in correct order.

- The pith helmets
- P-gone, but the blood
- Q-has never dried
- R-may have long

- A RPQ
- B RQP
- C PQR
- D QPR

Answer: A

Question 94

In the following question, out of the four alternatives, select the alternative which is the best substitute of the phrase.

to expel someone from a position or place.

- A to oust
- B to disinherit
- C to chase
- D to relegate

Answer: A

SSC CHSL Expected Cutt off

Question 95

In the following question, a sentence has been given in Direct/Indirect speech. Out of the four alternatives suggested, select the one, which best express the same sentence in Indirect/Direct speech.

The professor said to the students, 'Do not make a noise.'

- A The professor forbade the students from making a noise.
- B The professor told the students not to make a noise.
- C The professor forbade the students saying they should not be making a noise.
- D The professor tells the students not to make a noise.

Answer: A

Instructions

In the following passage, some of the words have been left out. Read the passage carefully and select the correct answer for the given blank out of the four alternatives.

The spectre of growing cyber threat demands changes in the _____ of users of systems, a _____ approach to investment in hardening systems, better training _____ computer security practices, and careful engineering of things to be connected to networks. Almost certainly it would _____ that certain critical computers and controls are unhooked from the network, a _____ known as 'air gapping'.

Question 96

The spectre of growing cyber threat demands changes in the _____ of users of systems

- A attitude
- B look out
- C decision
- D feeling

Answer: A

Question 97

a _____ approach to investment in hardening systems

- A lazy
- B lethargic
- C inactive
- D proactive

Answer: D

SSC CHSL Study Material

Question 98

better training _____ computer security practices

- A at
- B for
- C in
- D into

Answer: C

Question 99

Almost certainly it would _____ that certain critical computers and controls are unhooked from the network

- A produce
- B mean
- C represent
- D characterise

Answer: B

Question 100

a _____ known as 'air gapping'.

- A utility
- B use
- C mode
- D practice

Answer: D

SSC CHSL Free App

SSC CHSL Free Mock Test

SSC CHSL Previous Papers (DOWNLOAD PDF)

SSC CGL MTS Previous Papers (DOWNLOAD PDF)

SSC CGL GD Constable Previous Papers (DOWNLOAD PDF)

SSC Stenographer Previous Papers (DOWNLOAD PDF)

SSC CGL Previous Papers (DOWNLOAD PDF)

SSC CGL Free Mock Test (Latest Pattern)

SSC Stenographer Previous Papers (Latest Pattern)

SSC GD Constable Free Mock Test (Latest Pattern)

SSC MTS Free Mock Test (Latest Pattern)

SSC CPO Free Mock Test (Latest Pattern)

25 SSC CHSL MOCKS 149

SSC CHSL Important Questions and Answers (Download PDF)

SSC CHSL Free Videos (Youtube)

SSC CHSL Syllabus

SSC CHSL Expected Cutt off

SSC CHSL Study Material

SSC CHSL Free App

